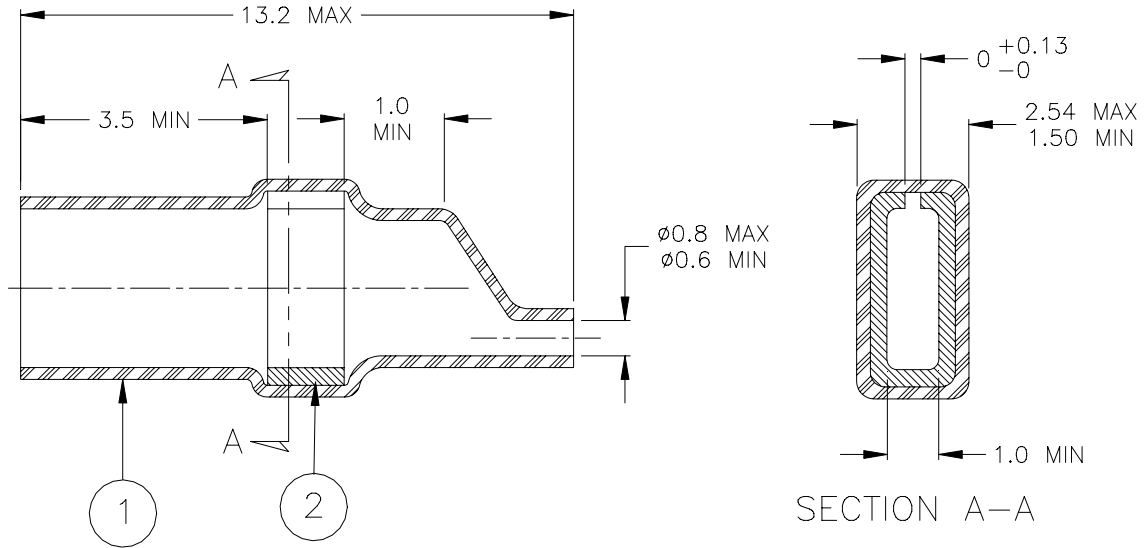


SPECIFICATION CONTROL DRAWING



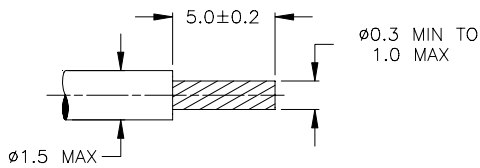
MATERIAL

1. INSULATION SLEEVE: Heat-shrinkable, transparent blue, radiation cross-linked modified polyvinylidene fluoride.
2. SOLDER PREFORM WITH FLUX:
 SOLDER: TYPE Sn63 per ANSI J-STD-006.
 FLUX: TYPE ROL1 per ANSI J-STD-004.

APPLICATION

1. This controlled soldering device is used to connect wires, ranging from AWG 22 to AWG 26, rated at 125°C and above, to 0.6 or 0.8 diameter pins.
2. Temperature range: -55°C to +125°C.

For best results, prepare the wire as shown:



Raychem Interconnect <small>a division of tyco Electronics</small> 300 Constitution Drive Menlo Park, CA 94025, USA		THERMOFIT DEVICES	TITLE : SOLDERSLEEVE DEVICE				
UNLESS OTHERWISE SPECIFIED DIMENSIONS ARE IN MILLIMETERS. INCHES DIMENSIONS ARE BETWEEN BRACKETS.			DOCUMENT NO.: B-802-06				
TOLERANCES: 0.00 N/A 0.0 N/A 0 N/A	ANGLES: N/A ROUGHNESS IN MICRON	Raychem reserves the right to amend this drawing at any time. Users should evaluate the suitability of the product for their application.	DCR NUMBER: D001326	REPLACES: N/A			
DRAWN BY: M. FORONDA	DATE: 27-Dec.-00	PROD. REV. H	DOC ISSUE: 2	SCALE: None	SIZE: A	SHEET: 1 of 1	

If this document is printed it becomes uncontrolled. Check for the latest revision.