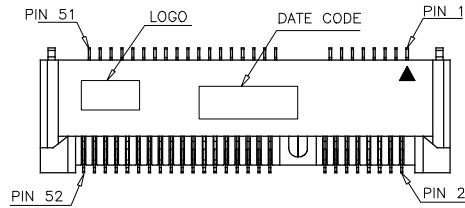


PRODUCT NUMBER

10123919-XXXLF



MATERIAL

HOUSING : THERMO PLASTIC UL94V-0 BLACK  
CONTACT : COPPER ALLOY  
PEG : COPPER ALLOY

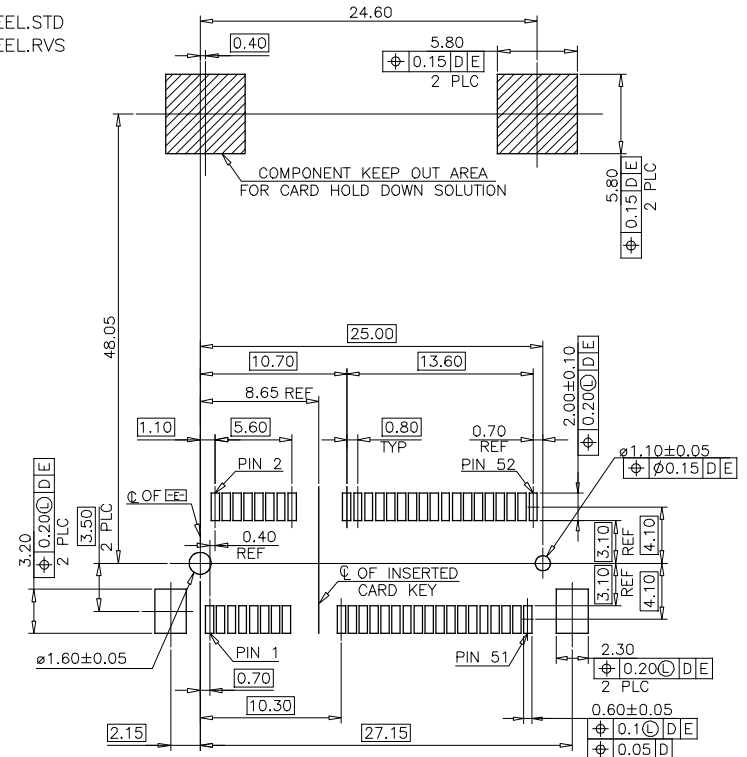
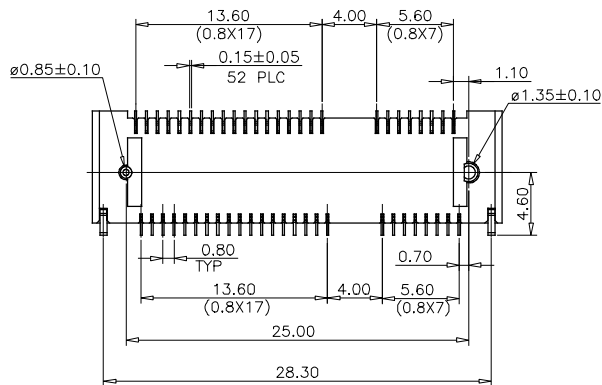
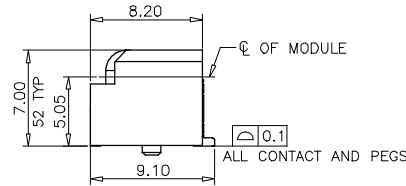
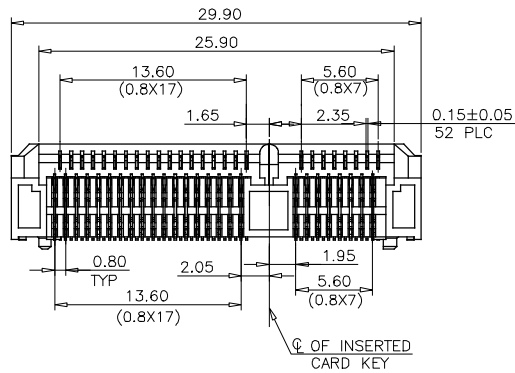
PART NO. SCHEMATIC: 10123919 - XX X LF

TERMINAL PLATING \_\_\_\_\_ PACKING \_\_\_\_\_  
00: NO PLATING \_\_\_\_\_ 0: TAPE&REEL.STD  
G2: GOLD FLASH 1~3 μm OVER Ni 50~100 μm 1: TAPE&REEL.RVS  
A2: CONTACT AREA AND SOLDER AREA :  
SELECTION GOLD 1 μm OVER Ni 50~100 μm  
A7: CONTACT AND SOLDER TAIL AREA GOLD PLATING  
10 μm MIN OVER Ni 50~100 μm  
G7: GOLD FLASH 10 μm OVER Ni 50~100 μm MIN

PRODUCT SPEC.: GS-12-1111  
PACKAGE SPEC.: GS-14-2284

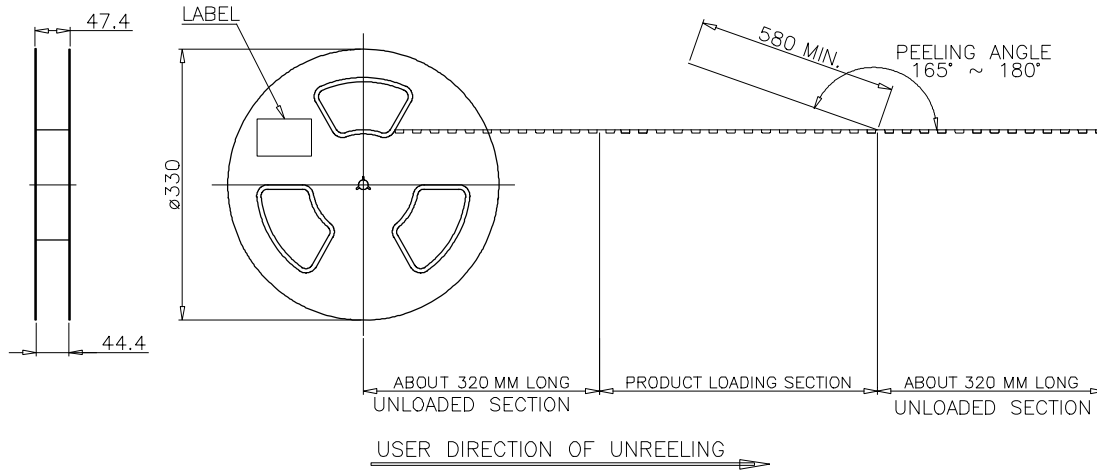
THIS PRODUCT MEETS EUROPEAN UNION DIRECTIVES AND OTHER COUNTRY REGULATIONS AS DESCRIBED IN GS-47-0004

THE HOUSING WILL WITHSTAND EXPOSURE TO 260°C PEAK TEMPERATURE FOR 10 SECONDS IN A CONVECTION, IR OR VAPER PHASE REFLOW OVEN.



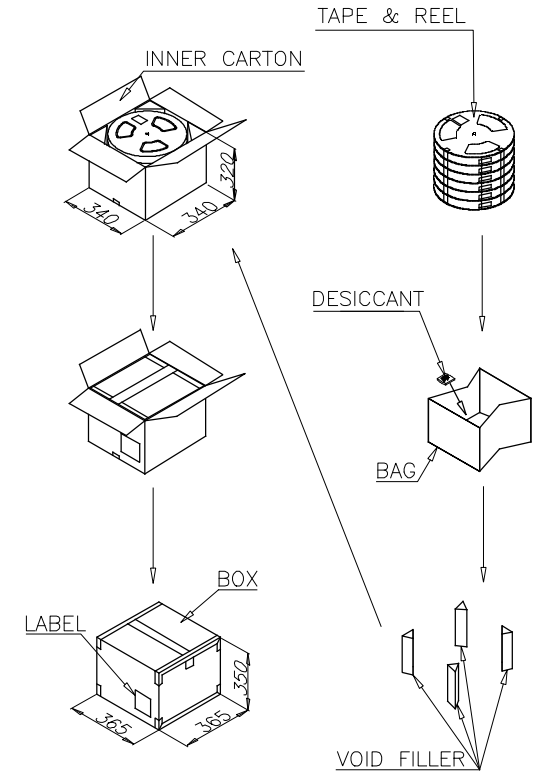
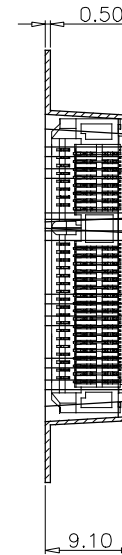
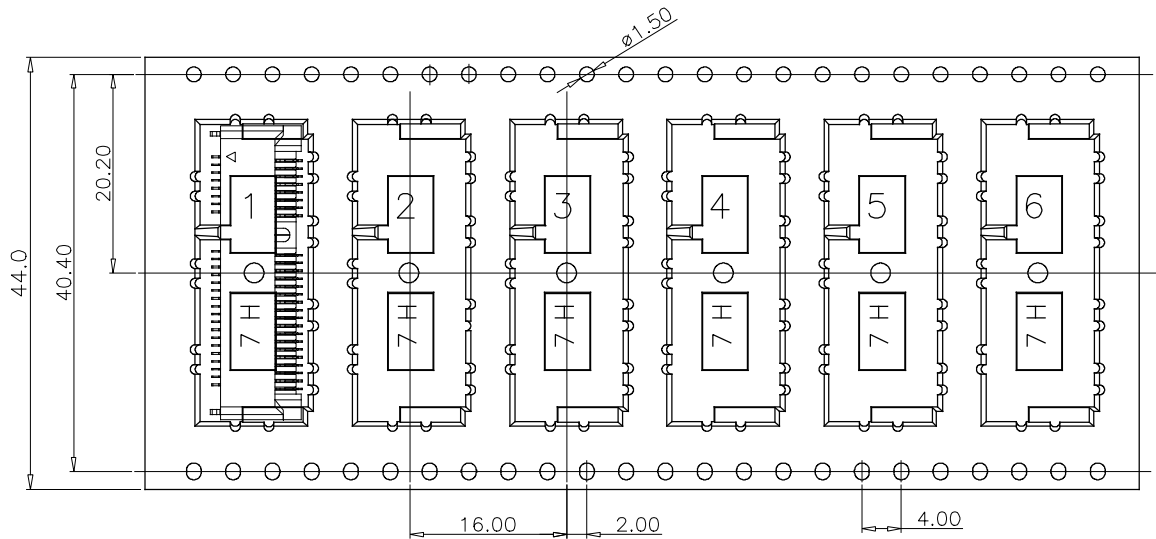
-D- IS THE TOP SURFACE OF PCB.  
RECOMMENDED P.C.BOARD PATTERN LAYOUT

mat'l. code		surface		tolerance ASME Y14.5		projection		product family	
ltr ecn no dr date		tolerances unless otherwise specified		angles		MM		title	
A		TAI	2013-02-23	0.1	X.X ± 0.30	← →		0.80MM PITCH MINI PCI EXPRESS HIGH=7.0mm 52 PIN CONNECTOR	
				0.2	X.XX ± 0.20	← →		sheet 1 of 3 size	
				0.5	X.XXX ± 0.15	← →		A4	
				1		← →		type	
				2		← →		CUSTOMER Drawing	
				3		← →		sheet 1 of 3 size	
						← →		A4	
						← →		type	
						← →		CUSTOMER Drawing	
sheet index	revision sheet	A	A	A					
		1	2	3					

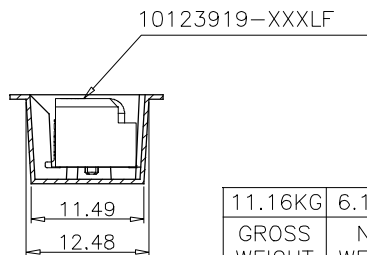


NOTES:

- MATERIAL:  
BOX: FIBREBOARD, CORRUGATED, DOUBLE WALL.  
COVER TAPE: PET, 120°C HEAT-RESISTANT TEMPERATURE, TRANSPARENT COLOR.  
CARRIER TAPE: POLYSTYRENES, 120°C HEAT-RESISTANT TEMPERATURE, TRANSPARENT COLOR.  
REEL: HIPS, 70°C HEAT-RESISTANT TEMPERATURE, BLUE COLOR.  
BAG: POLYETHYLENES, 100°C HEAT-RESISTANT TEMPERATURE, TRANSPARENT COLOR.
- EACH BAG SHALL BE INCLUDED DESICCANT.
- PEELING STRENGTH: 0.1 ~ 1.3 N (10 ~ 130 GRAMS).
- PEELING SPEED: 300 mm/min.

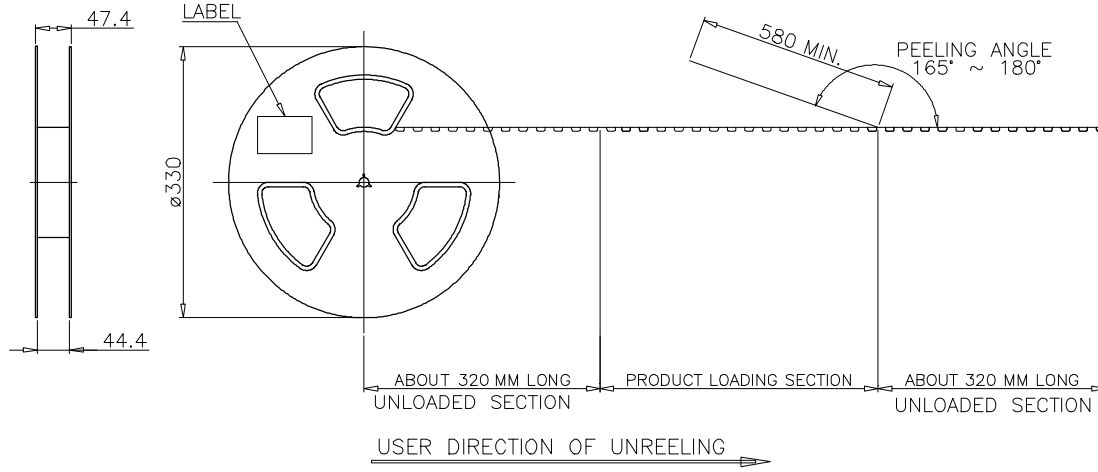


STANDARD TAPE & REEL  
(FOR -XXOLF)



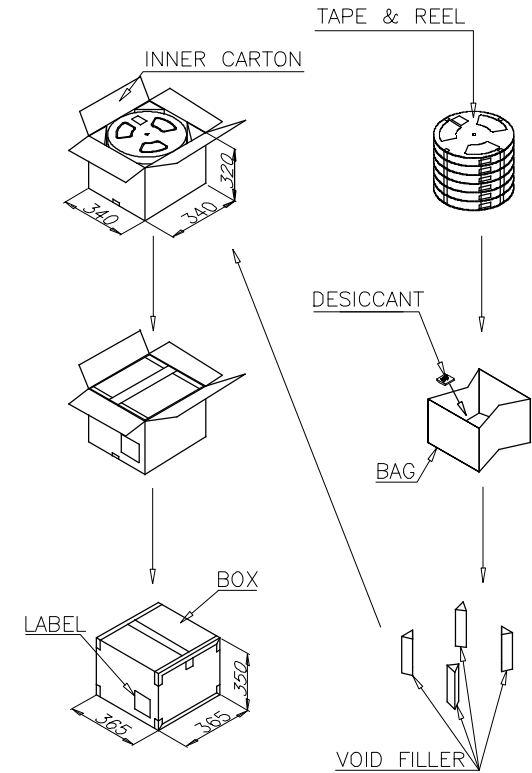
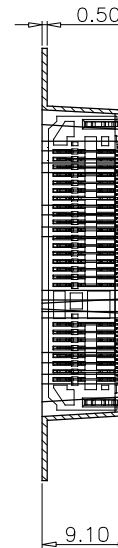
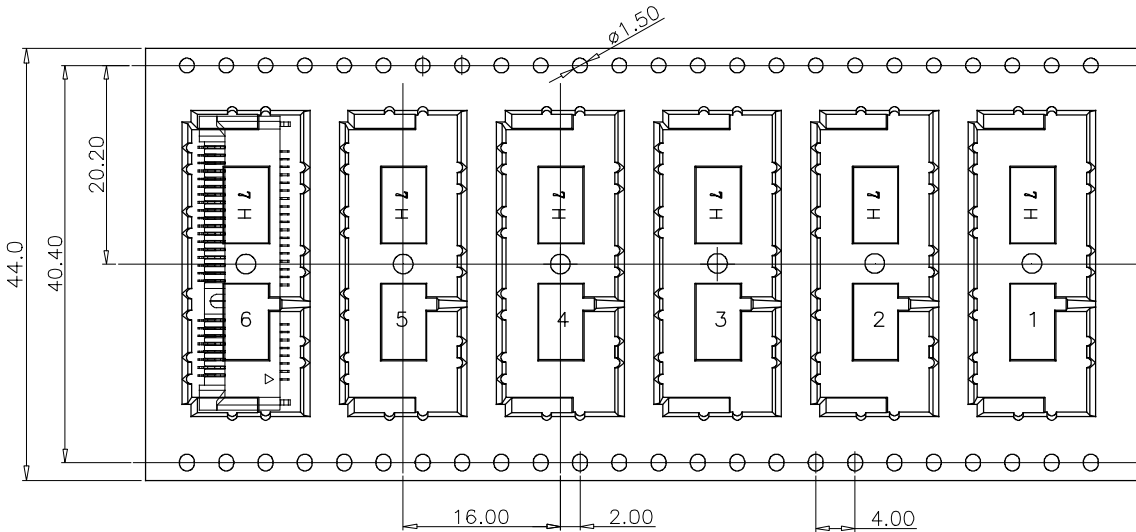
	11.16KG	6.16KG	450	6	2700
GROSS WEIGHT	NET WEIGHT	PCS/ REEL	REEL/ BOX	PCS/ BOX	

mat'l. code		surface		tolerance ASME Y14.5		projection		product family	
ltr ecn no dr date		tolerances unless otherwise specified		angles		MM		title	
A		TAI	2013-02-23	0.1	X.X ± 0.30	←→		0.80MM PITCH MINI PCI EXPRESS HIGH=7.0mm 52 PIN CONNECTOR	
				0.2	X.XX ± 0.20	scale		dwg no	
				X*±4'	X.XXX ± 0.15			sheet 2 of 3 size	
				dr	KENNY TAI	2013-02-23		A4	
				enr	KENNY TAI	2013-02-23		10123919	
				chr	KENNY TAI	2013-02-23		type	
				appd	PM ZHENG	2013-02-27		CUSTOMER Drawing	
sheet index	revision sheet	A	A	A					
		1	2	3					

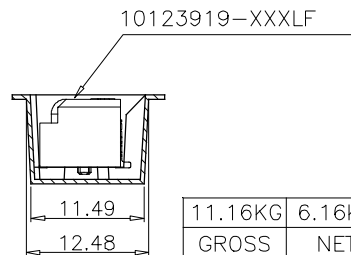


NOTES:

1. MATERIAL:  
 BOX: FIBREBOARD, CORRUGATED, DOUBLE WALL.  
 COVER TAPE: PET, 120C° HEAT-RESISTANT TEMPERATURE, TRANSPARENT COLOR.  
 CARRIER TAPE: POLYSTYRENES, 120C° HEAT-RESISTANT TEMPERATURE, TRANSPARENT COLOR.  
 REEL: HIPS, 70C° HEAT-RESISTANT TEMPERATURE, BLUE COLOR.  
 BAG: POLYETHYLENES, 100C° HEAT-RESISTANT TEMPERATURE, TRANSPARENT COLOR.
2. EACH BAG SHALL BE INCLUDED DESICCANT.
3. PEELING STRENGTH: 0.1 ~ 1.3 N (10 ~ 130 GRAMS).
4. PEELING SPEED: 300 mm/min.



REVERSE TAPE & REEL  
(FOR -XX1LF)



11.16KG	6.16KG	450	6	2700
GROSS WEIGHT	NET WEIGHT	PCS/ REEL	REEL/ BOX	PCS/ BOX

mat'l. code		surface		tolerance ASME Y14.5		projection		product family	
ltr	ecn no	dr	date	tolerances unless otherwise specified		MM		title	
A		TAI	2013-02-23	angles	X.X ± 0.30	← →		0.80MM PITCH MINI PCI EXPRESS HIGH=7.0mm 52 PIN CONNECTOR	
				flat	X.XX ± 0.20	scale		dwg no	
				X*±4'	X.XXX ± 0.15			sheet 3 of 3 size	
				dr	KENNY TAI	2013-02-23		A4	
				enr	KENNY TAI	2013-02-23		10123919	
				chr	KENNY TAI	2013-02-23		type	
				appd	PM ZHENG	2013-02-27		CUSTOMER Drawing	
sheet index	revision sheet	A	A	A					
		1	2	3					