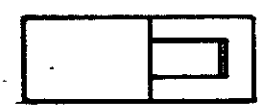
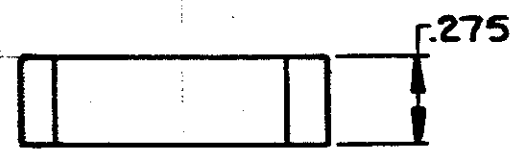
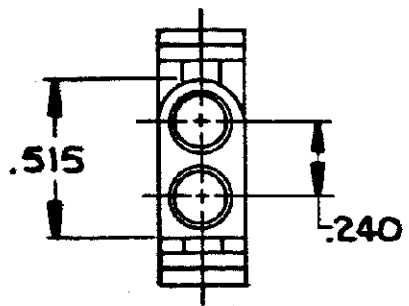
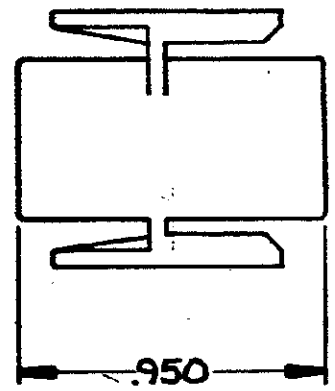
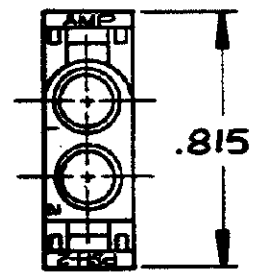


DRAWING MADE IN THIRD ANGLE PROJECTION

THIS DRAWING IS UNPUBLISHED. RELEASED FOR PUBLICATION  
 © COPYRIGHT

1 LOC CM DIST 53

REVISIONS						
P	F	ZONE	LTR	DESCRIPTION	DATE	APPROVED
	✓		D1	REVISED PER ECO-11-005294	07 APR 11	HMR



OPTIONAL CONSTRUCTION

- 2. ACCEPTS .140 SERIES SOCKETS.
- 3. MATES WITH CAP 350345.

1-350344-0

PART NO

UNLESS OTHERWISE SPECIFIED DIMENSIONS ARE IN INCHES. TOLERANCES ON: DECIMALS ± .005 ANGLES ±	CONTRACT NO	TE Connectivity	
	DS <i>Whitaker 7-29-86</i> CHW <i>R. Spring 9-2-86</i> APPD <i>M. Spa 9-2-86</i> APPD		
MATERIAL	NYLON UL94V-2	PLUG, 2 CIRCUIT, .140 MATE-N-LOK	
COLOR	NATURAL	SIZE	FSCM NO <b>B</b> 00779
		DRAWING NO	<b>350344</b>
		SCALE	2:1
		SHEET	1 OF 1

CUSTOMER DRAWING