

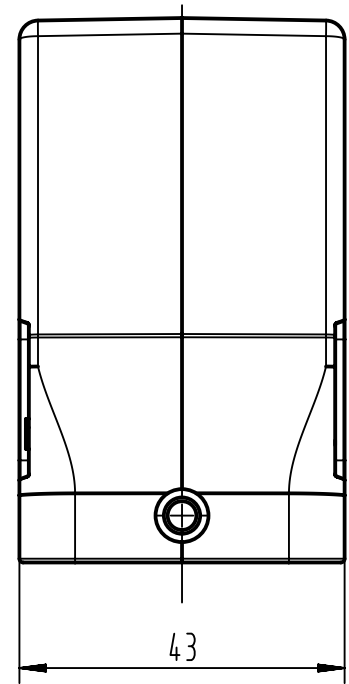
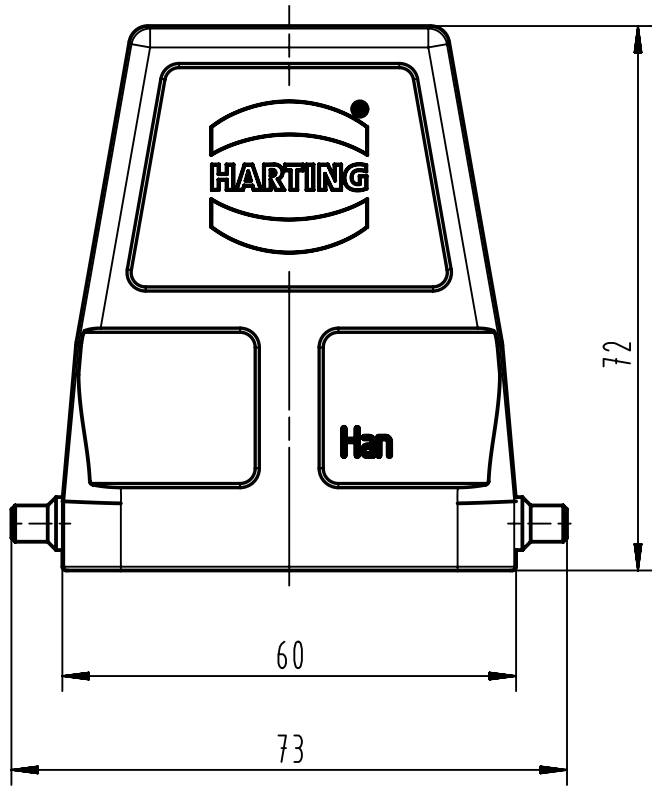
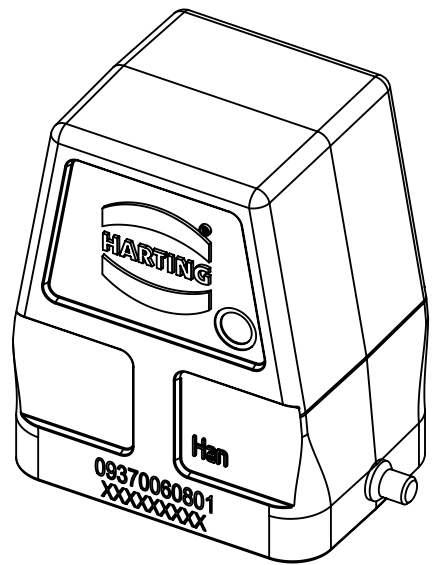
1 2 3 4 5 6

A

B

C

D



	All Dimensions in mm Original Size DIN A4	Scale 1:1		Free size tol.		Ref.	
						Sub.	
	All rights reserved Department EL PD - DE	Created by SCHULZI	Inspected by BERGHORN	Standardisation TIEMANNA	Date 2013-03-27	State Final Release	
		Title Han 6M hood HC w/o PG					Doc-Key / ECM-Nr. 100530761/UGD/007/A
HARTING Electric GmbH & Co. KG D-32339 Espelkamp		Type TB	Number 09 37 006 0801			Rev. A	Page 1/1