

PLEASE CHECK WWW.MOLEX.COM FOR LATEST PART INFORMATION

Part Number: [62201-7400](#)
Status: **Active**
Description: Manual Arbor Press, RAST 2.5

Documents:
[RoHS Certificate of Compliance \(PDF\)](#)

General

| | |
|--------------------------------|--|
| Product Family | Application Tooling |
| Series | T1324 |
| Function | Insulation Displacement (IDT) |
| Geographic Area | Global |
| Level of Automation | Manual |
| More Detailed Tech Information | applicationtooling@molex.com |
| Product Name | RAST 2.5 |
| Survey | www.molex.com//review/apptool_survey.html |
| Tool Type | Handtool |
| UPC | 800756045252 |

Physical

| | |
|------------|------------|
| Net Weight | 1850.000/g |
|------------|------------|

Material Info

Reference - Drawing Numbers

| | |
|-------------------------------|--------------|
| Application Tooling Documents | TM-622017400 |
|-------------------------------|--------------|

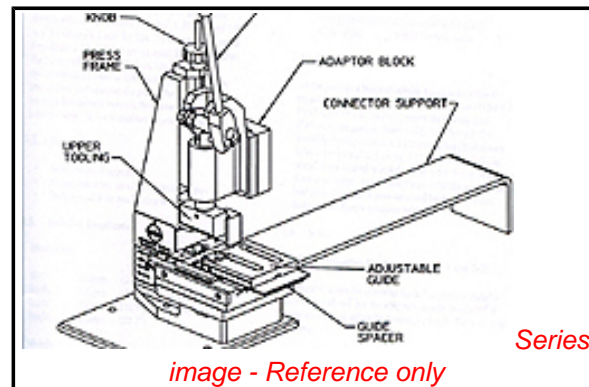


image - Reference only

| | |
|----------------|-------------------|
| EU RoHS | China RoHS |
|----------------|-------------------|

Compliance Status

Not Reviewed

REACH SVHC

Not Reviewed

Low-Halogen Status

Not Reviewed

Need more information on product environmental compliance?

Email productcompliance@molex.com
 For a multiple part number RoHS Certificate of Compliance, [click here](#)

Please visit the [Contact Us](#) section for any non-product compliance questions.

Search Parts in this Series

T1324Series

| Application Tooling Description | FAQ Product # |
|---|---------------|
| 5.00mm Appli-Mate RAST 2.5 IDT Housing, Direct/ Indirect, Female, 3 Circuits, Fully Coded | 0917171001 |
| 5.00mm Appli-Mate RAST 2.5 IDT Housing, Direct/ Indirect, Female, 6 Circuits, Fully Coded | 0917174001 |
| 5.00mm Appli-Mate RAST 2.5 IDT Housing, Direct/ Indirect, Female, 7 Circuits | 0917175001 |
| 5.00mm Appli-Mate RAST 2.5 IDT Housing, Direct/ Indirect, Female, 8 Circuits, Fully Coded | 0917176001 |

| | |
|--|------------|
| 5.00mm Appli- Mate RAST 2.5 IDT Housing, Direct/ Indirect, Female, 4 Circuits, Fully Coded | 0917172001 |
| 5.00mm Appli- Mate RAST 2.5 IDT Housing, Direct/ Indirect, Female, 2 Circuits, Fully Coded | 0917170002 |
| 5.00mm Appli- Mate RAST 2.5 IDT Housing, Direct/ Indirect, Female, 5 Circuits, Fully Coded | 0917173001 |

This document was generated on 10/05/2012

PLEASE CHECK WWW.MOLEX.COM FOR LATEST PART INFORMATION