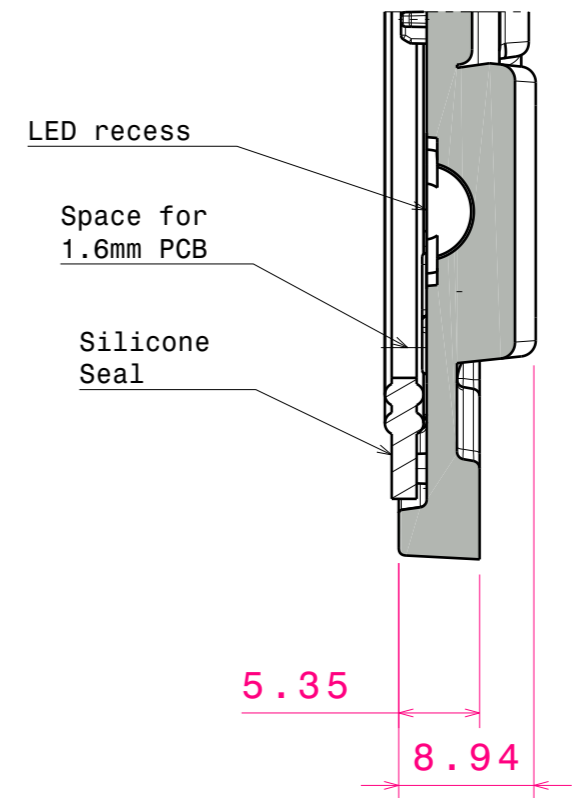
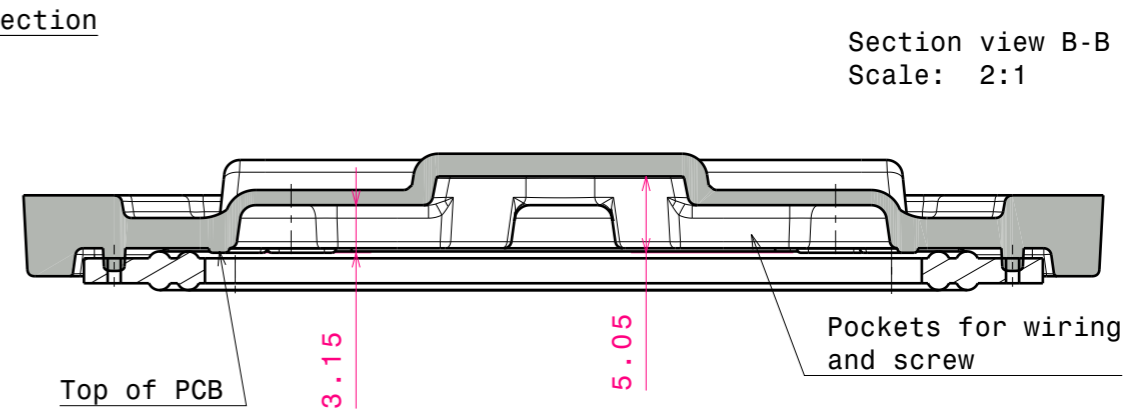


Section view A-A
Scale: 2:1



Section view B-B
Scale: 2:1



INDEX	PART NO	DESCRIPTION	MATERIAL	COLOUR
1	C15670	STRADA-IP-2X6-DWC-B	PMMA	
2	C14018	2X6-SEAL25	Silicone	

Tolerances if not otherwise shown
According to DIN ISO 2768-1
Linear measures:
Up to 30mm class M, otherwise class C.
According to DIN ISO 2768-2
Form and position: class L

LEDiL LediL Oy
Salorankatu 10
FIN 24240 SALO
Finland

THIRD ANGLE PROJECTION:

DRAWING TITLE
CS15671_STRADA-IP-2X6-DWC-B

This drawing is the property of LEDiL Oy. It may not be reproduced, copied or communicated without a written agreement with LEDiL Oy.

SIZE PART NUMBER
A3 CS15671

SCALE 1:1 WEIGHT 47,2 SHEET 1/1