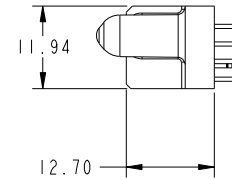
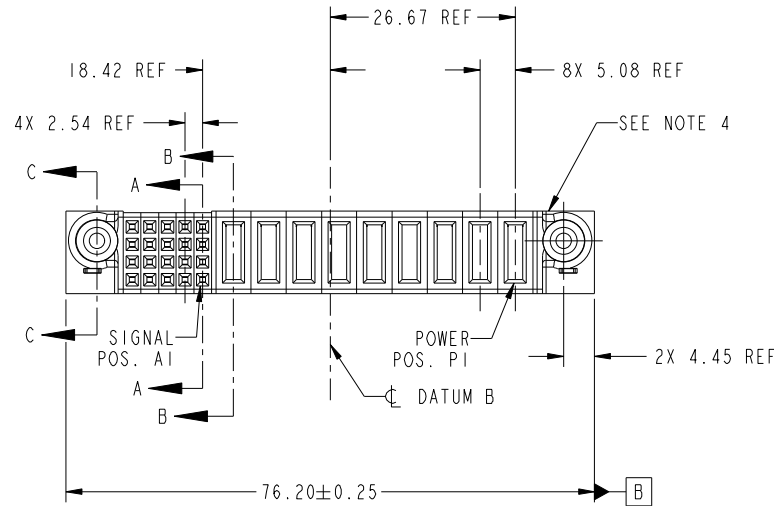


Tous droits strictement réservés. Reproduction ou communication a des tiers interdite sous quelque forme que ce soit sans autorisation écrite du propriétaire. Propriété de c FCI. Droits de reproduction FCI.



All rights strictly reserved. Reproduction or issue to third parties in any form whatever is not permitted without written authority from the proprietor. Property of FCI. Copyright FCI.

PRODUCT NO.	ROWS	SIGNAL					POWER					E1					
		E2	5	4	3	2	1	P9	P8	P7	P6		P5	P4	P3	P2	P1
51940-237-- NOTE: 3	D C B A		E	E	E	E	E	PA	PA	PA	X	PA	X	PA	X	PA	



CODE	DIM "M" MATING LENGTH	CONTACT TYPE
E	[N/A]	SIGNAL
PA	[1.07]	POWER
HA	[N/A]	HOLD-DOWN
X	OMITTED	

mat'l code				SEE NOTES 2		tolerances unless otherwise specified		CUSTOMER		 www.fciconnect.com	
ltr	ecn no.	dr	date	linear	0.X ± 0.3	projection		COPY		title	
A	DG07-0408	SH	10/17/07		0.XX ± 0.13					9P + 20S VERTICAL SOLDER RECEPT	
B	DG08-0042	SH	02/21/08	angles	0.XXX ± 0.051					product family PwrBlade code 213	
				dr	Sincere He 09/28/07	scale		size		dwg no	
				enr	Sincere He 10/17/07	1:1		A		51940-237	
				chr	Gary Hsieh 09/28/07					sheet 1 of 4	
				appd	Joseph Hsia 09/28/07						
sheet index	revision sheet	B 1	B 2	B 3	B 4						

cage code 22526

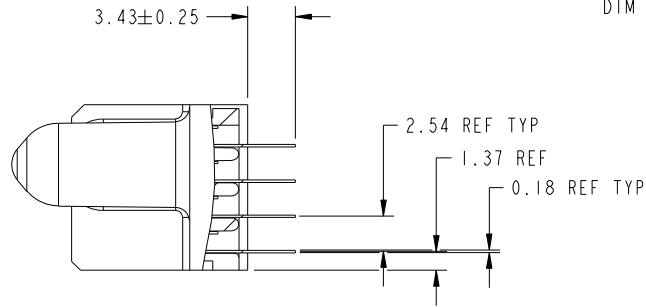
Pro/E

Tous droits strictement reserves. Reproduction ou communication a des tiers interdite sous quelque forme que ce soit sans autorisation écrite du propriétaire. Propriete de c FCI. Droits de reproduction FCI.

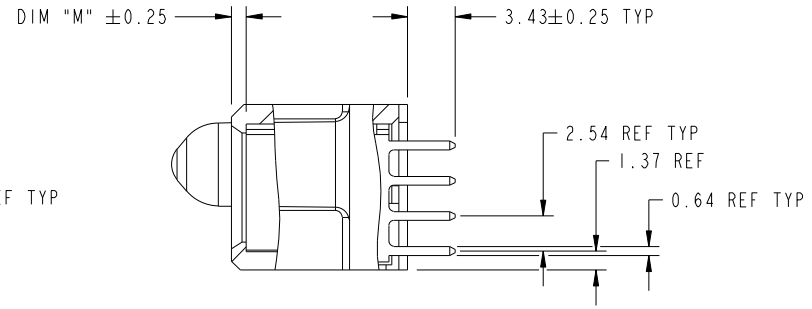


All rights strictly reserved. Reproduction or issue to third parties in any form whatever is not permitted without written authority from the proprietor. Property of FCI. Copyright FCI.

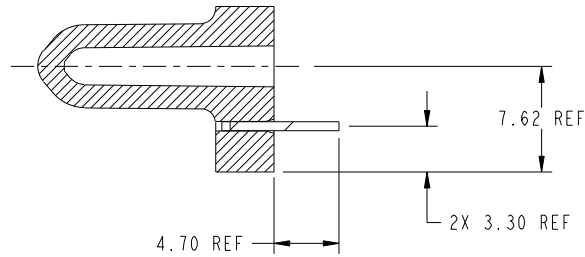
PRODUCT NUMBER
51940-237__
NOTE: 3



SECTION A-A
SCALE 2:1



SECTION B-B
SCALE 2:1



SECTION C-C
SCALE 2:1

mat'l code		SEE NOTES 2		tolerances unless otherwise specified		CUSTOMER		www.fciconnect.com	
ltr	ecn no.	dr	date	linear	0.X ±0.3	COPY		title	
B					0.XX ±0.13	projection		9P + 20S	
				angles	0.XXX ±0.051			VERTICAL SOLDER RECEPT	
				dr	Sincere He 09/28/07			product family PwrBlade code 213	
				enr	Sincere He 10/17/07	size		sheet	
				chr	Gary Hsieh 09/28/07	scale		2 of 4	
				appd	Joseph Hsia 09/28/07	1:1		51940-237	
sheet index	revision sheet								

cage code 22526

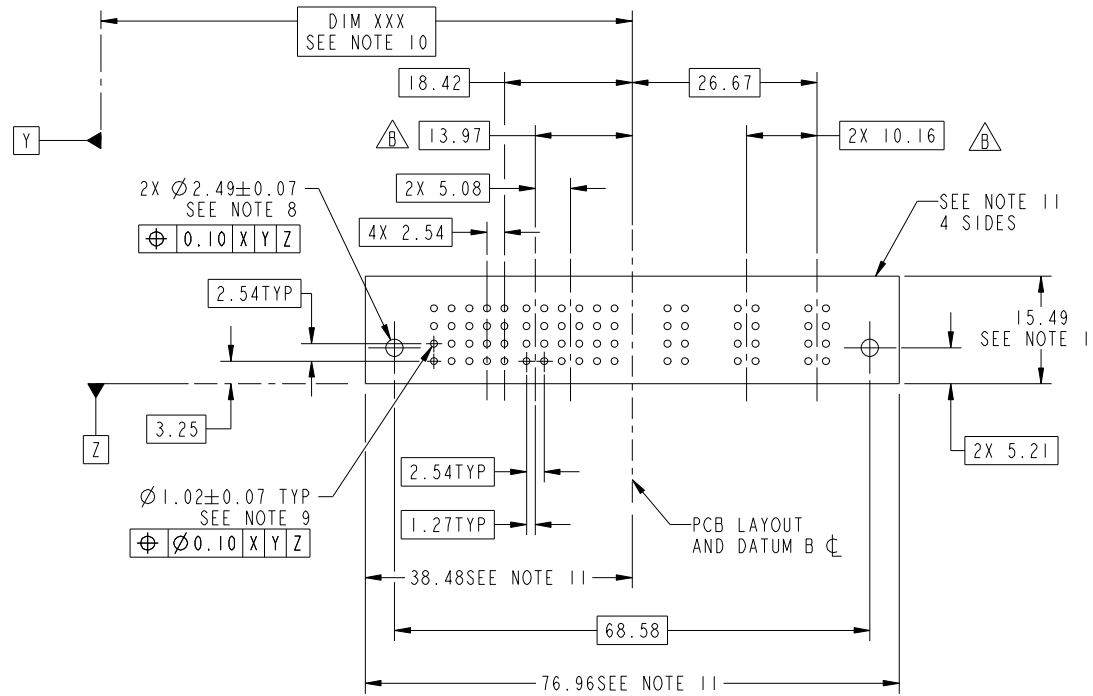
Pro/E

Tous droits strictement reserves. Reproduction ou communication a des tiers interdite sous quelque forme que ce soit sans autorisation écrite du propriétaire. Propriete de c FCI. Droits de reproduction FCI.



All rights strictly reserved. Reproduction or issue to third parties in any form whatever is not permitted without written authority from the proprietor. Property of FCI. Copyright FCI.

PRODUCT NUMBER
51940-237__
NOTE: 3



RECOMMENDED PCB LAYOUT

mat'l code				SEE NOTES 2		tolerances unless otherwise specified		CUSTOMER		FCI	
ltr	ecn no.	dr	date	linear	0.X ± 0.3	COPY		www.fciconnect.com		title	
B					0.XX ± 0.13	projection		9P + 20S		VERTICAL SOLDER RECEPT	
				angles	0.XXX ± 0.051	MIM		product family		PwrBlade	
				dr	Sincere He 09/28/07	scale		size		code	
				enr	Sincere He 10/17/07	1:1		dwg no		213	
				chr	Gary Hsieh 09/28/07			51940-237		sheet	
				appd	Joseph Hsia 09/28/07			A		3 of 4	
sheet index		revision sheet									

cage code 22526

Pro/E

Tous droits strictement reserves. Reproduction ou communication a des tiers interdite sous quelque forme que ce soit sans autorisation écrite du propriétaire. Propriete de c FCI. Droits de reproduction FCI.

All rights strictly reserved. Reproduction or issue to third parties in any form whatever is not permitted without written authority from the proprietor. Property of FCI. Copyright FCI.



PRODUCT NUMBER
51940-237--
NOTE: 3

NOTES:

1. DIMENSIONS AND TOLERANCES ARE IN ACCORDANCE WITH ASME Y14.5M, 1994 UNLESS OTHERWISE SPECIFIED.

CONNECTOR NOTES:

- ② HOUSING MATERIAL: UL 94 V-0 GLASS FILLED
HIGH-TEMP THERMOPLASTIC
POWER CONTACT MATERIAL: COPPER ALLOY
SIGNAL PIN MATERIAL: COPPER ALLOY
- 3. PLATING SPEC.
51940-237, 51940-237LF PLATING SPEC. WAS SHOWN IN THE PRINT OF 10064183.
- ④ MANUFACTURER'S NAME, P/N, AND DATE CODE TO APPEAR ON THIS SURFACE.
- 5. PRODUCT SPECIFICATION GS-12-149.
APPLICATION SPECIFICATION BUS-20-067.
- 6. PACKAGED IN TRAYS.

PCB NOTES:

- 7. ALL HOLE DIAMETERS ARE FINISHED HOLE SIZE.
- ⑧ MOUNTING HOLES, WHERE APPLICABLE, ARE UNPLATED.
- ⑨ $\varnothing 1.151 \pm 0.025$ DRILLED HOLES PLATED WITH
0.008 MIN SnPb OR Sn OVER 0.03
TO 0.08 Cu PLATING TO ACHIEVE
 $\varnothing 1.02 \pm .07$ HOLE.
- ⑩ "DIM XXX" TO BE DETERMINED BY THE CUSTOMER.
- ⑪ CONNECTOR KEEP-OUT ZONE.
- 12: A SYMBOL WILL BE NEXT TO ANY DIMENSION, VIEW, OR NOTE WHICH HAS BEEN MODIFIED WITH CURRENT DRAWING REVISION.

mat'l code				SEE NOTES 2		tolerances unless otherwise specified		CUSTOMER		FCI		www.fciconnect.com			
ltr	ecr no.	dr	date	linear	0.X ± 0.3		COPY		projection	title					
B					0.XX ± 0.13		MIM			9P + 20S VERTICAL SOLDER RECEIPT					
					0.XXX ± 0.051		MIM			product family		PwrBlade		code	
				angles	0° ± 2°		← MIM →		size		dwg no		213		
				dr	Sincere He	09/28/07	scale		A		51940-237		sheet		
				enr	Sincere He	10/17/07	1:1						4 of 4		
				chr	Gary Hsieh	09/28/07									
				appd	Joseph Hsia	09/28/07									
sheet index		revision sheet													

cage code 22526

Pro/E