

PART NAME: KNOB

SCALE: 1:1

DATE: 6/20/11

DR. BY: JAM

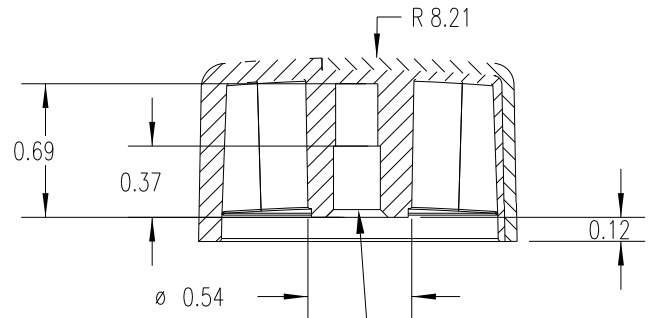
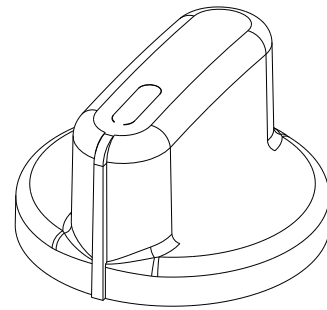
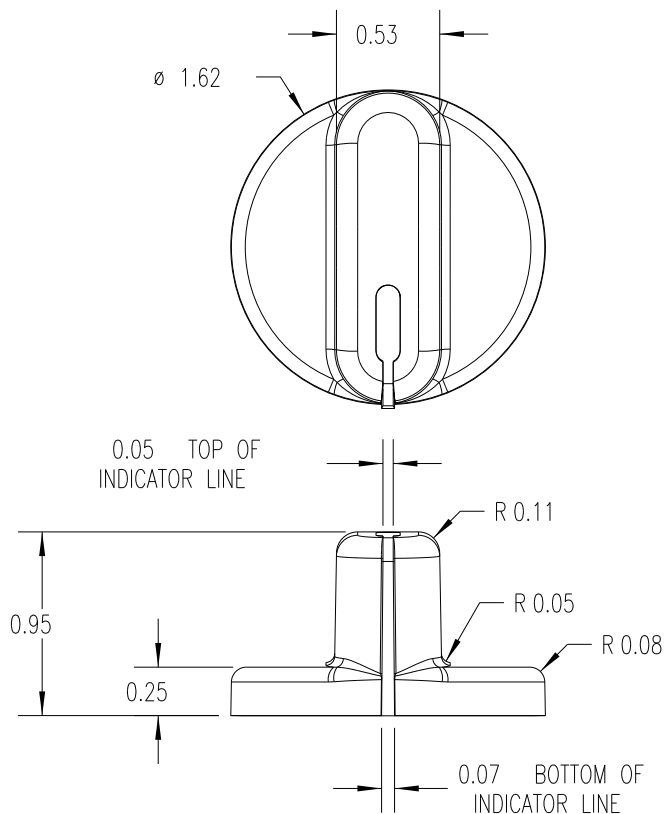


DESIGNERS & MANUFACTURERS  
OF KNOBS, HANDLE ENDS, CAPS &  
CUSTOM PLASTIC COMPONENTS

P/N 1506-K

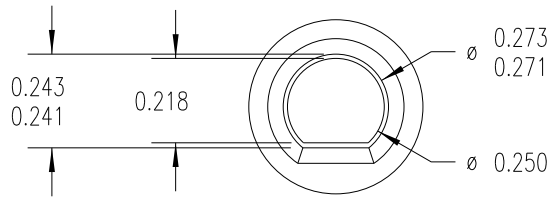
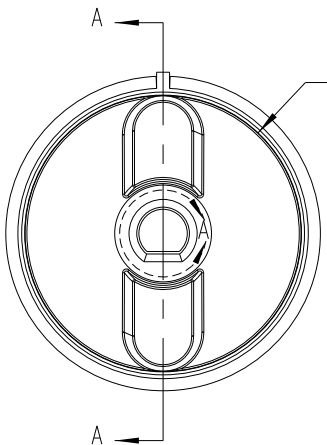
THIS DRAWING IS THE PROPERTY OF DAVIES MOLDING COMPANY, IS SUBMITTED SOLELY AS A DESIGN OR ENGINEERING PROJECT.  
WE ACCEPT NO RESPONSIBILITY WHATSOEVER FOR THE PRACTICAL APPLICATION OF THE PIECES MADE TO THIS DESIGN.

MOLD #	1505/1506/2813
CAVITY	1506
CORE	1506
PIN	1506-J
INSERT	11216 (SPRING)



SPRING 11216 TO ACCOMMODATE  
A ø 1/4 SHAFT FLATTED TO 0.218

SECTION A-A



DETAIL A  
SCALE 2 : 1  
(MOLDED HOLE)

MATERIAL: SUBSTRATE: POLYPROPYLENE (CLD)  
COLOR: WHITE (PC23083)

MATERIAL: OVERMOLD : TPE (TPE3)  
COLOR: BLACK

TOLERANCES: UNLESS OTHERWISE SPECIFIED	DO NOT SCALE DRAWING			
DECIMALS: X.XXX ± .005 X.XX ± .015	MM: X.XX ± 0.15MM X.X ± 0.4MM			
FRACTIONS ± 1/64	ANG. ± 1°	-	WAS SK1506-18	JAM 6/20/11
CHANGES				