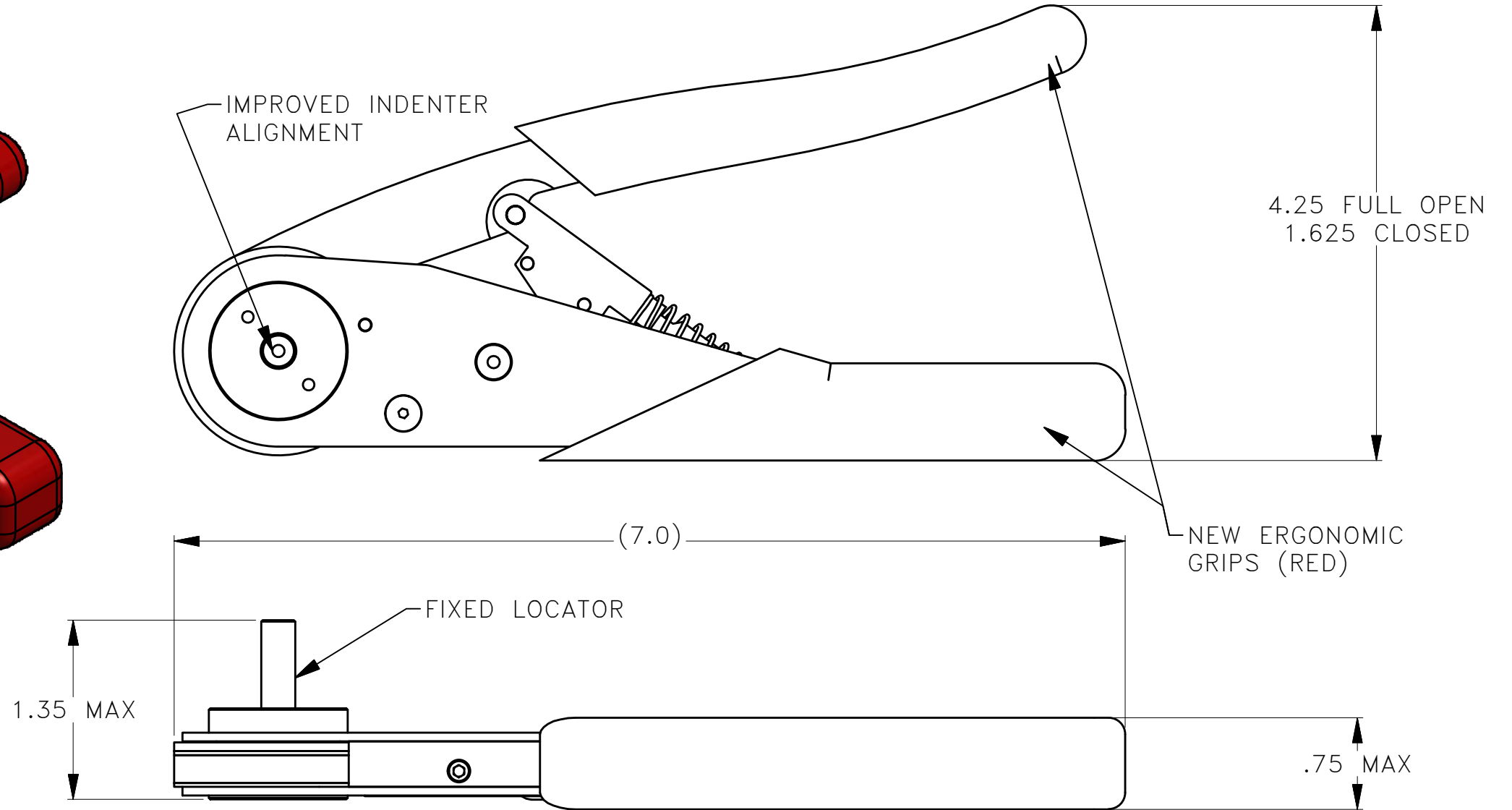
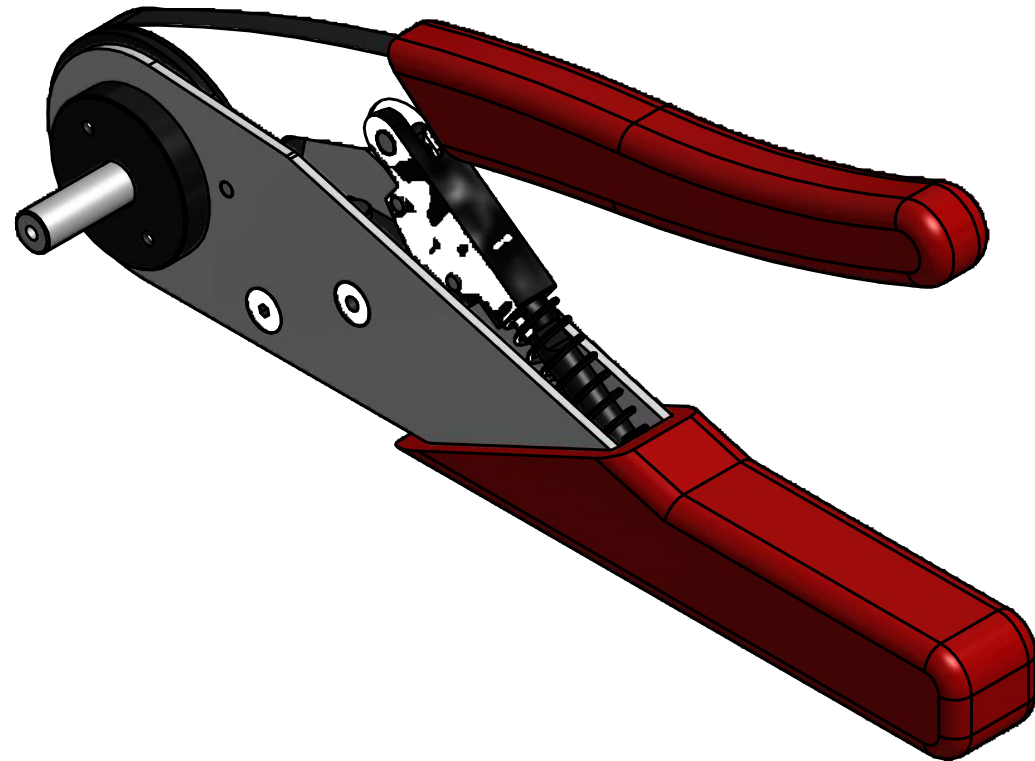


TECHNICAL DATA:

GAGING: .031" GO, .041" NO GO
 APPLICATION: FOR SIZE 20 CONTACTS MADE TO MS3190 WIRE BARREL SPEC.
 WEIGHT: 8.96 oz. (1.28 oz LIGHTER THAN PREVIOUS DESIGN)

**UNCONTROLLED DOCUMENT
 WILL NOT BE UPDATED**

REVISIONS				A100-ENV	
REV SYM	ECO NUMBER	DESCRIPTION	BY DATE	APP'D DATE	
B		REDESIGNED	DYO 10-22-13	MMK 10-22-13	



NOTES: 1. THIS IS AN ICAD DRAWING. DO NOT CHANGE MANUALLY.

THESE DRAWINGS, SPECIFICATIONS OR OTHER DATA ARE THE PROPERTY OF ASTRO TOOL CORP. AND MUST BE RETURNED UPON REQUEST. THEY CONTAIN INFORMATION OWNED AND/OR DEVELOPED BY ASTRO AT ITS OWN PRIVATE EXPENSE AND MAY NOT BE USED, DUPLICATED OR DISCLOSED TO OTHERS, IN WHOLE OR IN PART FOR DESIGN, MANUFACTURE, OR PROCUREMENT WITHOUT THE WRITTEN PERMISSION OF ASTRO TOOL CORP. EACH AND EVERY TIME. CREATED FROM AN INVENTOR MODEL. CHANGES MUST BE REFLECTED IN THE 3D PART DO NOT SCALE DRAWING	MATERIAL	---	ITEM	PART NO.	QTY.	DESCRIPTION/REMARKS
	HEAT TREAT	---	DRN.	DYO	DATE	10-22-13
	FINISH	---	CHK'D.	MMK	DATE	10-22-13
			APP'D.		DATE	
			TOLERANCE:		UNLESS OTHERWISE SPECIFIED FRACTIONS ± 1/32 ANGLES ± 1° DECIMAL INCHES: .X ± .030 .XX ± .010 .XXX ± .005 .XXXX ± .0005 REMOVE BURRS AND BREAK SHARP EDGES .005-.015	
			ASTRO TOOL CORP		CAGE 58164 21615 S.W. THIALATIN VALLEY HWY. BEAVERTON OR 97006	
			TITLE		ENVELOPE DRAWING, A100 CRIMP TOOL WITH LOCATOR	
			WHERE USED:		SIZE B SCALE 1:1 CAD P/N A100_ENV_RB SHEET OF 10F1	
			POSTING		P/N A100-ENV REV. B	