

# NCV8461

## Self Protected High Side Driver with Temperature Shutdown and Current Limit

The NCV8461 is a fully protected High-Side driver that can be used to switch a wide variety of loads, such as bulbs, solenoids and other activators. The device is internally protected from an overload condition by an active current limit and thermal shutdown. A diagnostic output reports OFF state open load conditions as well as thermal shutdown.

### Features

- Short Circuit Protection
- Thermal Shutdown with Automatic Restart
- CMOS (3 V / 5 V) Compatible Control Input
- Off State Open Load Detection
- Open Drain Diagnostic Output
- Overvoltage Protection
- Undervoltage Shutdown
- Loss of Ground and Loss of  $V_D$  Protection
- ESD Protection
- Reverse Battery Protection (with external resistor)
- Very Low Standby Current
- NCV Prefix for Automotive and Other Applications Requiring Unique Site and Control Change Requirements; AEC-Q100 Qualified and PPAP Capable
- This is a Pb-Free Device

### Typical Applications

- Switch a Variety of Resistive, Inductive and Capacitive Loads
- Can Replace Electromechanical Relays and Discrete Circuits
- Automotive / Industrial

### FEATURE SUMMARY

Overvoltage Protection	$V_{OV}$	41	V
$R_{DSon}$ (max) $T_J = 25^\circ\text{C}$	$R_{ON}$	350	m $\Omega$
Output Current Limit (typ)	$I_{lim}$	1.2	A
Operating Voltage Range	$V_{OP}$	5 – 34	V



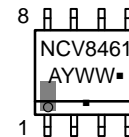
ON Semiconductor®

[www.onsemi.com](http://www.onsemi.com)



SOIC-8  
CASE 751  
STYLE 11

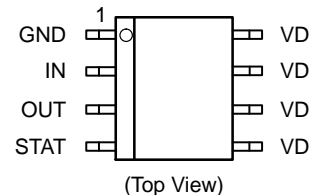
### MARKING DIAGRAM



NCV8461 = Specific Device Code  
A = Assembly Location  
Y = Year  
WW = Work Week  
▪ = Pb-Free Package

(Note: Microdot may be in either location)

### PIN CONNECTIONS



### ORDERING INFORMATION

Device	Package	Shipping†
NCV8461DR2G	SOIC-8 (Pb-Free)	2500 / Tape & Reel

†For information on tape and reel specifications, including part orientation and tape sizes, please refer to our Tape and Reel Packaging Specification Brochure, BRD8011/D.

# NCV8461

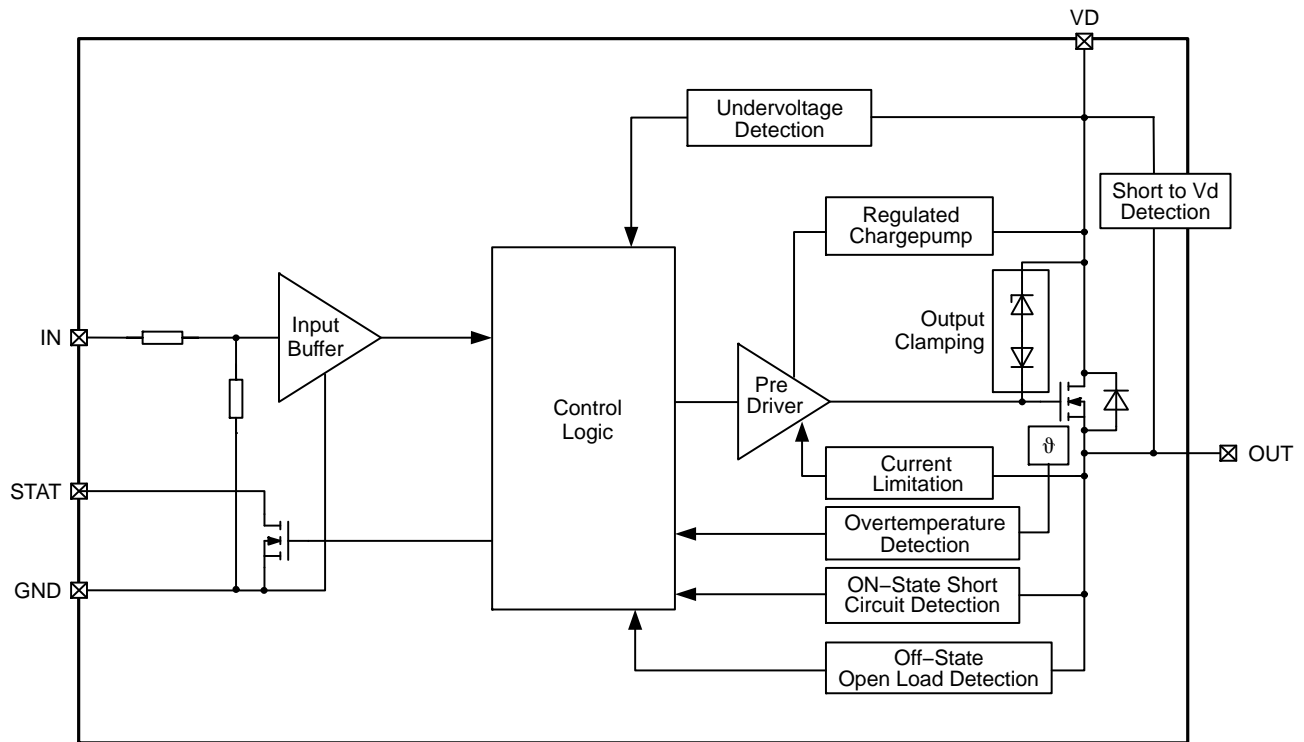


Figure 1. Block Diagram

## SO8 PACKAGE PIN DESCRIPTION

Pin #	Symbol	Description
1	GND	Ground
2	IN	Logic Level Input
3	OUT	Output
4	STAT	Status Output
5	V <sub>D</sub>	Supply Voltage
6	V <sub>D</sub>	Supply Voltage
7	V <sub>D</sub>	Supply Voltage
8	V <sub>D</sub>	Supply Voltage

# NCV8461

**Table 1. MAXIMUM RATINGS**

Rating	Symbol	Value		Unit
		Min	Max	
DC Supply Voltage (Note 1)	$V_D$	-16	40	V
Peak Transient Input Voltage (Note 1) (Load Dump 38 V, $V_D = 14$ V, ISO7637-2 pulse5)	$V_{peak}$		52	V
Input Voltage	$V_{in}$	-10	16	V
Input Current	$I_{in}$	-5	5	mA
Output Current (Note 1)	$I_{out}$	-	Internally Limited	A
Status Current	$I_{status}$	-5	5	mA
Power Dissipation $T_c = 25^\circ\text{C}$ (Note 1)	$P_{tot}$	1.5		W
Electrostatic Discharge (Note 1) (HBM Model 100 pF / 1500 $\Omega$ ) Input All Other Pins		$\pm 1.5$ $\pm 5$		DC kV kV
Single Pulse Inductive Load Switching Energy (Note 1) $V_D = 13.5$ V; $I_L = 0.5$ A, $T_{Jstart} = 150^\circ\text{C}$	$E_{AS}$	-	300	mJ
Operating Junction Temperature	$T_J$	-40	+150	$^\circ\text{C}$
Storage Temperature	$T_{storage}$	-55	+150	$^\circ\text{C}$

Stresses exceeding those listed in the Maximum Ratings table may damage the device. If any of these limits are exceeded, device functionality should not be assumed, damage may occur and reliability may be affected.

1. Not subjected to production testing

**Table 2. THERMAL RESISTANCE RATINGS**

Parameter	Symbol	Max. Value	Units
Thermal Resistance (Note 2) Junction-to-Soldering Point Junction-to-Ambient (6 cm square pad size, FR-4, 2 oz Cu)	$R_{thJS}$ $R_{thJA}$	31 84	$^\circ\text{C}/\text{W}$

2. Reverse Output current has to be limited by the load to stay within absolute maximum ratings and thermal performance. See spec table and page 6 for further reverse battery information.

# NCV8461

**Table 3. ELECTRICAL CHARACTERISTICS** ( $V_D = 13.5\text{ V}$ ;  $-40^\circ\text{C} < T_J < 150^\circ\text{C}$  unless otherwise specified)

Rating	Symbol	Conditions	Value			Unit
			Min	Typ	Max	
Operating Supply Voltage	$V_D$		5	–	34	V
Undervoltage Shutdown	$V_{UV}$				5	V
Undervoltage Restart	$V_{UV\_Res}$				5.5	V
Overshoot Protection	$V_{OV}$	$I_D = 4\text{ mA}$	41			V
On Resistance	$R_{ON}$	$I_{out} = 0.3\text{ A}$ ; $6\text{ V} < V_D < 40\text{ V}$ , $T_J = 25^\circ\text{C}$ $I_{out} = 0.3\text{ A}$ ; $6\text{ V} < V_D < 40\text{ V}$ , $T_J = 150^\circ\text{C}$		250 450	350 700	m $\Omega$
Standby Current	$I_D$	Off State; $V_{in} = V_{out} = 0\text{ V}$ On State; $V_{in} = 5\text{ V}$ , $I_{out} = 0\text{ A}$		13 1	35 1.7	$\mu\text{A}$ mA
Output Leakage Current	$I_{L(off)}$				12	$\mu\text{A}$

## INPUT CHARACTERISTICS

Input Voltage – Low	$V_{in\_low}$				0.8	V
Input Voltage – High	$V_{in\_high}$		2.2			V
Input Hysteresis Voltage	$V_{hyst}$			0.3		V
Off State Input Current	$I_{in\_OFF}$	$V_{in} = 0.7\text{ V}$	1		10	$\mu\text{A}$
On State Input Current	$I_{in\_ON}$	$V_{in} = 5.0\text{ V}$	1		10	$\mu\text{A}$
Input Resistance (Note 3)	$R_I$		1.5	3.5		K $\Omega$
Input Clamp Voltage	$V_{in\_cl}$	$I_{in} = 1\text{ mA}$ $I_{in} = -1\text{ mA}$	14 -18	16 -16	18 -14	V

## SWITCHING CHARACTERISTICS

Turn-On Delay Time	$t_{d\_on}$	to 90% $V_{out}$ , $R_L = 47\ \Omega$			140	$\mu\text{s}$
Turn-Off Delay Time	$t_{d\_off}$	to 10% $V_{out}$ , $R_L = 47\ \Omega$			170	$\mu\text{s}$
Slew Rate On	$dV_{out}/dt_{on}$	10% to 30% $V_{out}$ , $R_L = 47\ \Omega$			2	V / $\mu\text{s}$
Slew Rate Off	$dV_{out}/dt_{off}$	70% to 40% $V_{out}$ , $R_L = 47\ \Omega$			2	V / $\mu\text{s}$

## REVERSE BATTERY (Note 3)

Reverse Battery	$-V_D$	Requires a 150 $\Omega$ Resistor in GND Connection			32	V
Forward Voltage	$V_F$	$T_J = 150^\circ\text{C}$ , $I_S = 200\text{ mA}$		0.6		V

## STATUS PIN CHARACTERISTICS

Status Output Voltage Low	$V_{stat\_low}$	$I_{stat} = 1.6\text{ mA}$ , $T_J = -40^\circ\text{C}$ to $25^\circ\text{C}$ $I_{stat} = 1.6\text{ mA}$ , $T_J = 150^\circ\text{C}$ (Note 3)			0.4 0.6	V
Status Leakage Current	$I_{stat\_leakage}$	$V_{stat} = 5\text{ V}$			10	$\mu\text{A}$
Status Invalid Time After Positive Input Slope	$T_{d(STAT)}$			300	700	$\mu\text{s}$
Status Clamp Voltage	$V_{stat\_cl}$	$I_{stat} = 1\text{ mA}$ $I_{stat} = -1\text{ mA}$		10 -1.4		V

## PROTECTION FUNCTIONS (Note 4)

Temperature Shutdown (Note 3)	$T_{SD}$		150	175	200	$^\circ\text{C}$
Temperature Shutdown Hysteresis (Note 3)	$T_{SD\_hyst}$			10		$^\circ\text{C}$

Product parametric performance is indicated in the Electrical Characteristics for the listed test conditions, unless otherwise noted. Product performance may not be indicated by the Electrical Characteristics if operated under different conditions.

- Not subjected to production testing
- To ensure long term reliability under heavy overload or short circuit conditions, protection and related diagnostic signals must be used together with a proper hardware/software strategy. If the device operates under abnormal conditions this hardware/software solutions must limit the duration and number of activation cycles. AEC Q100-12 results available upon request.

# NCV8461

**Table 3. ELECTRICAL CHARACTERISTICS** ( $V_D = 13.5\text{ V}$ ;  $-40^\circ\text{C} < T_J < 150^\circ\text{C}$  unless otherwise specified)

Rating	Symbol	Conditions	Value			Unit
			Min	Typ	Max	
<b>PROTECTION FUNCTIONS</b> (Note 4)						
Output Current Limit Initial Peak	$I_{lim}$	$T_J = -40^\circ\text{C}$ , $V_D = 20\text{ V}$ (Note 3) $T_J = 25^\circ\text{C}$ $T_J = 150^\circ\text{C}$ (Note 3)	0.7	1.2	2	A
Repetitive Short Circuit Current Limit	$I_{lim(SC)}$	$T_J = T_{Jt}$ (Note 3)		1		A
Switch Off Output Clamp Voltage	$V_{clamp}$	$I_D = 4\text{ mA}$ , $V_{in} = 0\text{ V}$	$V_D - 41$	$V_D - 47$		V

## DIAGNOSTICS CHARACTERISTICS

Short Circuit Detection Voltage	$V_{OUT(SC)}$			2.8		V
Openload Off State Detection Threshold	$V_{OL}$	$V_{in} = 0\text{ V}$	1.5		3.5	V
Openload Detection Current	$I_{L(OL)}$			5		$\mu\text{A}$

Product parametric performance is indicated in the Electrical Characteristics for the listed test conditions, unless otherwise noted. Product performance may not be indicated by the Electrical Characteristics if operated under different conditions.

3. Not subjected to production testing

4. To ensure long term reliability under heavy overload or short circuit conditions, protection and related diagnostic signals must be used together with a proper hardware/software strategy. If the device operates under abnormal conditions this hardware/software solutions must limit the duration and number of activation cycles. AEC Q100-12 results available upon request.

**Table 4. STATUS PIN TRUTH TABLE**

Conditions	Input	Output	Status
Normal Operation	L	L	H
	H	H	H
Short Circuit to GND	L	L	H
	H	L*	L
Short to $V_D$ (OFF State)	L	H	L
	H	H	H
Current Limitation	L	L	H
	H	H**	H
Overtemperature	L	L	H
	H	L	L
OFF State Open Load	L	H	L
	H	H	H

\* Output = "L";  $V_{OUT} < 2\text{ V}$  typ.

\*\* Output = "H";  $V_{OUT} > 2\text{ V}$  typ.

# NCV8461

## REVERSE BATTERY PROTECTION

The NCV8461 provides reverse battery protection up to 32 V. This protection requires a Resistor in the GND path. The recommended GND resistor is 150  $\Omega$ , but a variety of resistor values can be chosen for this purpose. The graph below shows the considerations and constraints for selection of the GND resistor. Figure 2 shows the power dissipation in the GND resistor during a 32 V reverse battery event on the left axis, while the right axis shows the voltage drop

across the GND resistor while in normal operation. The far right side of the graph is grayed out to indicate that the voltage drop across the resistor is too high, and the part will not be able to turn on with a standard 5 V on the input pin. Selection of the optimal GND resistor requires balancing the power dissipation considerations while in a reverse battery event, with the turn on capability of the input signal during normal operation.

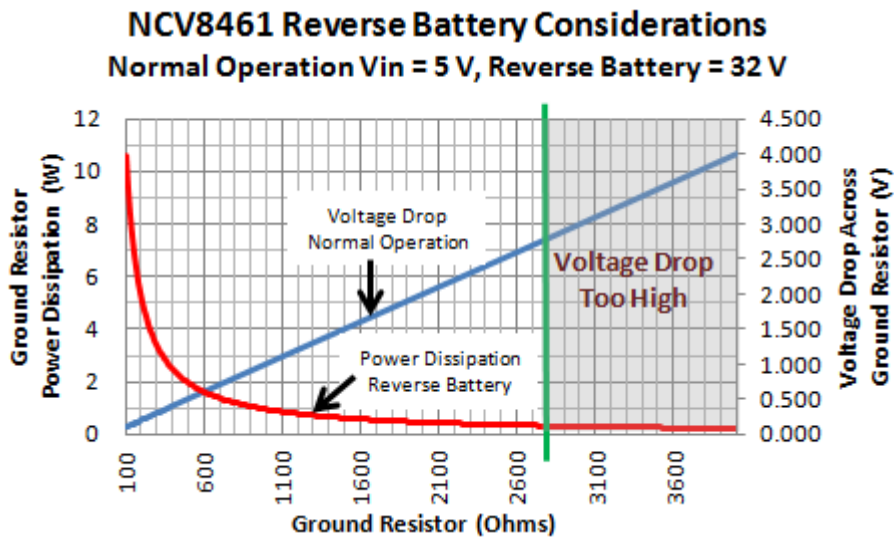


Figure 2. Reverse Battery Considerations

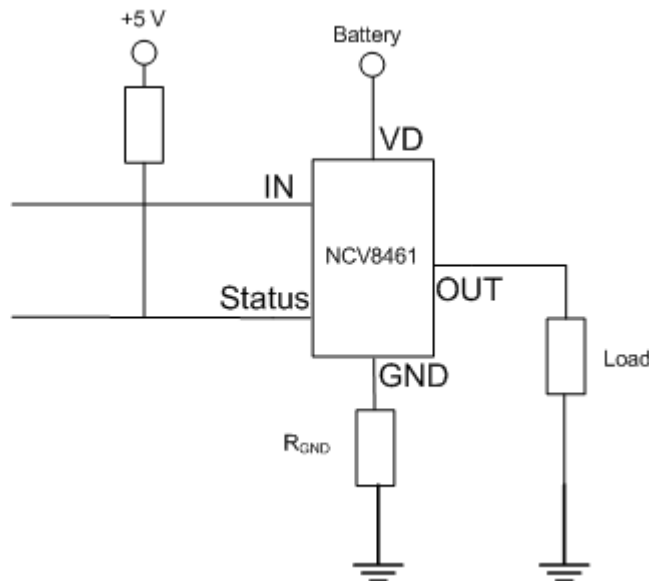


Figure 3. Reverse Battery Protection Circuit

TYPICAL PERFORMANCE CHARACTERISTICS

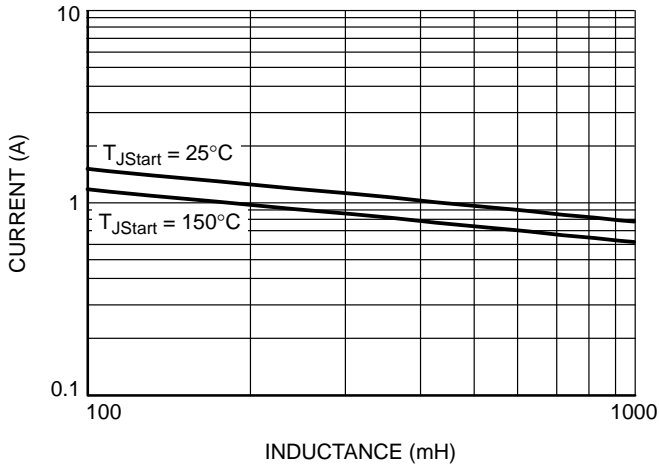


Figure 4. Maximum Single Pulse Switch Off Current vs. Inductance

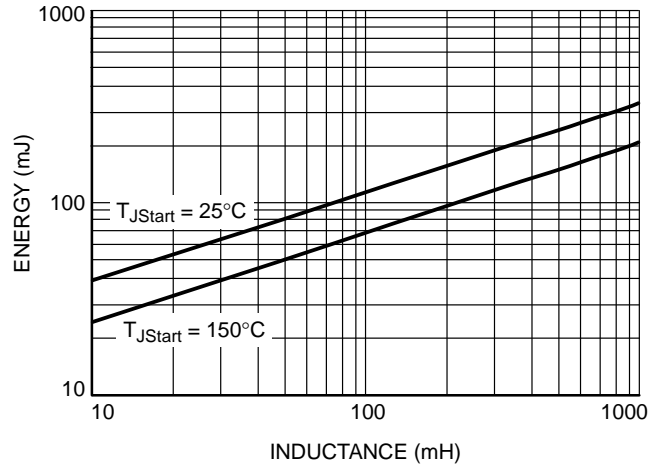


Figure 5. Maximum Single Pulse Switch Off Energy vs. Inductance

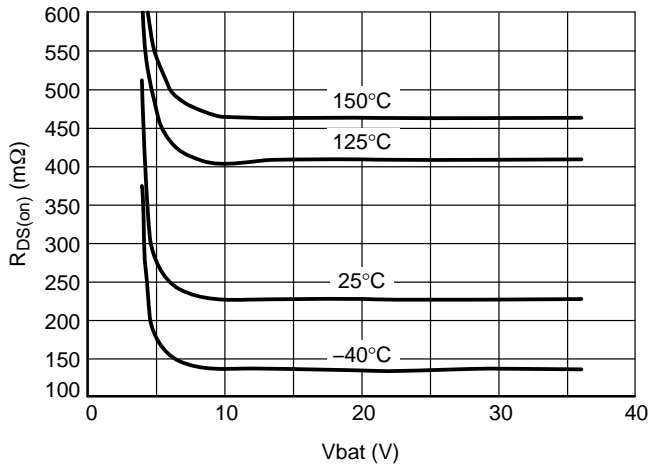


Figure 6.  $R_{DS(on)}$  Over Temp and Battery

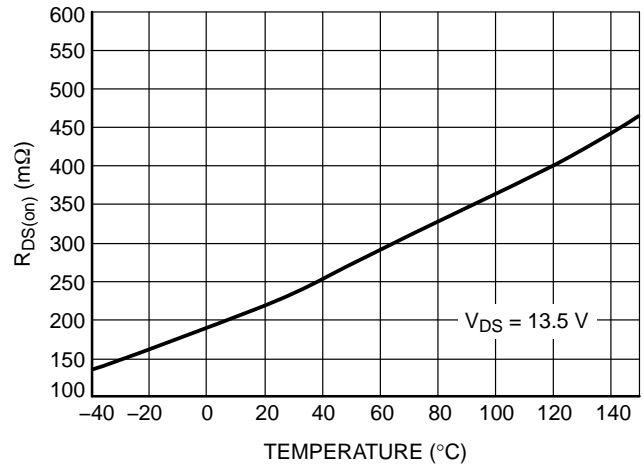


Figure 7.  $R_{DS(on)}$  vs. Temperature

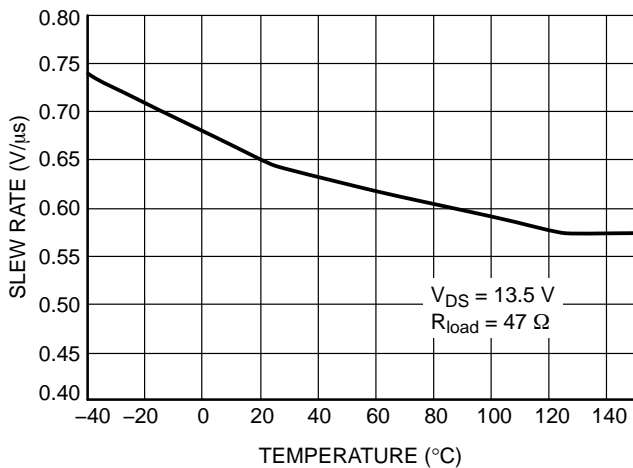


Figure 8. Slew Rate On vs. Temperature

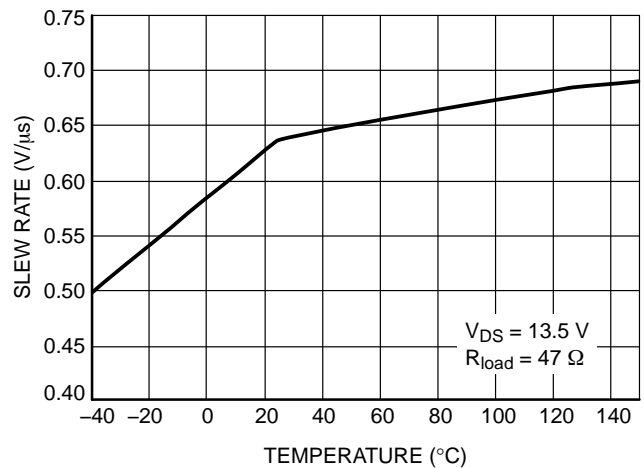


Figure 9. Slew Rate Off vs. Temperature

TYPICAL PERFORMANCE CHARACTERISTICS

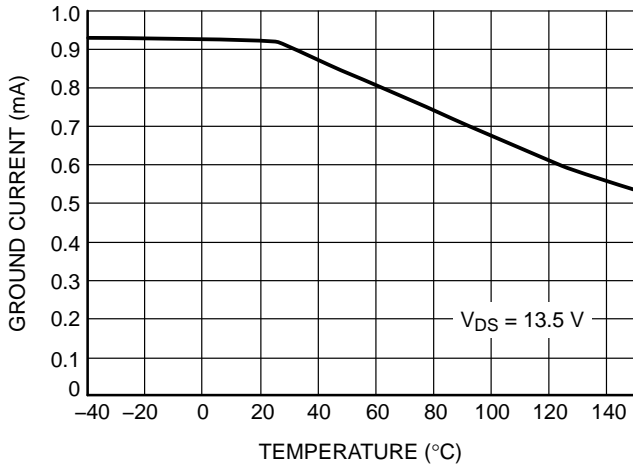


Figure 10. On State Ground Current vs. Temp

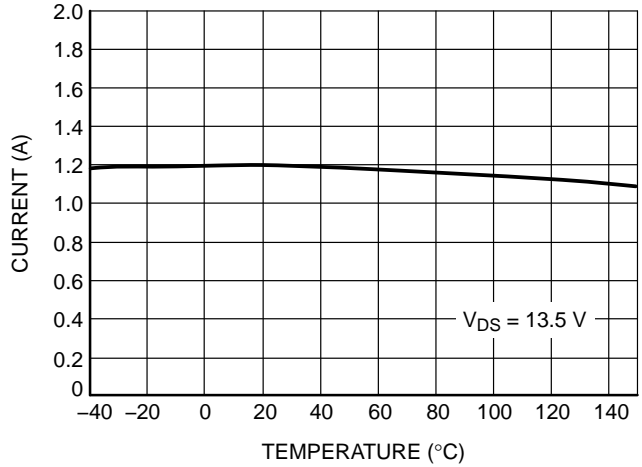


Figure 11. Current Limit vs. Temperature

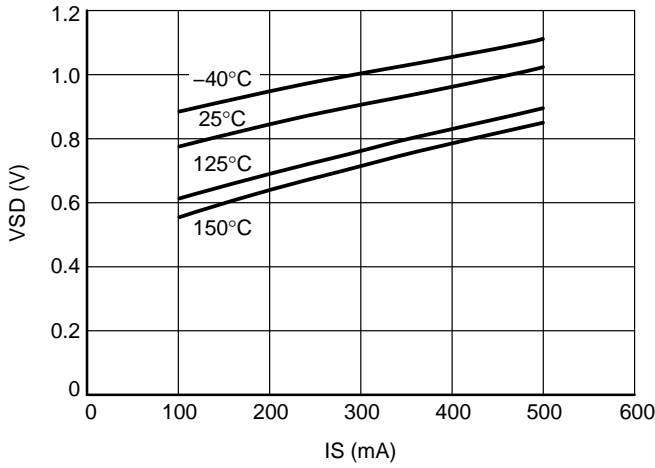


Figure 12. Body Diode

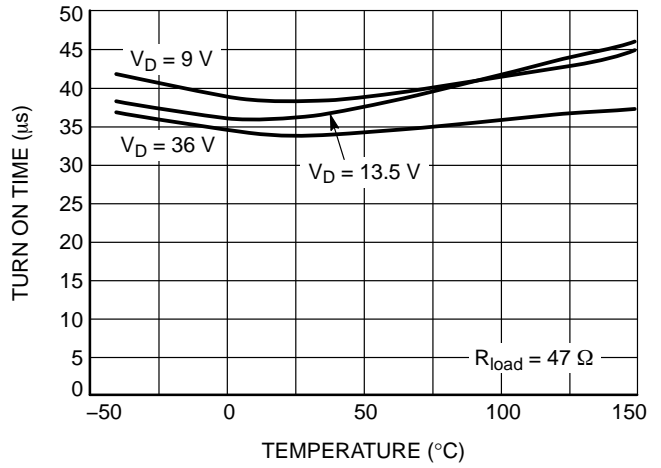


Figure 13. Turn On Time vs. Temperature

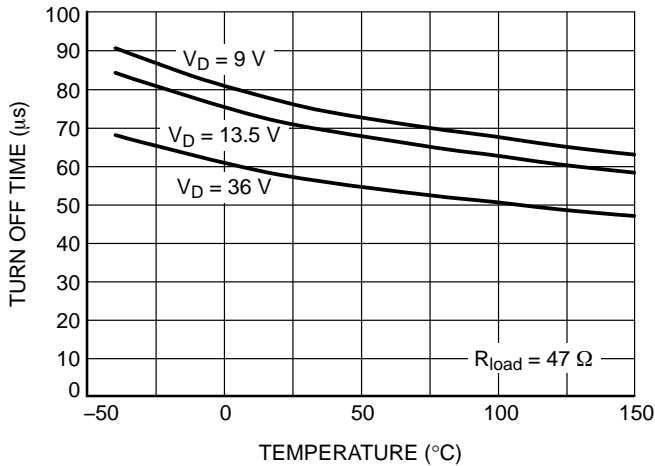


Figure 14. Turn Off Time vs. Temperature

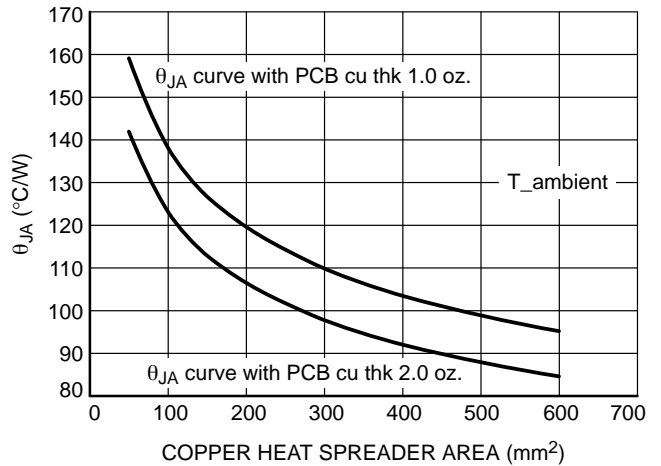


Figure 15. Junction-to-Ambient Thermal Resistance vs. Copper Area



TYPICAL PERFORMANCE CHARACTERISTICS

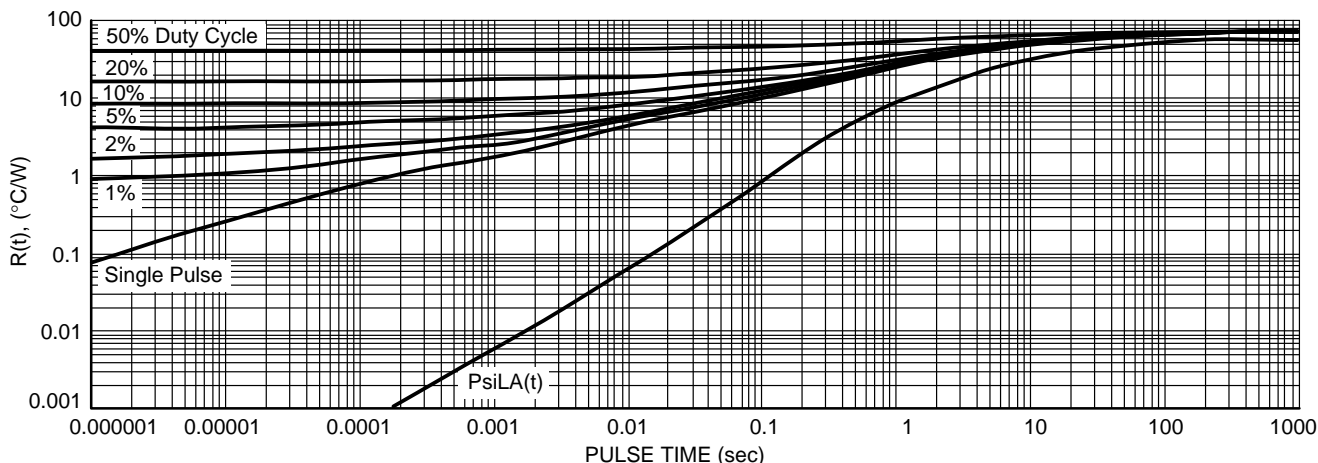


Figure 16. Junction to Ambient Transient Thermal Impedance (600 mm<sup>2</sup> Copper Area)

ISO 7637-2:2011 (E) PULSE TEST RESULTS

ISO 7637-2:2011(E) Test Pulse	Test Severity Levels, 13.5 V System		Delays and Impedance	# of Pulses or Test Time	Pulse / Burst Rep. Time
	III	IV			
1	-112	-150	2 ms, 10 $\Omega$	500 pulses	0.5 s
2a	+55	+112	0.05 ms, 2 $\Omega$	500 pulses	0.5 s
3a	-165	-220	0.1 $\mu\text{s}$ , 50 $\Omega$	1 h	100 ms
3b	+112	+150	0.1 $\mu\text{s}$ , 50 $\Omega$	1 h	100 ms

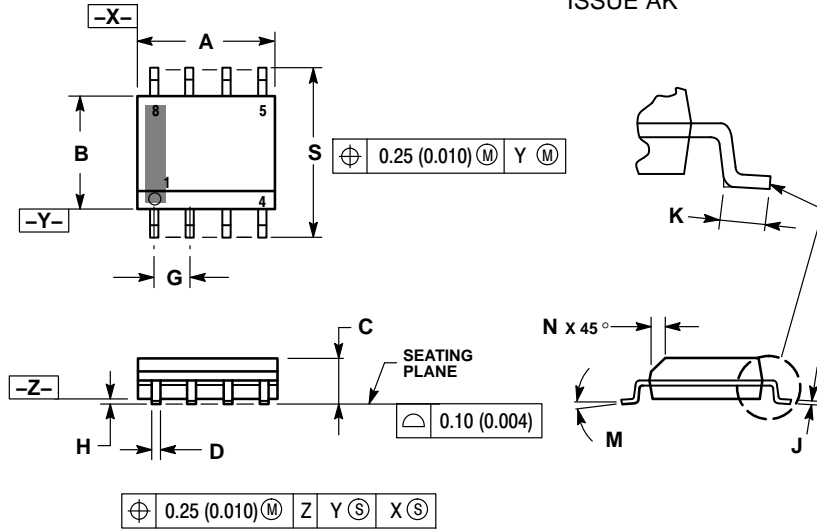
ISO 7637-2:2011(E) Test Pulse	Test Results	
	III	IV
1	C	C
2a	C	E
3a	C	C
3b	C	C

Class	Functional Status
C	One or more functions of a device do not perform as designed during exposure but return automatically to normal operation after exposure is removed.
E	One or more functions of a device do not perform as designed during and after exposure and cannot be returned to proper operation without replacing the device.

# NCV8461

## PACKAGE DIMENSIONS

### SOIC-8 NB CASE 751-07 ISSUE AK



#### NOTES:

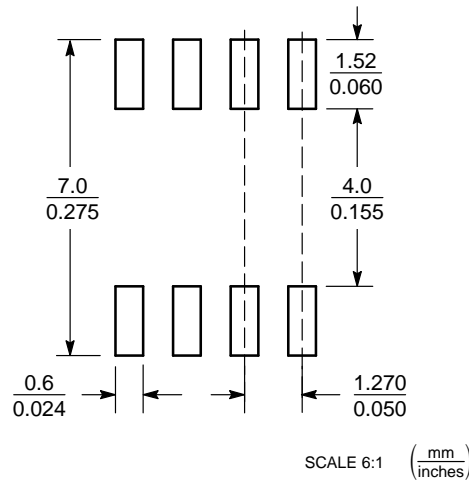
1. DIMENSIONING AND TOLERANCING PER ANSI Y14.5M, 1982.
2. CONTROLLING DIMENSION: MILLIMETER.
3. DIMENSION A AND B DO NOT INCLUDE MOLD PROTRUSION.
4. MAXIMUM MOLD PROTRUSION 0.15 (0.006) PER SIDE.
5. DIMENSION D DOES NOT INCLUDE DAMBAR PROTRUSION. ALLOWABLE DAMBAR PROTRUSION SHALL BE 0.127 (0.005) TOTAL IN EXCESS OF THE D DIMENSION AT MAXIMUM MATERIAL CONDITION.
6. 751-01 THRU 751-06 ARE OBSOLETE. NEW STANDARD IS 751-07.

DIM	MILLIMETERS		INCHES	
	MIN	MAX	MIN	MAX
A	4.80	5.00	0.189	0.197
B	3.80	4.00	0.150	0.157
C	1.35	1.75	0.053	0.069
D	0.33	0.51	0.013	0.020
G	1.27 BSC		0.050 BSC	
H	0.10	0.25	0.004	0.010
J	0.19	0.25	0.007	0.010
K	0.40	1.27	0.016	0.050
M	0°	8°	0°	8°
N	0.25	0.50	0.010	0.020
S	5.80	6.20	0.228	0.244

#### STYLE 11:

1. SOURCE 1
2. GATE 1
3. SOURCE 2
4. GATE 2
5. DRAIN 2
6. DRAIN 2
7. DRAIN 1
8. DRAIN 1

### SOLDERING FOOTPRINT\*



\*For additional information on our Pb-Free strategy and soldering details, please download the ON Semiconductor Soldering and Mounting Techniques Reference Manual, SOLDERRM/D.

ON Semiconductor and are trademarks of Semiconductor Components Industries, LLC dba ON Semiconductor or its subsidiaries in the United States and/or other countries. ON Semiconductor owns the rights to a number of patents, trademarks, copyrights, trade secrets, and other intellectual property. A listing of ON Semiconductor's product/patent coverage may be accessed at [www.onsemi.com/site/pdf/Patent-Marking.pdf](http://www.onsemi.com/site/pdf/Patent-Marking.pdf). ON Semiconductor reserves the right to make changes without further notice to any products herein. ON Semiconductor makes no warranty, representation or guarantee regarding the suitability of its products for any particular purpose, nor does ON Semiconductor assume any liability arising out of the application or use of any product or circuit, and specifically disclaims any and all liability, including without limitation special, consequential or incidental damages. Buyer is responsible for its products and applications using ON Semiconductor products, including compliance with all laws, regulations and safety requirements or standards, regardless of any support or applications information provided by ON Semiconductor. "Typical" parameters which may be provided in ON Semiconductor data sheets and/or specifications can and do vary in different applications and actual performance may vary over time. All operating parameters, including "Typicals" must be validated for each customer application by customer's technical experts. ON Semiconductor does not convey any license under its patent rights nor the rights of others. ON Semiconductor products are not designed, intended, or authorized for use as a critical component in life support systems or any FDA Class 3 medical devices or medical devices with a same or similar classification in a foreign jurisdiction or any devices intended for implantation in the human body. Should Buyer purchase or use ON Semiconductor products for any such unintended or unauthorized application, Buyer shall indemnify and hold ON Semiconductor and its officers, employees, subsidiaries, affiliates, and distributors harmless against all claims, costs, damages, and expenses, and reasonable attorney fees arising out of, directly or indirectly, any claim of personal injury or death associated with such unintended or unauthorized use, even if such claim alleges that ON Semiconductor was negligent regarding the design or manufacture of the part. ON Semiconductor is an Equal Opportunity/Affirmative Action Employer. This literature is subject to all applicable copyright laws and is not for resale in any manner.

### PUBLICATION ORDERING INFORMATION

#### LITERATURE FULFILLMENT:

Literature Distribution Center for ON Semiconductor  
19521 E. 32nd Pkwy, Aurora, Colorado 80011 USA  
Phone: 303-675-2175 or 800-344-3860 Toll Free USA/Canada  
Fax: 303-675-2176 or 800-344-3867 Toll Free USA/Canada  
Email: [orderlit@onsemi.com](mailto:orderlit@onsemi.com)

**N. American Technical Support:** 800-282-9855 Toll Free  
USA/Canada  
**Europe, Middle East and Africa Technical Support:**  
Phone: 421 33 790 2910  
**Japan Customer Focus Center**  
Phone: 81-3-5817-1050

**ON Semiconductor Website:** [www.onsemi.com](http://www.onsemi.com)

**Order Literature:** <http://www.onsemi.com/orderlit>

For additional information, please contact your local Sales Representative