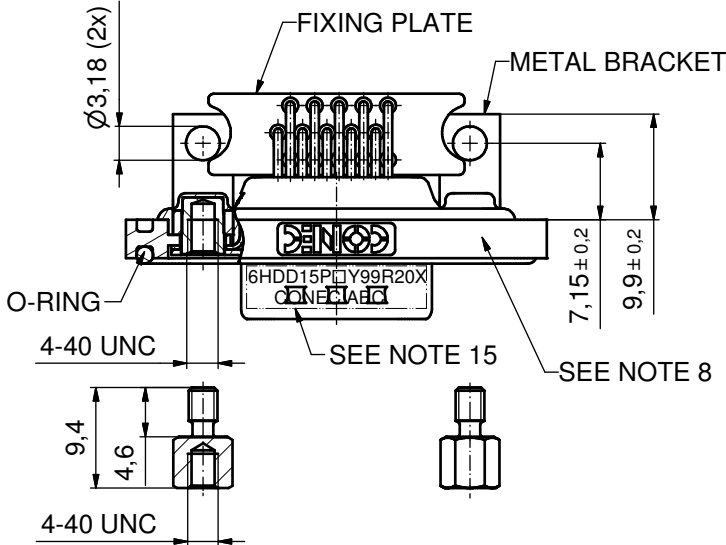
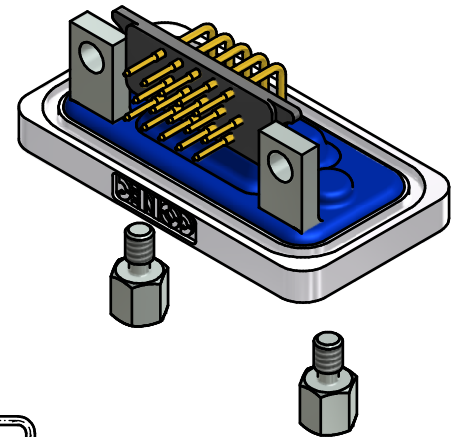
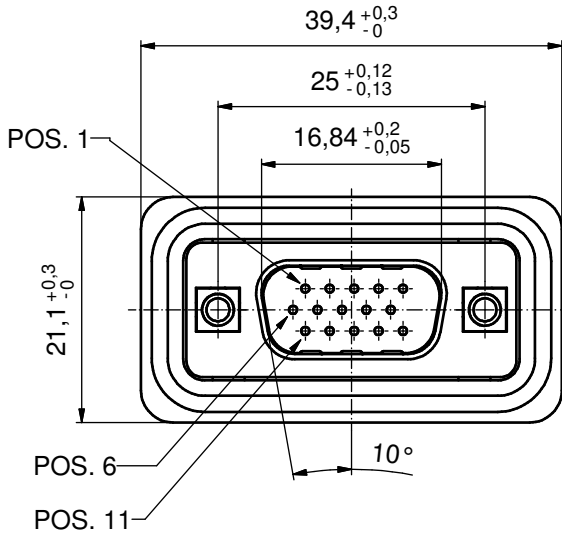
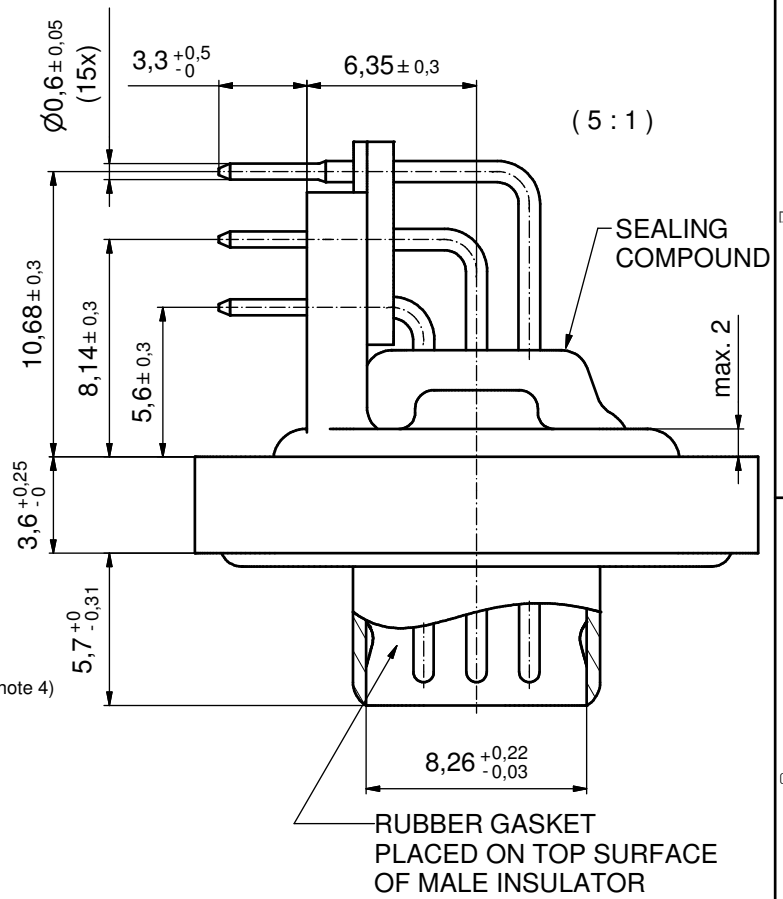


NOTES:

1. FOR WAVESOLDERING (SOLDER BATH TEMPERATURE 240°C FOR 5 SEC. / AND SOLDER PREHEAT 120°C FOR 120 SEC.)
2. METALSHELLS: COPPER ALLOY; min. 315µin TIN over 40-80µin NICKEL
3. INSULATORS: PBT GF UL 94 V-0; BLACK
4. SIGNAL CONTACTS: COPPER ALLOY; PLATING (SEE PART NO.):
 - (b) PLEASE ADD C for 30µin HARD GOLD over min. 50µin NICKEL
 - PLEASE ADD B for 20µin HARD GOLD over min. 50µin NICKEL
 - PLEASE ADD A for GOLD FLASH over NICKEL (PREFERRED TYPE)
5. METAL BRACKETS: ZINC DIE CAST; 300µin COPPER/40-120µin NICKEL/120-200µin TIN
6. THREADED INSERTS: COPPER ALLOY; min. 200µin TIN over 80µin NICKEL
7. HEXLOCKING SCREWS: STAINLESS STEEL
8. FRAME: ZINC DIE CAST; NICKEL PLATED
9. FIXING PLATE: PBT GF UL 94 V-0; BLACK
10. O-RING: SILICON; BLUE
11. RUBBER GASKET: TPE
12. SEALING COMPOUND: PUR; BLUE
13. P.C.B. HOLE DRILLINGS AND RECOMMENDED PANEL CUT-OUT ON SHEET 2
14. RECOMMENDED TORQUE FOR MOUNTING SCREW 35Ncm (3.1 in.LB) / max.40Ncm (3.5 in.LB)
15. CONNECTOR IS PART MARKED: 6HDD15P□Y99R20X CONEC ABC (see note 4)

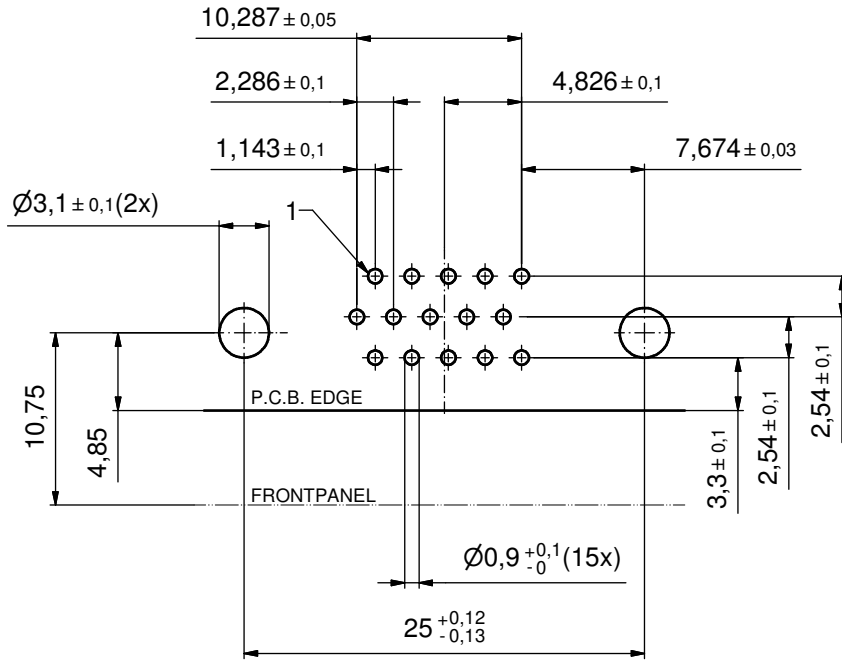


AT ALL TIMES WATER RESISTANT CONNECTORS NOT IN USE SHOULD BE COVERED WITH A CONEC WATER RESISTANT CAP OR WATER TIGHT HOOD.

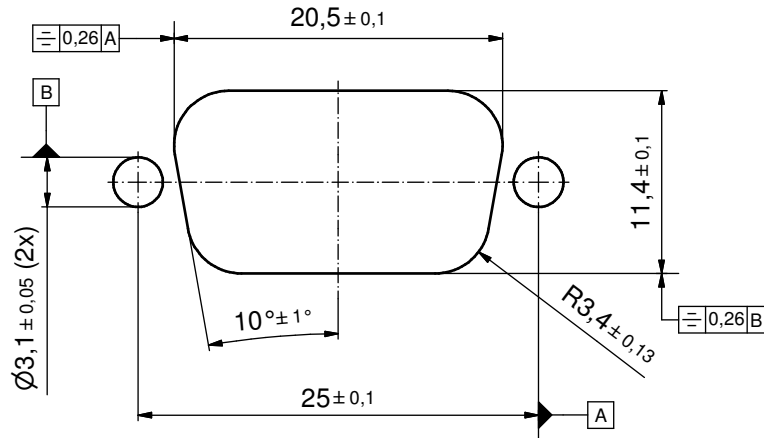
Directive 2002/95/EC RoHS compliant

THIS DRAWING MAY NOT BE COPIED OR REPRODUCED IN ANY WAY, AND MAY NOT BE PASSED ON TO A THIRD PARTY WITHOUT WRITTEN PERMISSION. OWNERSHIP AND COPYRIGHT OF CONEC GmbH DO NOT ALTER CAD DRAWING BY HAND				tolerance		scale: 2:1 (5:1)		
				dim. in mm		material: SEE NOTES		
				date	name		title: D-SUB HD MALE 15pos. SOLDER PIN ANGLED threaded insert, metal bracked, fixing-plate	
				drawn	26.03.12 Gitinow			
				appd.	03.04.12 Fischer			
				norm				
				d-old	18K1A476		dwg no:	
2 x b	A4375	11.07.12	K.H.	CONEC		15K1A1020		DIN-A3
a	Original					part no: 6HDD15P□Y99R20X (see note 4)		(b) sh: 1/2

P.C.B. HOLE DRILLINGS
(P.C.B. TOP SIDE)



RECOMMENDED PANEL CUT-OUT



THIS DRAWING MAY NOT BE COPIED OR REPRODUCED IN ANY WAY, AND MAY NOT BE PASSED ON TO A THIRD PARTY WITHOUT WRITTEN PERMISSION. OWNERSHIP AND COPYRIGHT OF CONEC GmbH DO NOT ALTER CAD DRAWING BY HAND				tolerance		scale: 3:1
				date	name	material: SEE SHEET 1
				drawn	26.03.12	Gitinow
				appd.	03.04.12	Fischer
				norm		
			d-old			
			CONEC [®]			title: P.C.B. HOLE DRILLINGS PANEL CUT-OUT D-SUB HD MALE 15pos. SOLDER PIN ANGLED
rev.	description	date				name
						part no: SEE SHEET 1