

Model No: TC5FC02-04
 Product Line: Tymphany

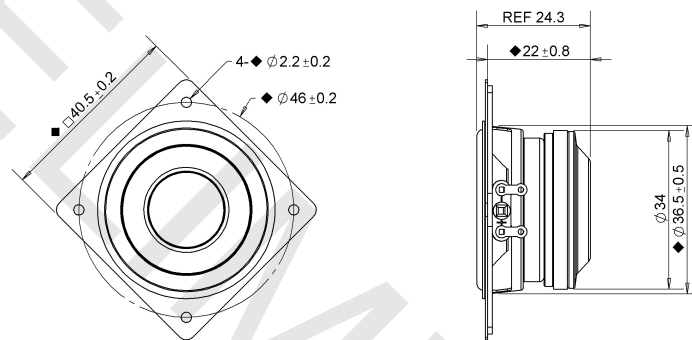
Rev: 1
 Last Update: 2017-03-03 02:00:02

Product Description

This TC family 1.5 inch 4 ohm full-range driver, with NdFeB magnet, paper cone and PU surround, and steel basket, is designed to be a high performance full range driver. The product was designed with television and other compact applications in mind.



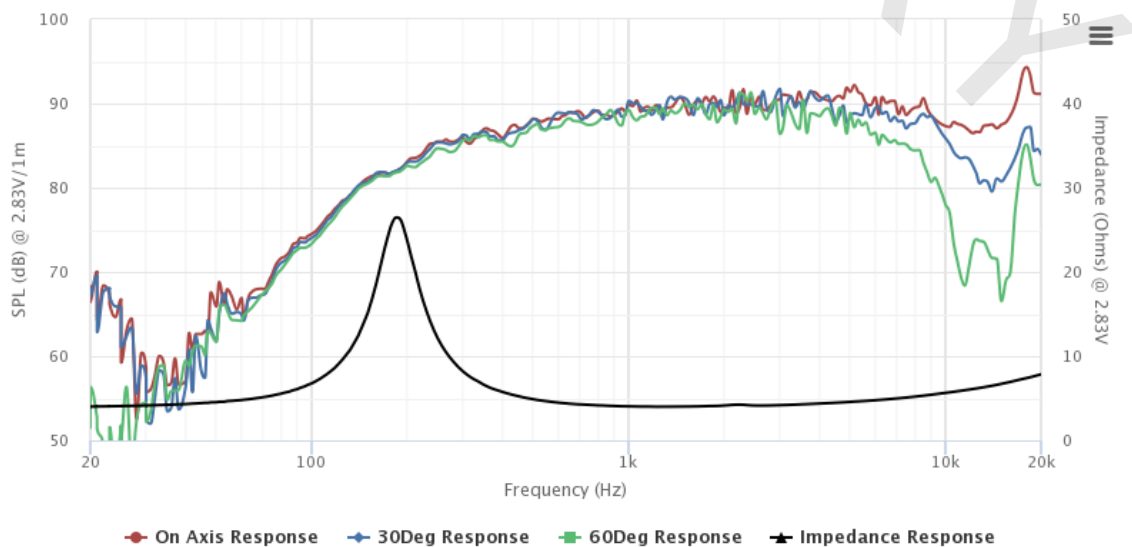
Mechanical Drawing



Specifications

| | | | | | | | |
|-------------------------------|-------------|--------|--------|-----------|----------------------------|------|--------------|
| DC Resistance | Revc | Ohms | 3.03 | 5.0% | Energy Bandwidth Product | EBP | (1/Qes)*fs |
| Minimum Impedance | Zmin | Ohms | 4 | 7.5% | Moving Mass | Mms | g |
| Voice Coil Inductance | Le | mH | 0.03 | | Suspension Compliance | Cms | um/N |
| Resonant Frequency | Fs | Hz | 203.04 | 15% | Effective Cone diameter | D | cm |
| Mechanical Q Factor | Qms | | 3.94 | | Effective Piston Area | Sd | cm^2 |
| Electrical Q Factor | Qes | | 0.5 | | Effective Volume | Vas | L |
| Total Q Factor | Qts | | 0.45 | | Motor Force Factor | BL | Tm |
| Ratio Fs/Qts | F | Fs/Qts | 456.26 | | Motor Efficiency Factor | β | (T*M^2)/Ohms |
| Half Space Sensitivity @2.83V | db@2.83V/1M | dB | 89.33 | +/- 1.0db | Voice coil former Material | VCfm | KSV |
| Half Space Sensitivity @1W/1M | db@1W/1M | dB | 86.3 | +/- 1.0db | Voice coil inner diameter | VCd | mm |
| Gap Height | Gh | mm | 2 | | Rated Noise Power | P | W |
| Maximum Linear Excursion | Xmax | mm | 5.1 | | Test Spectrum Bandwidth | | 200-20KHz |
| Ferrofluid Type | FF | | | | Driver Size | Inch | 1.5 in |
| Driver Mass | Kg | | 0.08 | | | | |

Frequency and Impedance Response



Highcharts.com