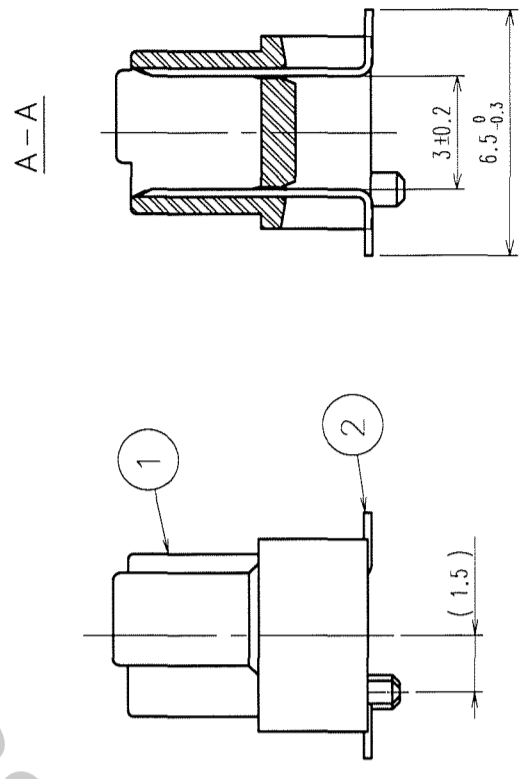
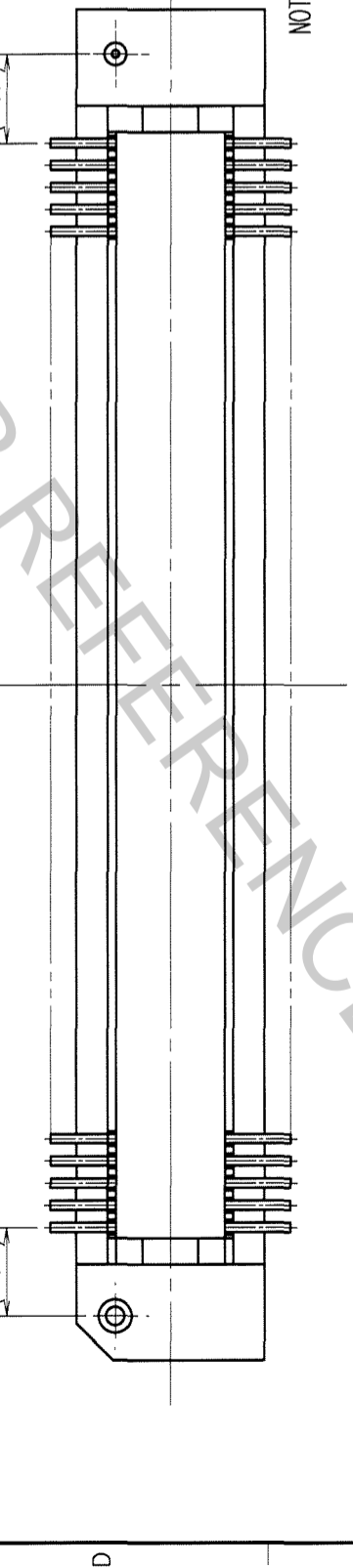
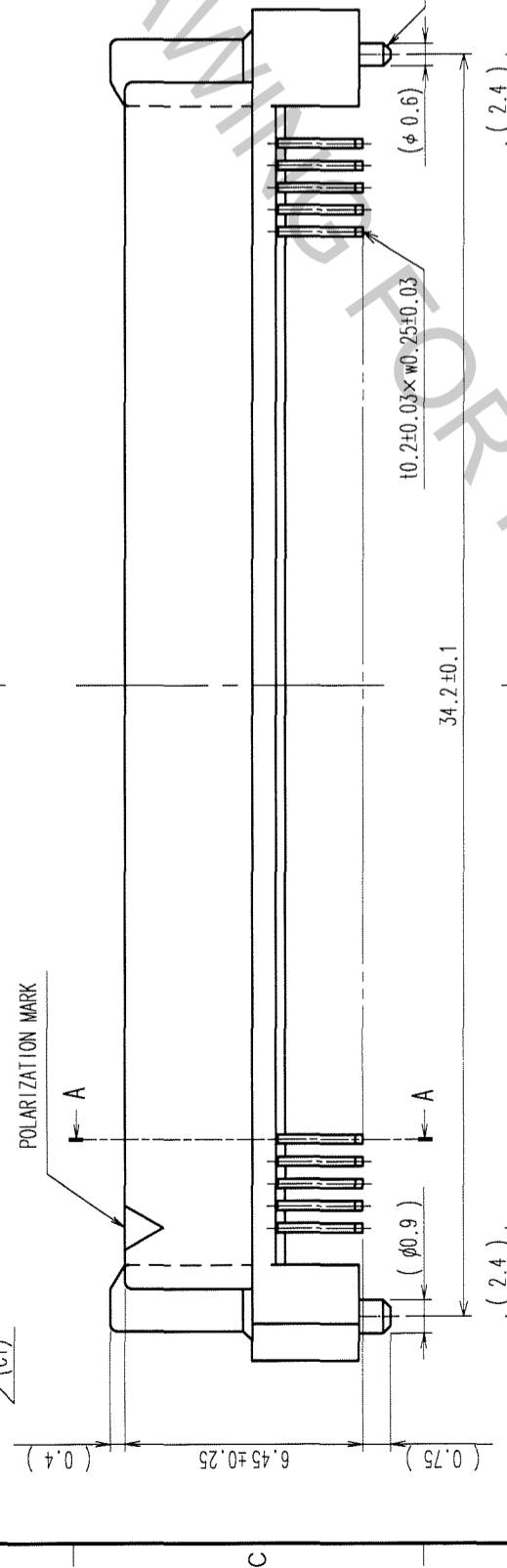
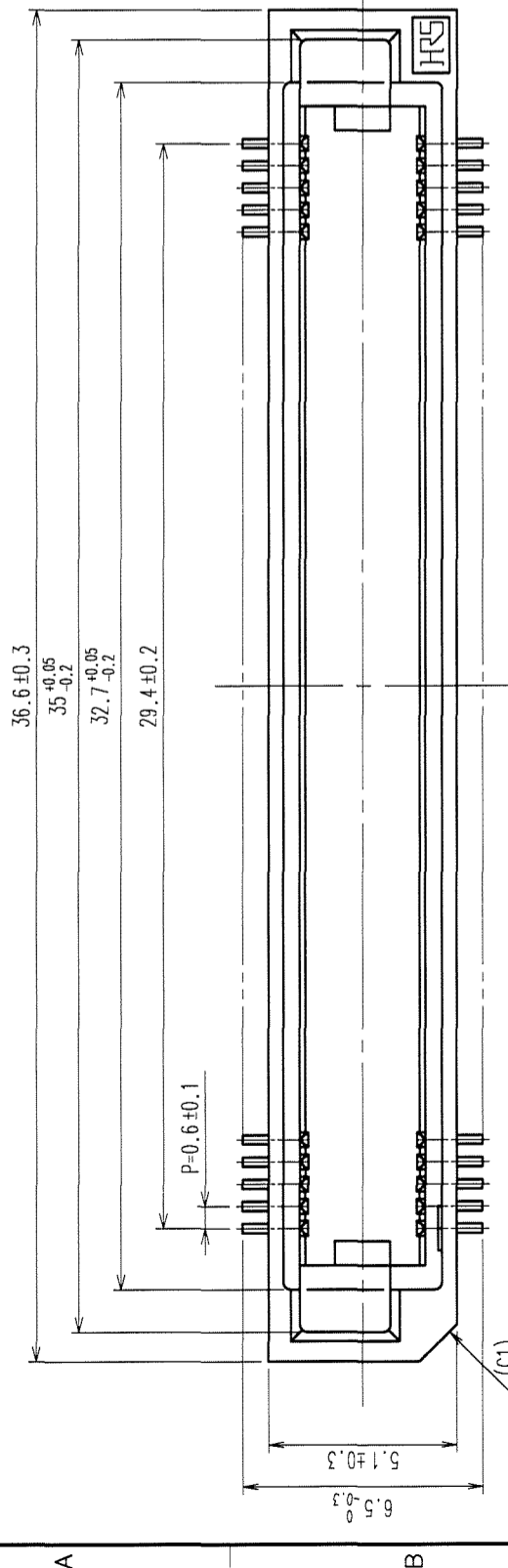
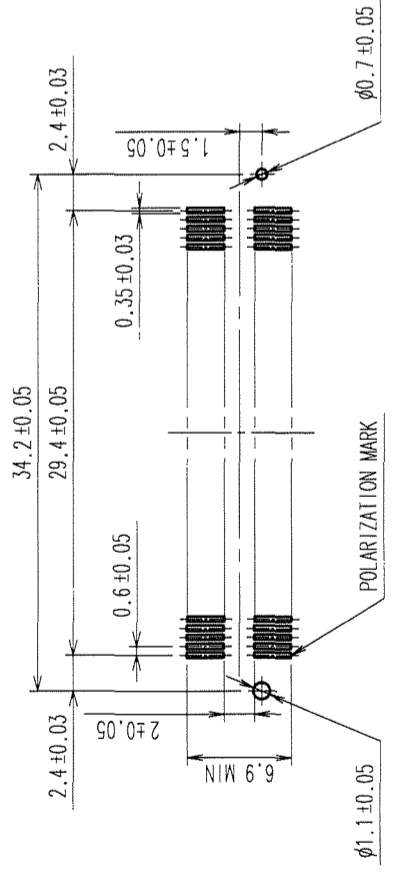


COUNT	DESCRIPTION OF REVISIONS	BY	CHKD	DATE	COUNT	DESCRIPTION OF REVISIONS	BY	CHKD	DATE
△					△				
△					△				
△					△				



NOTE 1. LEAD CO-PLANARITY SHALL BE 0.1mm MAX.  
 2. FOR MODIFICATION, ETC., PREVENTIVE HOLE FOR SINK MARK MAY BE ADDED ACCORDING TO CIRCUMSTANCES.  
 3. THE DIMENSIONS IN PARENTHESES ARE FOR REFERENCE.

RECOMMENDED LAND PATTERN DIMENSION OF PCB (MOUNTING SIDE) (2:1)



1	PPS	LIGHT BROWN (UL94V-0)	2	PHOSPHOR BRONZE	CONTACT AREA: GOLD 0.1μm min. LEAD AREA: TIN-PLATING 1μm min. UNDER PLATING: NICKEL 1μm min.
NO.	MATERIAL	FINISH, REMARKS	NO.	MATERIAL	FINISH, REMARKS
CL					
DRAWING NO.		PART NO.		APPROVED	
EDC3-150843-25		FX8C-100P-SV2(71)		H. Okawa	
SCALE		DRAWN		DESIGNED	
5 : 1		K. NAKAMURA		K. NAKAMURA	
UNITS		05.11.17		05.11.17	
mm					
5		6		7	
HIROSE ELECTRIC CO., LTD.		CL578-0545-4-71		1	
FORM NO. 229					

TO  
PCK