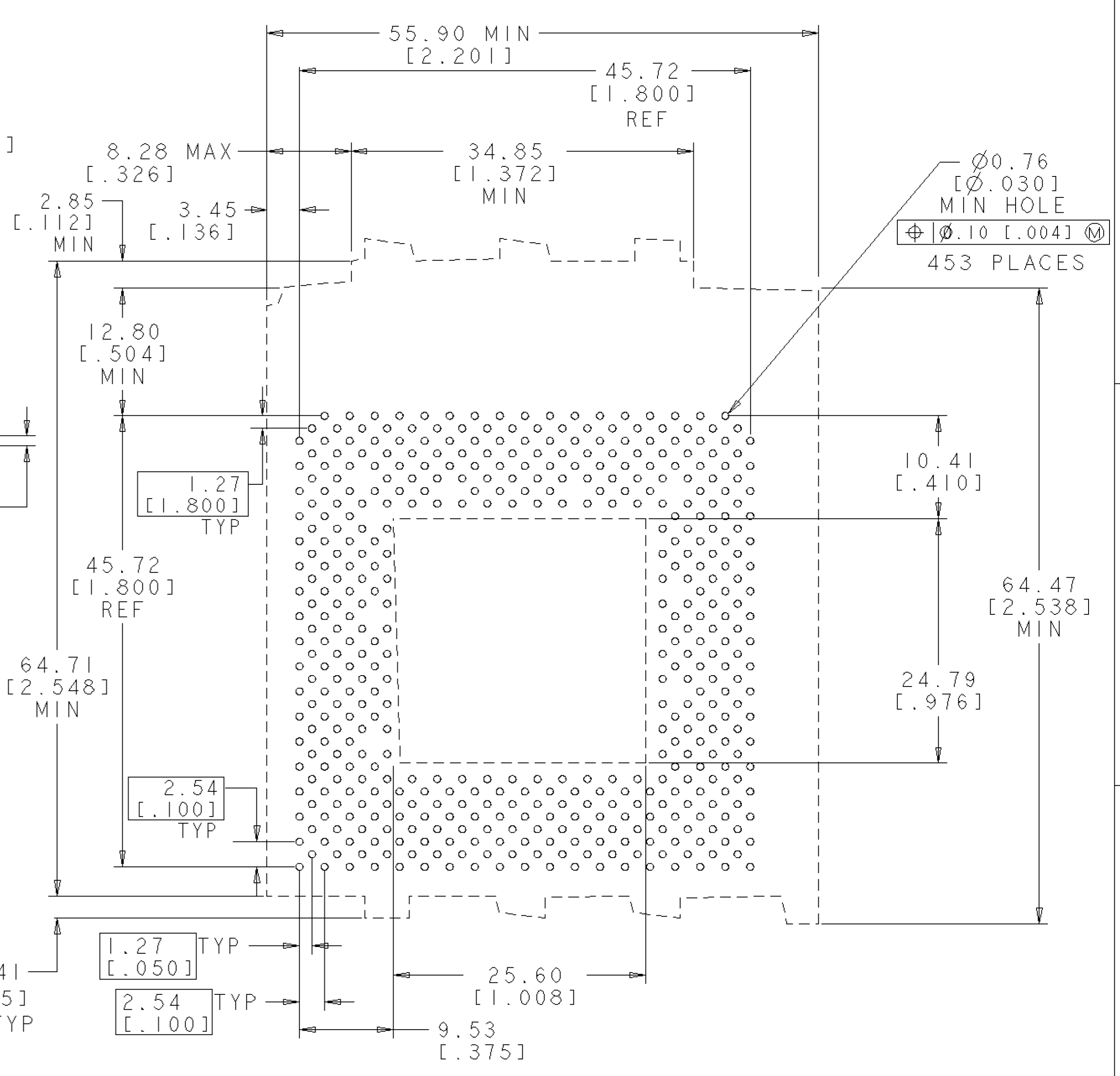
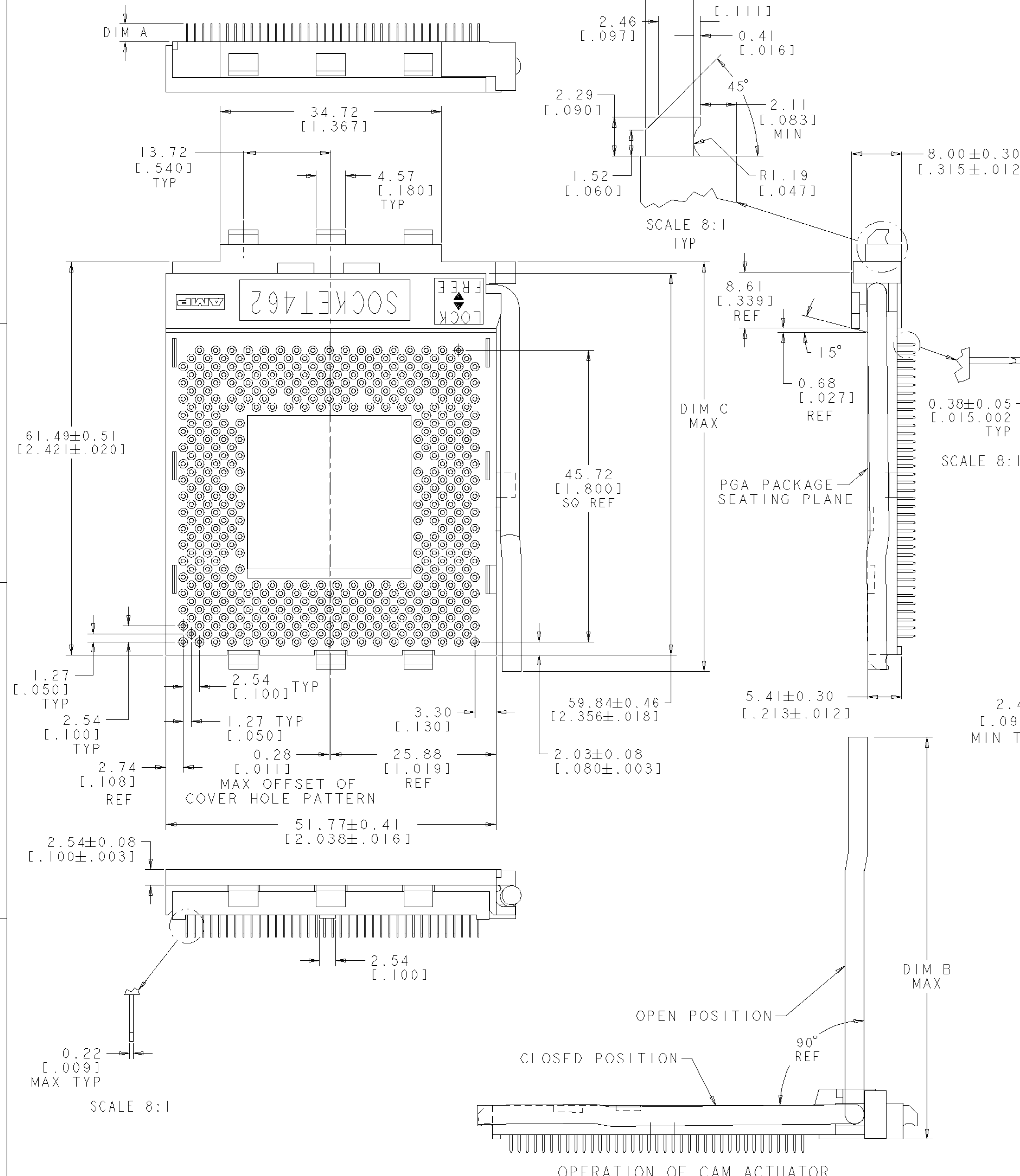


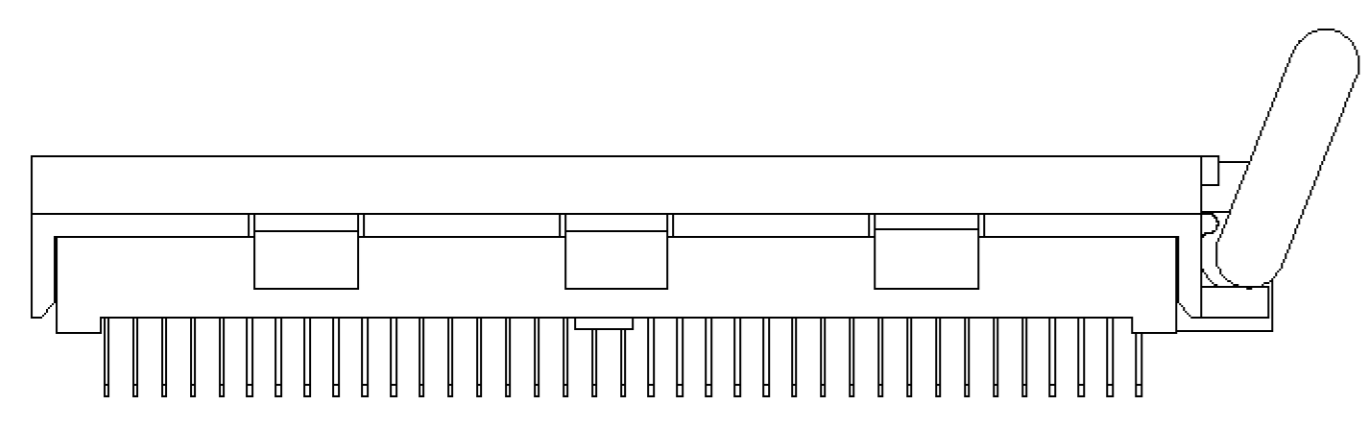
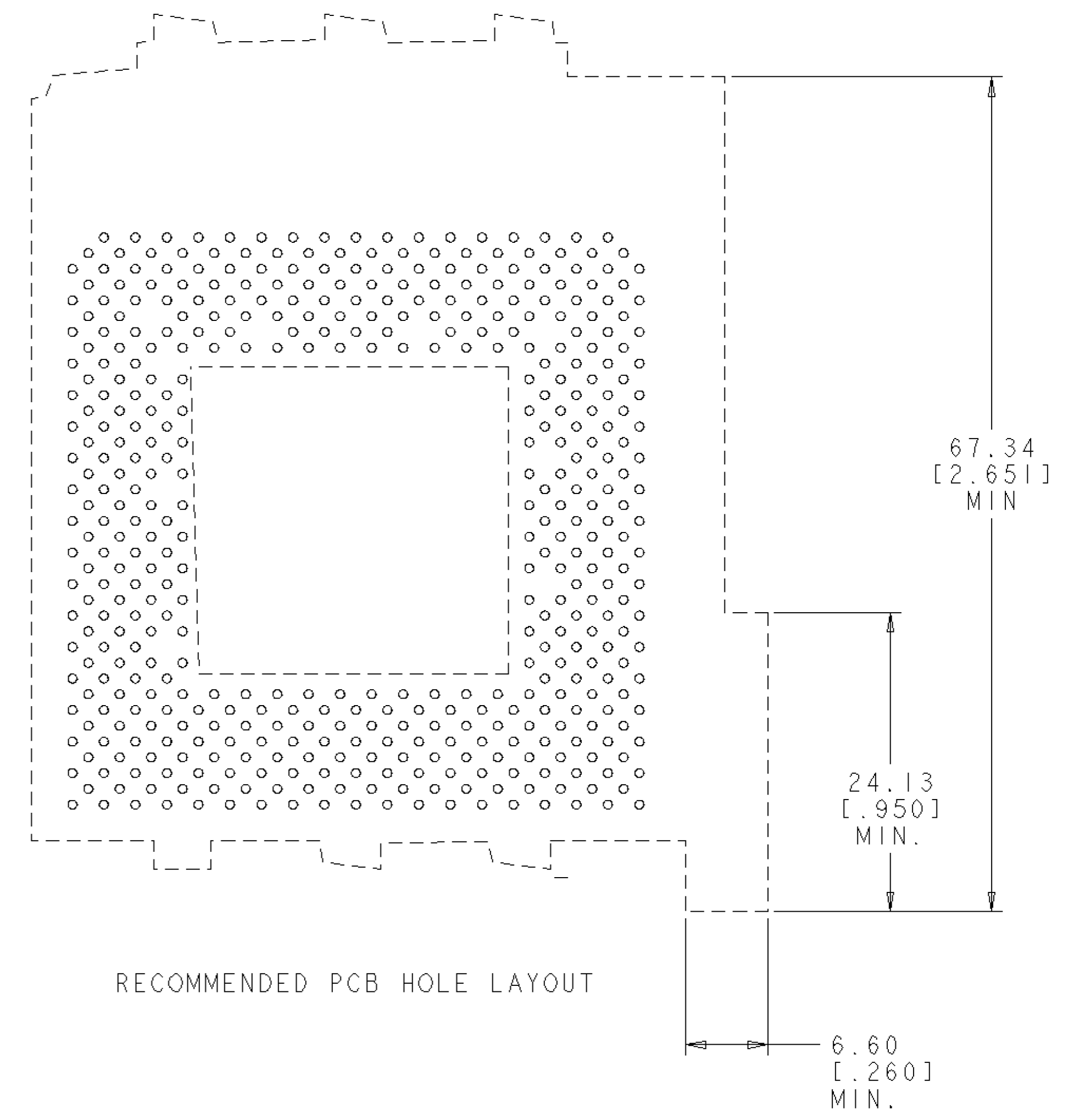
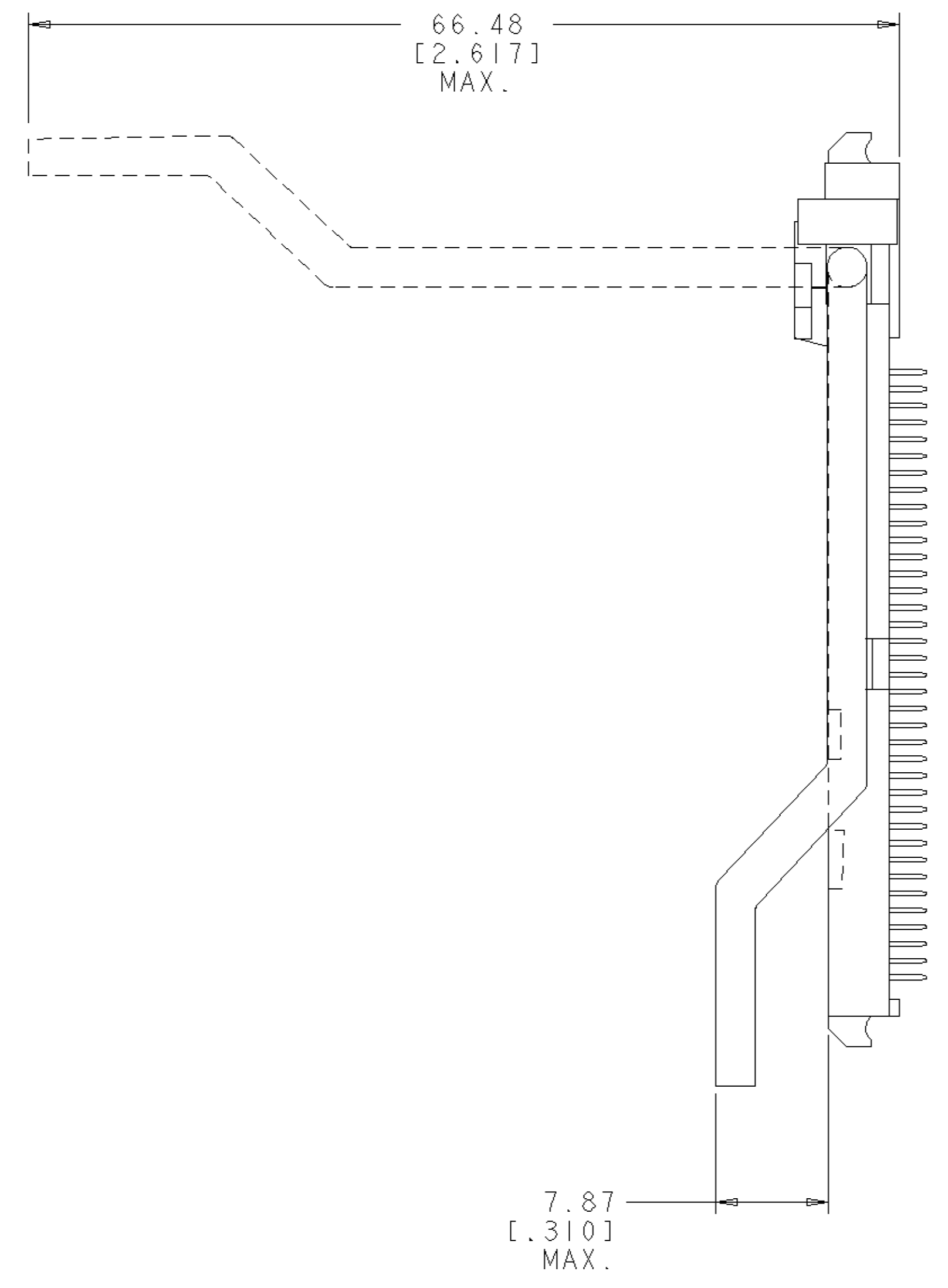
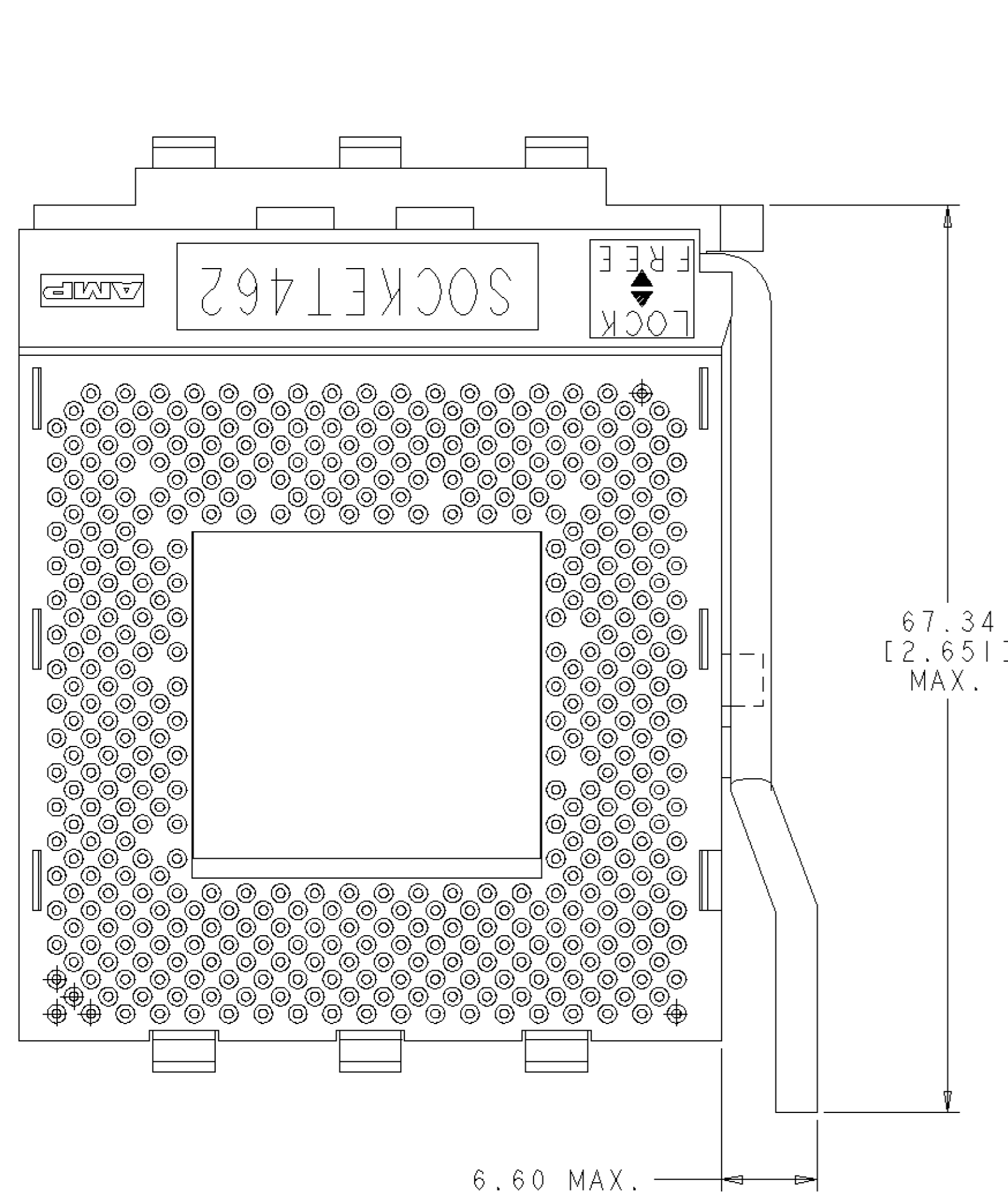
LOC		DIST		REVISIONS			
NO	BY	DATE	DESCRIPTION	DATE	BY	APPROV	
B		27 JUN 01	REVISED FP00-0242-01		LWY	LSF	



- MATERIAL: HOUSING AND COVER ARE HIGH TEMPERATURE THERMOPLASTIC, LIQUID CRYSTAL POLYMER (LCP), COLOR: NATURAL. LP SLZ LEVER MATERIAL IS STAINLESS STEEL. CONTACT MATERIAL IS COPPER ALLOY.
- FINISH: CONTACT AREA- GOLD THICKNESS PER TABLE OVER 0.0038 [0.000150] MIN. THICK NICKEL PLATE. SOLDERTAIL- 0.0038 [0.000150] MIN. THICK TIN-LEAD OVER 0.00127 [0.000050] MIN THICK NICKEL PLATE. CONTACT AREA SHALL BE FREE OF LUBRICANT.
- TRAY PACKAGED, 90 SOCKETS PER SHIPPING BOX.

SHEET	NO	DESCRIPTION	QTY	REVISION	PART NO.
SHEET 2	67.34 [2.651]	66.48 [2.617]	2.79 [.110]		FLASH 1-916788-4
SHEET 1	64.47 [2.538]	63.60 [2.504]	2.79 [.110]		FLASH 916788-4
SHEET 1	64.47 [2.538]	63.60 [2.504]	2.36 [.093]		FLASH 916788-3
SHEET 1	64.47 [2.538]	63.60 [2.504]	2.79 [.110]		0.00038 [0.000015] 916788-2
SHEET 1	64.47 [2.538]	63.60 [2.504]	2.36 [.093]		0.00038 [0.000015] 916788-1
VIEW	DIM C MAX. HANDLE HT. CLOSED POSITION	DIM B MAX. HANDLE HT. OPEN POSITION	SOLDERTAIL LENGTH DIM A ±0.25 [±.010]	MIN GOLD THICKNESS	PART NO.

THIS DRAWING IS A CONTROLLED DOCUMENT.		A. HOLT 12 APR 08		AMP MANUFACTURING (SINGAPORE) PTE. LTD.	
DIMENSIONS: (mm [INCHES])		TOLERANCES UNLESS OTHERWISE SPECIFIED:		NAME: SF. LEONG	
0 PLC	±	1 PLC	±0.30 [0.012]	PRODUCT SPEC: 108-1572	
1 PLC	±	2 PLC	±	APPLICATION SPEC: 114-1100	
3 PLC	±	4 PLC	±	SIZE: CARE CODE: DRAWING NO: 00779	
4 PLC	±	ANGLES:	±	RESTRICTED TO: AI 00779	
MATERIAL: △		FINISH: △		WEIGHT: -	
CUSTOMER DRAWING		SCALE: 3:1		SHEET 1 OF 2 REV B	



PART NUMBER: 1-916788-4

THIS DRAWING IS A CONTROLLED DOCUMENT.		A. HOLT 12 APR 08		AMP MANUFACTURING (SINGAPORE) PTE. LTD.	
DIMENSIONS: mm (INCHES)		TOLERANCES UNLESS OTHERWISE SPECIFIED:		NAME: B. KUHNLY	
0 PLC ±		1 PLC ±		APPROV: S. LEONG	
2 PLC ±		3 PLC ±		PRODUCT SPEC: 108-1572	
4 PLC ±		ANGLES ±		APPLICATION SPEC: 114-1100	
FINISH		MATERIAL		SIZE: A1	
WEIGHT		CUSTOMER DRAWING		CAGE CODE: 916788	
SCALE: 3:1		SHEET: 2 OF 2		REV: 8	