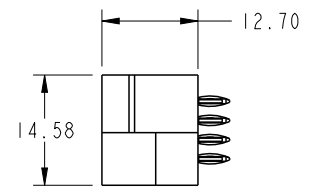
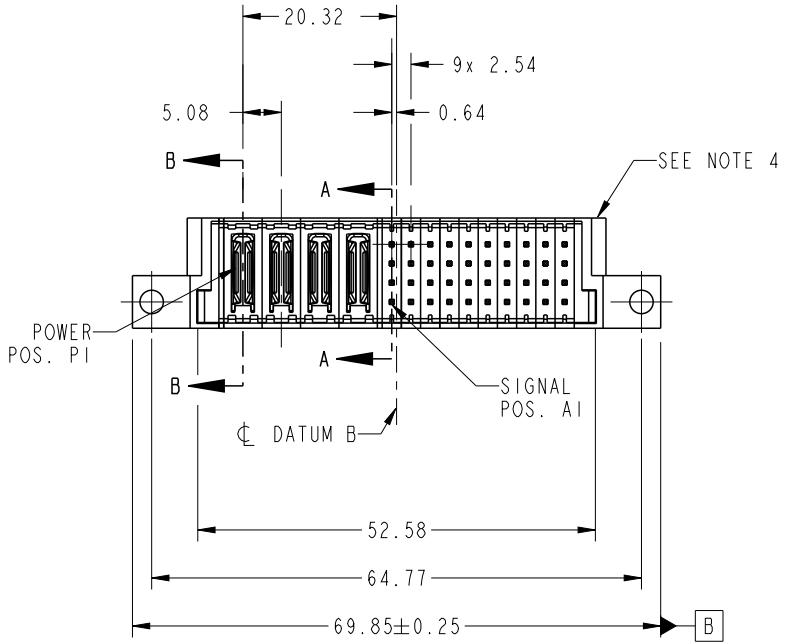
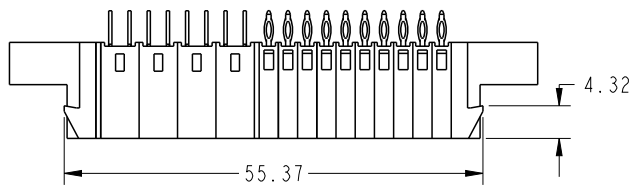




Copyright FCI.

PRODUCT NO. 51952-247-- NOTE ③	ROWS DCBA	POWER				SIGNAL									
		E1	P1	P2	P3	P4	1	2	3	4	5	6	7	8	9

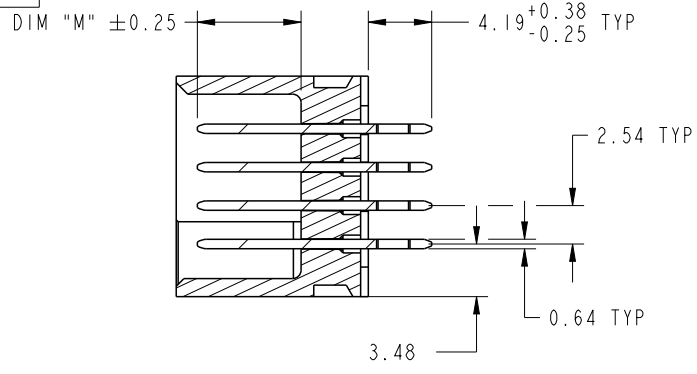


CODE	DIM "M" MATING LENGTH	CONTACT TYPE
PC	[N/A]	POWER
G	[6.86]	SIGNAL

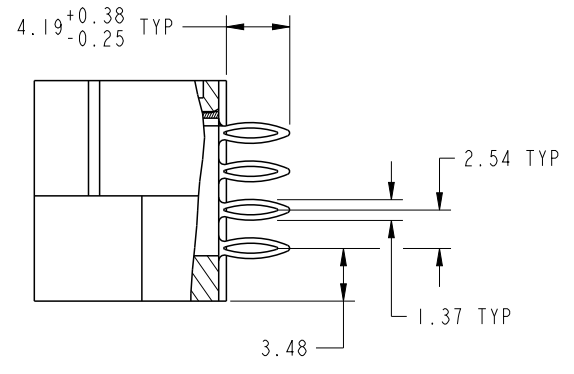
spec ref	See Notes			dr	Ruan MT	2013/06/09	projection	MM	size	A4	scale	1:1	
tolerance std	TOLERANCES UNLESS OTHERWISE SPECIFIED			eng	Ruan MT	2013/06/21			ecn no	-			
See Notes				chr	-	-				product family	PwrBlade		
surface	linear	0.X	±0.50	www.fci.com	title	4DCP+40S	cat. no.	&model_name	Product - Customer Drw	dwg no	51952-247	rev	A
		0.XX	±0.25										
	0.XXX	±0.10											
	angular	0°	±2°									sheet 1 of 4	

ProjE File - REV C - 2009-06-09

PRODUCT NUMBER
51952-247--
NOTE 3



SECTION A-A
SCALE 2:1



SECTION B-B
SCALE 2:1



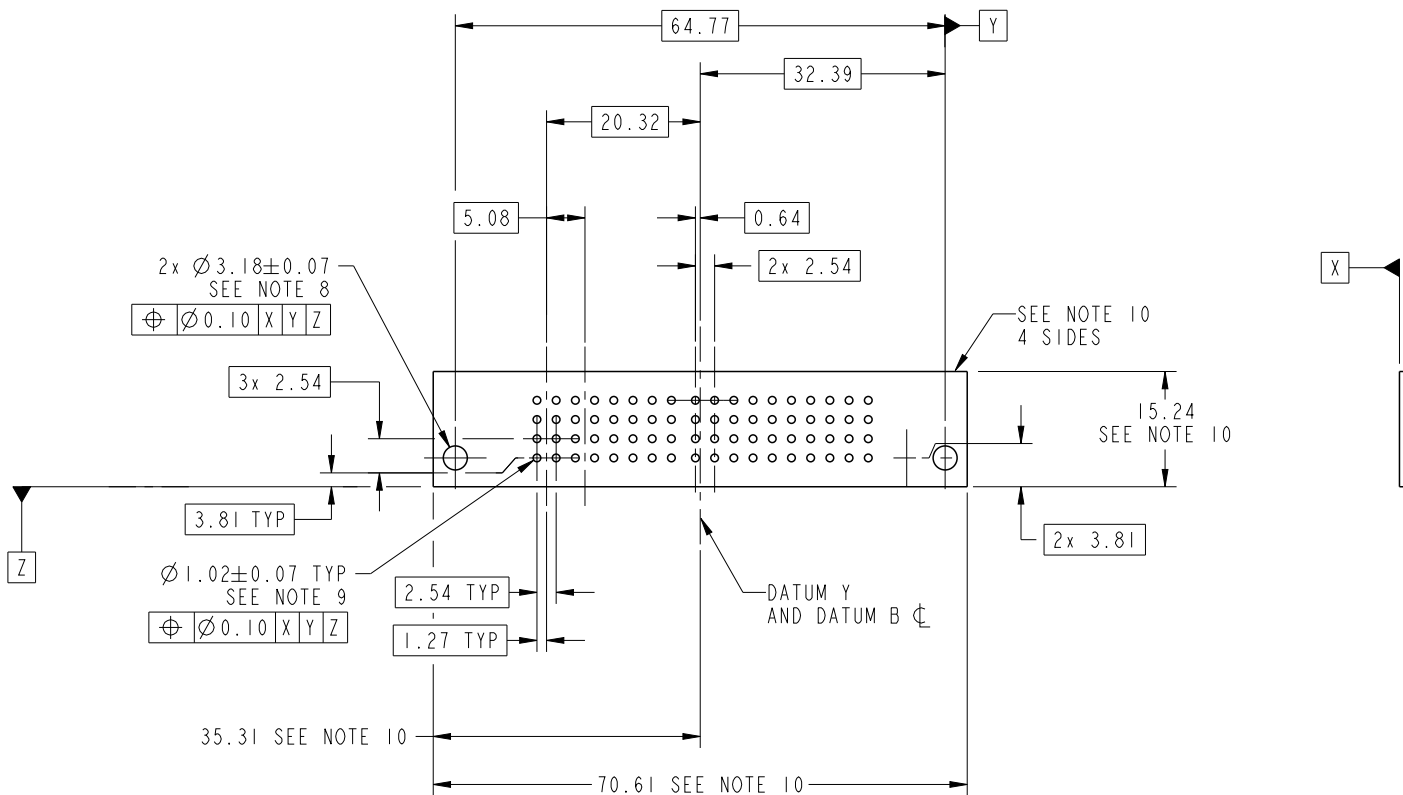
Copyright FCI.

dr	Ruan MT	2013/06/09	projection 	MM 	size	A4	scale	1:1	
eng	Ruan MT	2013/06/21			ecn no	-			
chr	-	-			rel level	Released			
appr	Pei-Ming Zheng	2013/06/21	product family	PwrBlade					
		title	4DCP+40S		dwg no	51952-247		rev	A
www.fci.com		cat. no.	&model_name	Product - Customer Drw		sheet 2 of 4			

Pro/E File - REV C - 2009-06-09

PRODUCT NUMBER

51952-247__
NOTE 3



RECOMMENDED PCB LAYOUT

dr	Ruan MT	2013/06/09	projection 	MM 	size	A4	scale	1:1	
eng	Ruan MT	2013/06/21			ecn no	-			
chr	-	-			rel level	Released			
appr	Pei-Ming Zheng	2013/06/21	product family	PwrBlade					
		title	4DCP+40S		dwg no	51952-247		rev	A
www.fci.com		cat. no.	&model_name	Product - Customer Drw		sheet 3 of 4			



Copyright FCI.

PRODUCT NUMBER

51952-247--
NOTE 3

NOTES:

1. DIMENSIONS AND TOLERANCES ARE IN ACCORDANCE WITH ASME Y14.5M, 1994 UNLESS OTHERWISE SPECIFIED.

CONNECTOR NOTES:

- 2 HOUSING MATERIAL: UL 94 V-0 GLASS FILLED HIGH-TEMP THERMOPLASTIC WHICH CAN WITHSTAND EXPOSURE TO 260°C PEAK TEMPERATURE FOR 10 SECONDS IN A CONVECTION INFRA-RAD OR VAPOR PHASE REFLOW OVEN.
POWER CONTACT MATERIAL: COPPER ALLOY
SIGNAL PIN MATERIAL: COPPER ALLOY
- 3. SEE ITEM 3 & 4 IN PRINT 10064183 FOR PLATING SPEC OF 51952-247 AND 51952-247LF RESPECTIVELY EXCEPT SOLDERING INFORMATION, SOLDERING INFORMATION REFER TO ABOVE NOTE 2.
- 4 MANUFACTURER'S NAME, DATE CODE AND OPTIONAL P/N TO APPEAR ON THIS SURFACE. THE MARK CAN BE OMITTED IF THERE IS NOT ENOUGH SPACE ON THIS SURFACE.
- 5. PRODUCT SPECIFICATION GS-12-149.
APPLICATION SPECIFICATION BUS-20-067 EXCEPT SOLDERING INFORMATION, SOLDERING INFORMATION REFER TO ABOVE NOTE 2.
- 6. PACKAGED IN TRAYS.

PCB NOTES:

- 7. ALL HOLE DIAMETERS ARE FINISHED HOLE SIZE.
- 8. MOUNTING HOLES, WHERE APPLICABLE, ARE UNPLATED.

9 $\varnothing 1.151 \pm 0.025$ DRILLED HOLES PLATED WITH 0.008 MIN SnPb OR Sn OVER .001 [0.03] TO 0.08 Cu PLATING TO ACHIEVE $\varnothing 1.02 \pm 0.07$ HOLE.

10. CONNECTOR KEEP-OUT ZONE FOR PRESS FIT APPLICATION USE FCI CAM TOOL 430169-XXX.

dr	Ruan MT	2013/06/09	projection 	MM 	size	A4	scale	1:1	
eng	Ruan MT	2013/06/21			ecn no	-			
chr	-	-							
appr	Pei-Ming Zheng	2013/06/21	product family	PwrBlade	rel level	Released			
		title	4DCP+40S VERTICAL PRESS FIT HEADER		dwg no	51952-247		rev	A
www.fci.com		cat. no.	&model_name	Product - Customer Drw		sheet 4 of 4			



Copyright FCI.