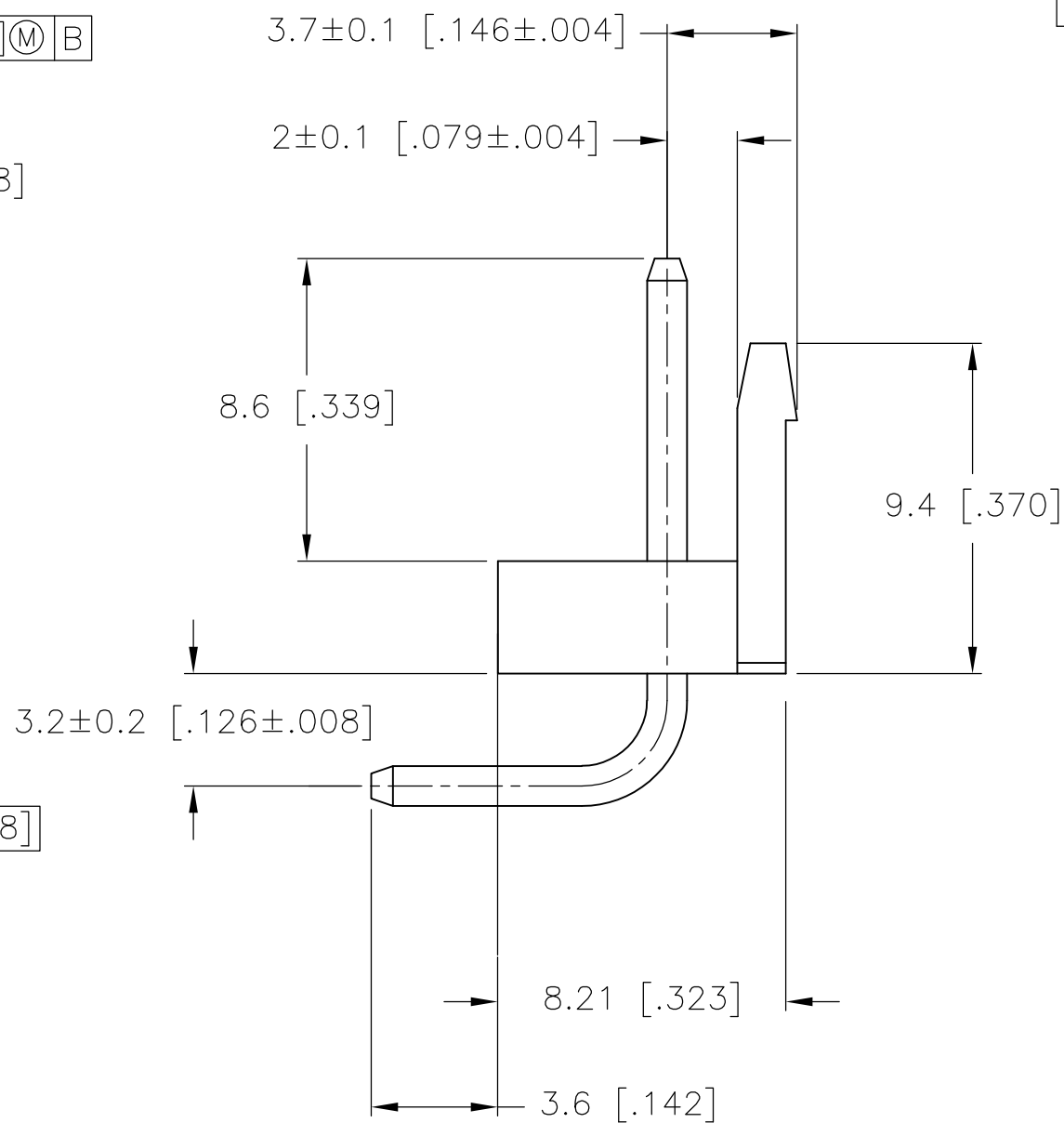
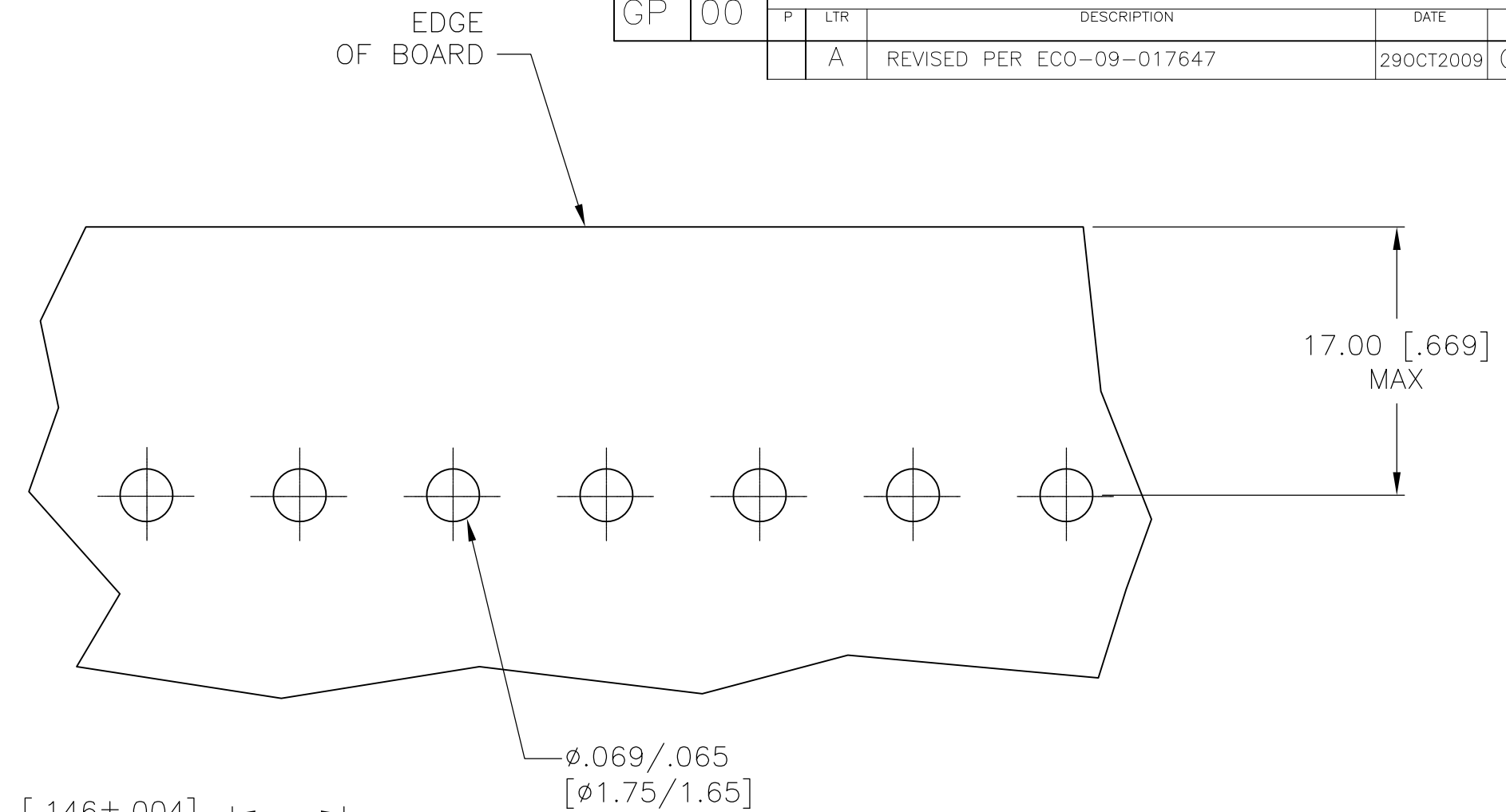
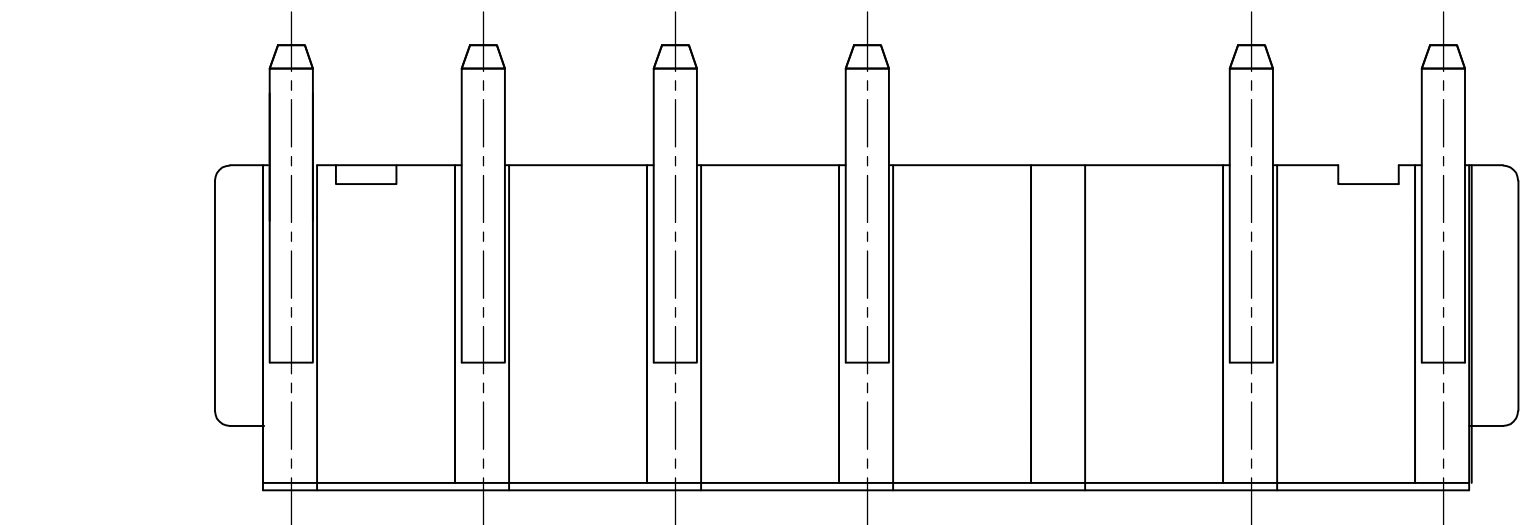
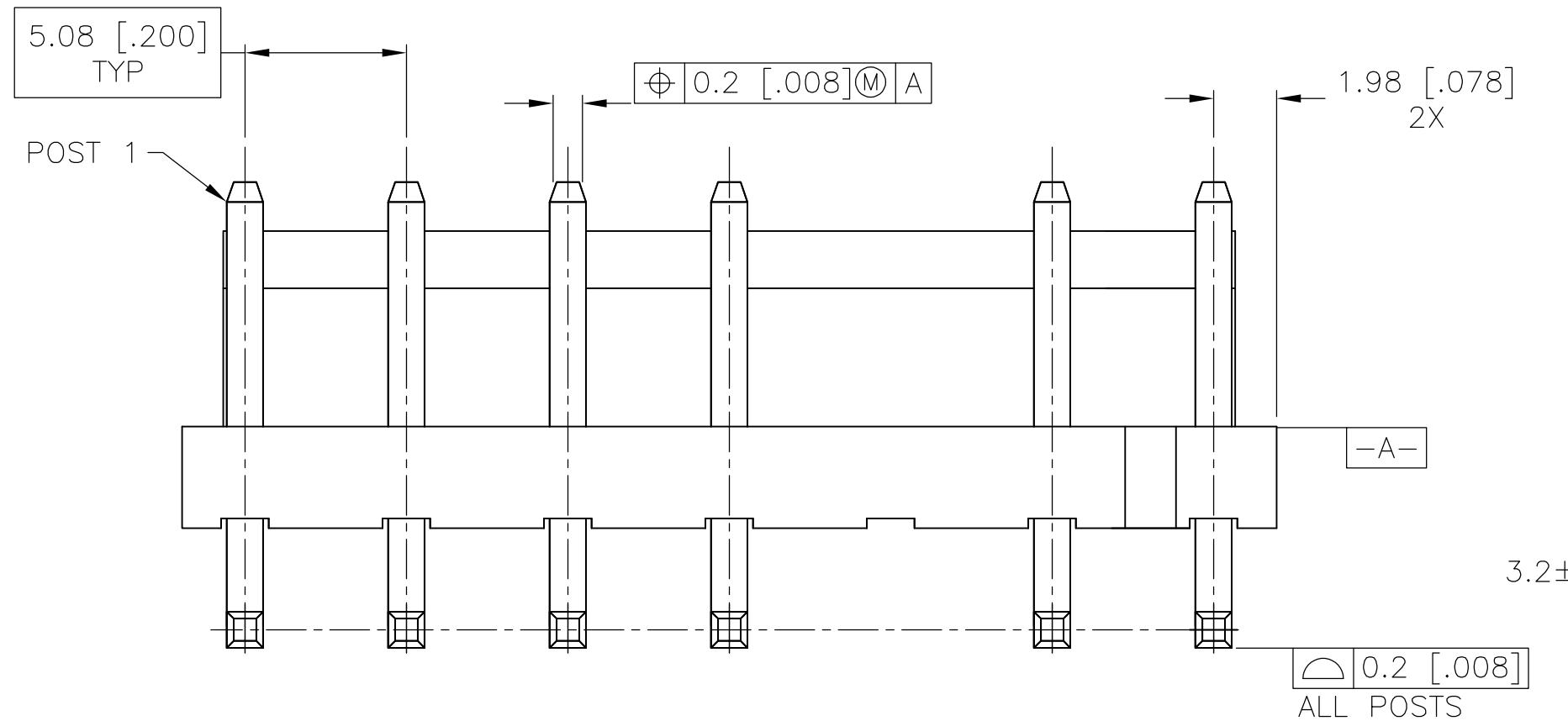
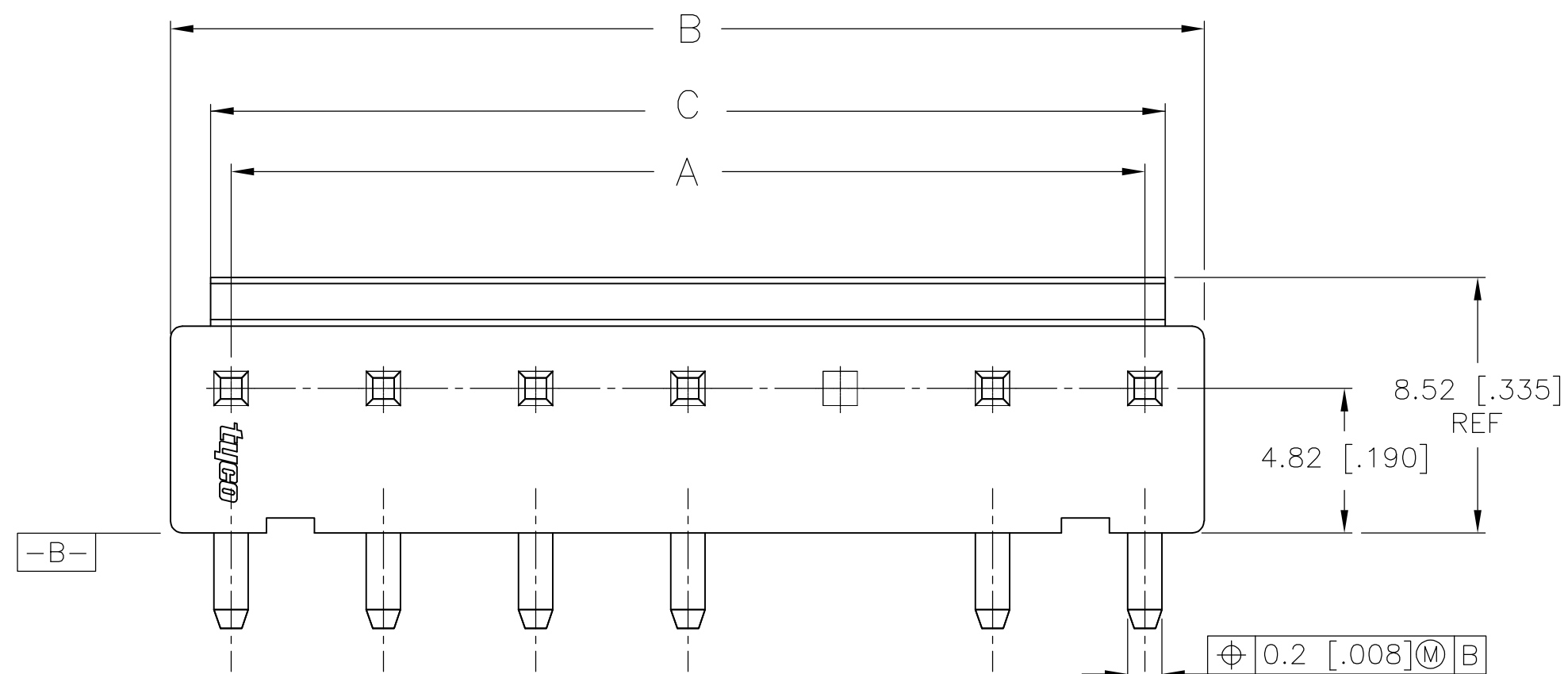


THIS DRAWING IS UNPUBLISHED. RELEASED FOR PUBLICATION
 © COPYRIGHT BY TYCO ELECTRONICS CORPORATION. ALL RIGHTS RESERVED.

LOC		DIST		REVISIONS			
P	LTR	DESCRIPTION	DATE	DWN	APVD		
GP	00	A	REVISED PER ECO-09-017647	29OCT2009	CR	CR	



1. HOUSING MATERIAL: NYLON 66, UL 94V-0, NATURAL.
2. CONTACT MATERIAL: COPPER ALLOY
3. CONTACT PLATING: 0.003[.000120] MIN TIN OVER 0.001[.000039] MIN NICKEL.

31.82 [1.253]	34.44 [1.356]	30.48 [1.200]	1744067-7
DIM C ±0.2 [0.08]	DIM B ±0.3 [0.12]	DIM A ±0.3 [0.12]	PART NUMBER

METRIC

THIS DRAWING IS A CONTROLLED DOCUMENT.

DIMENSIONS: mm [INCHES]	TOLERANCES UNLESS OTHERWISE SPECIFIED:	DWN S. HOOVER 28-APR-2004	Tyco Electronics Corporation Harrisburg, Pa 17105-3608
	0 PLC ± -	CHK J. ELLIS 28-APR-2004	
	1 PLC ± 0.25 [0.010]	APVD J. ELLIS 28-APR-2004	
	2 PLC ± 0.15 [0.006]	PRODUCT SPEC	
MATERIAL	FINISH	APPLICATION SPEC	NAME
SEE NOTES		WEIGHT	HEADER ASSEMBLY-ECONOMY POWER RIGHT ANGLE, .200 CENTER LINE, 7 POSITION, OMIT NO. 5
		CUSTOMER DRAWING	SIZE A2 CAGE CODE 00779 DRAWING NO. C=1744067 RESTRICTED TO -
			SCALE 5:1 SHEET 1 OF 1 REV A