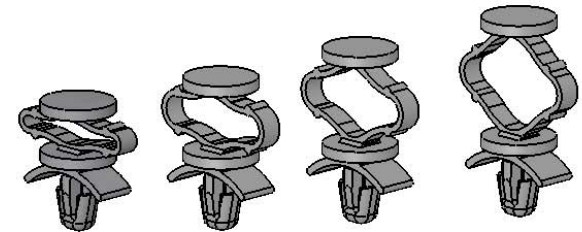
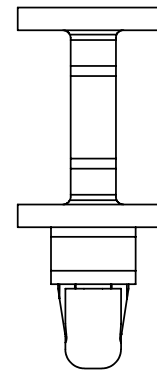
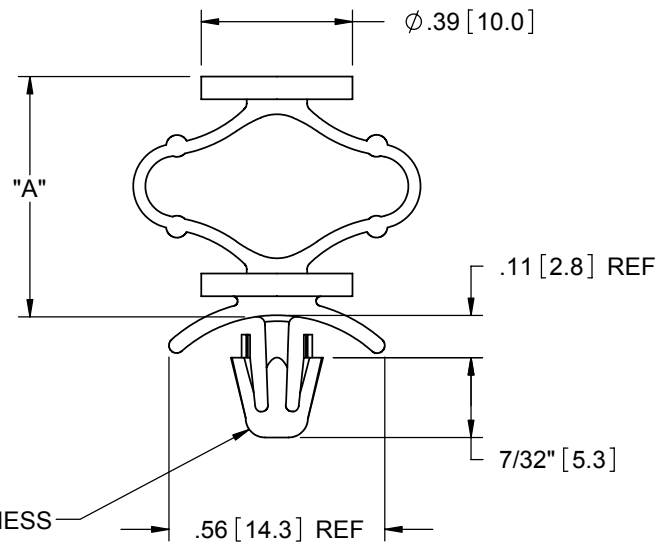
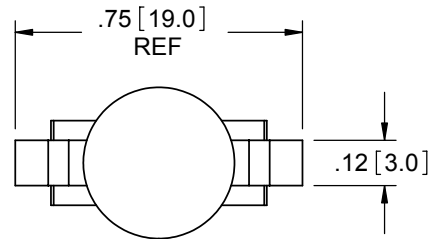


PART NO.	DIM. "A"
PSC-1	3/8 [9.5]
PSC-2	1/2 [12.7]
PSC-3	5/8 [15.9]
PSC-4	3/4 [19.1]



TO SNAP-LOCK IN A .187±.003  
[4.75±0.08] DIA. HOLE, IN A  
.031-.078 [0.79-1.98] PANEL THICKNESS

- NOTES:  
1. MATERIAL: IMPACT MODIFIED NYLON 6/6  
UV STABILIZED UL 94 HB (RMS-73)  
2. COLOR: NATURAL.

TITLE: <b>PUSH SPACER, CUSHION</b>					
CREATED USING SOLIDWORKS	FILE #: PSC	DWN: SK	APP: SK	FINAL	
TOLERANCES UNLESS NOTED .XX=±.010 .XXX=±.005 FRAC.=±1/64 ANG.=±1°	SHEET: 1 OF 1	SHEET SIZE: A	DT: 07/07/05	CHKD: DJZ	PART #
RE: RICHCO, INC.	RICHCO, INC. ENG@RICHCO-INC.COM (773) 539-4060		SEE TABLE		PRINT TYPE <b>CA</b>

REV.	DESCRIPTION	ENGR.	DATE
C	SEE ECN #1208 FOR CHANGES	SK	11/29/06
B	SEE ECN #1121 FOR CHANGES	SK	01/13/06
A	RELEASED FOR PRODUCTION	SK	08/10/05