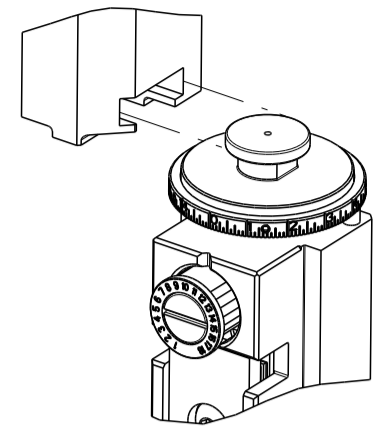



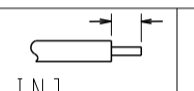









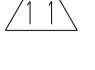
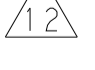


ATLANTIC VERSION TERMINATOR INTERFACE ADAPTER	PART NUMBER	REVISION	DESCRIPTION	FEED TYPE	APPLICATOR STYLE CONVERSION CHART						
					CONVERT TO	PART NUMBERS REQUIRED					
	2150524-2	B	FINE CRIMP HEIGHT ADJUST	PNEUMATIC	-	-	-	-	-	-	
	2150524-5	B	FINE CRIMP HEIGHT ADJUST	SERVO LATCH PLATE 	SERVO LATCH PLATE	2119951-1	1901697-1	8-2150524-5	-	-	2168400-7 (QUANTITY 2)
					SMART APPLICATOR	2161326-1	-	8-2150524-4	-	-	-
	2150524-6	B	NON-CRIMP HEIGHT ADJUST	SERVO LATCH PLATE 	PNEUMATIC FEED	2119950-1	2119792-3	-	2119641-1	-	2063440-2
					-	-	-	-	-	-	-
	2150524-7	B	FINE CRIMP HEIGHT ADJUST	NONE	-	-	-	-	-	-	-
	7-2150524-7	A	CRIMP TOOLING KIT	-	-	-	-	-	-	-	-


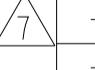
APPLICATOR DATA		
CRIMP	SIZE	TYPE
WIRE	5.33 mm [.210]	F
INSUL	7.62 mm [.300]	O
APPL INSTRUCTIONS 408-10390 		

TERMINAL DATA: TE TERMINAL		TE CRIMP SPECIFICATION	
TERMINAL NAME: RING TERMINAL			
WIRE STRIP LENGTH		INSULATION DIAMETER RANGE	
4.39-5.16 mm [.173-.203 IN]		Ø3.81-5.59 mm [.150-.220 IN]	
TERMINAL APPLICATION SPECIFICATION	114-2084		
TERMINALS APPLIED 			
TE TERMINAL	TE TERMINAL	TE TERMINAL	TE TERMINAL
61289-1	42947-2	42947-4	
42946-2	42947-3	640012-2	

WIRE SIZE	CRIMP HEIGHT mm [INCH]	CRIMP HEIGHT REFERENCE SETTING
8 AWG	4.04 +/- 0.05 [.159 +/- .002]	2.3
10 AWG	3.53 +/- 0.05 [.139 +/- .002]	8.4
12 AWG	3.23 +/- 0.05 [.127 +/- .002]	11.9









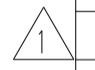




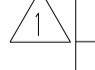

-  RECOMMENDED SPARE PARTS
-  GREASE BEARING SURFACES LIGHTLY
- 3. LUBRICATE DAILY PER THE APPLICATOR INSTRUCTION SHEET SUPPLIED WITH THE APPLICATOR.
-  APPLICATOR SPECIFIC DATA TO BE ENTERED INTO BLANK MEMORY CHIP AT ASSEMBLY. SEE BELOW FOR PART NUMBER:  
 PNEUMATIC FEED WITH "SMART APPLICATOR" CONVERSION: 8-2150524-4  
 SERVO FEED WITH "FINE CRIMP HEIGHT ADJUST": 8-2150524-5  
 SERVO FEED WITH "NON-CRIMP HEIGHT ADJUST": 8-2150524-6
- 5. ADJUSTMENT OF THE STRIPPER MAY BE REQUIRED WHEN MOVING THE APPLICATOR BETWEEN BENCH AND LEADMAKER APPLICATIONS.
-  APPLY PART NUMBER 1-23419-5 LOCTITE TO THREADS OF ITEMS 62 & 180. APPLY PART NUMBER 2-23419-6 LOCTITE TO THREADS OF ITEM 242. FOR -6 ONLY APPLY PART NUMBER 1-23419-5 LOCTITE TO THREADS OF ITEMS 37 & 180.
-  GREASE THREADS, GROOVE AND O-RING ON ITEMS 35 & 252.
-  MAGNET, ITEM 166 MUST BE ORIENTED CORRECTLY IN ORDER TO PROPERLY ACTUATE THE COUNTER.
-  CRIMP HEIGHT REFERENCE SETTING WAS THE SETTING USED WHEN THE APPLICATOR WAS QUALIFIED AT THE FACTORY. ADJUSTMENT MAY BE NECESSARY WHEN RUNNING APPLICATOR IN THE FIELD.
-  TERMINAL PITCH NOT COMPATIBLE WITH MECHANICAL FEED.
-  WHEN ASSEMBLING -6 NON-CRIMP HEIGHT ADJUST APPLICATOR USE SHIM PACK 2119957-2 TO ALIGN APPLICATOR'S MAXIMUM WIRE CRIMP HEIGHT AT NORMAL TERMINATOR SHUT HEIGHT.
-  TERMINAL LUBRICANT IS RECOMMENDED.

**\*WARNING**  
 ON INSTALLATION, SET WIRE DISC, ITEM 40 TO LARGEST WIRE SIZE SETTING. USE OF SETTINGS BELOW MINIMUM REQUIRED CRIMP HEIGHT SETTING WILL CAUSE DAMAGE TO CRIMP TOOLING.

	-	-	1	-	-	2119957-2	APPLICATOR SHIM PACK	260
	-	1	-	1	1	8-21084-0	O-RING, .676 ID, .070 DIA. MAT.	252
	-	-	-	-	1	2119640-1	PUSH ROD, AIR FEED	250
	-	-	-	-	1	2079988-1	BUSHING, LCH5-12, MISUMI	249
	-77	-7	-6	-5	-2	PART NO	DESCRIPTION	ITEM NO

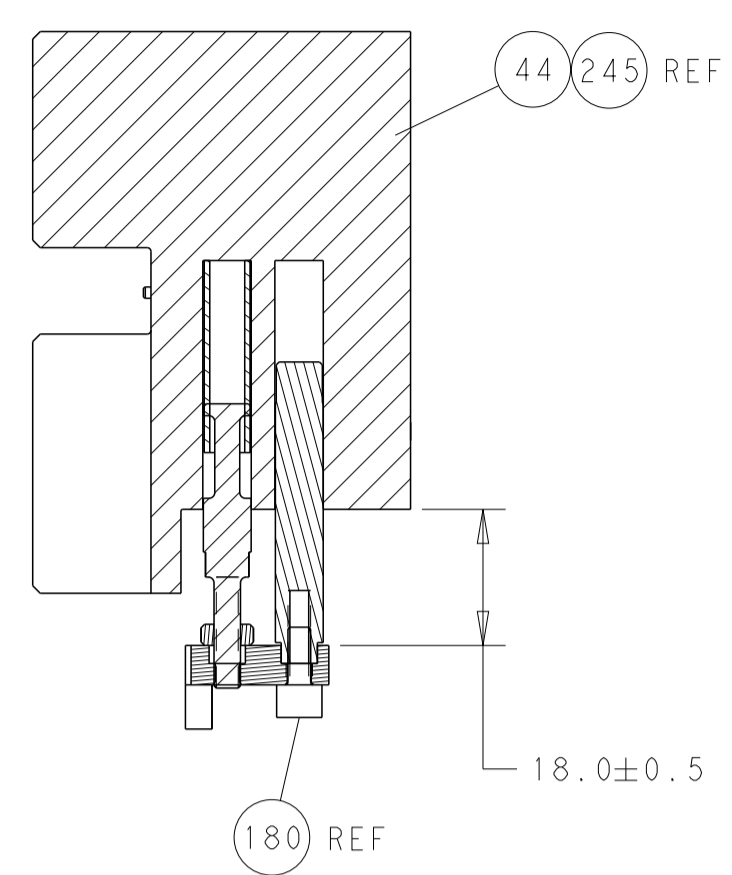
**ATLANTIC VERSION**  
 Shown on sheets 1 of 4 & 2 of 4  
 (Pacific version shown on sheets 3 of 4 & 4 of 4)

SET UP GAUGE	LOC	DIST	REVISIONS			
2119599-2	A	66	REV	DATE	BY	APPD
			B	ECR-16-006093	26APR2016	MR GB

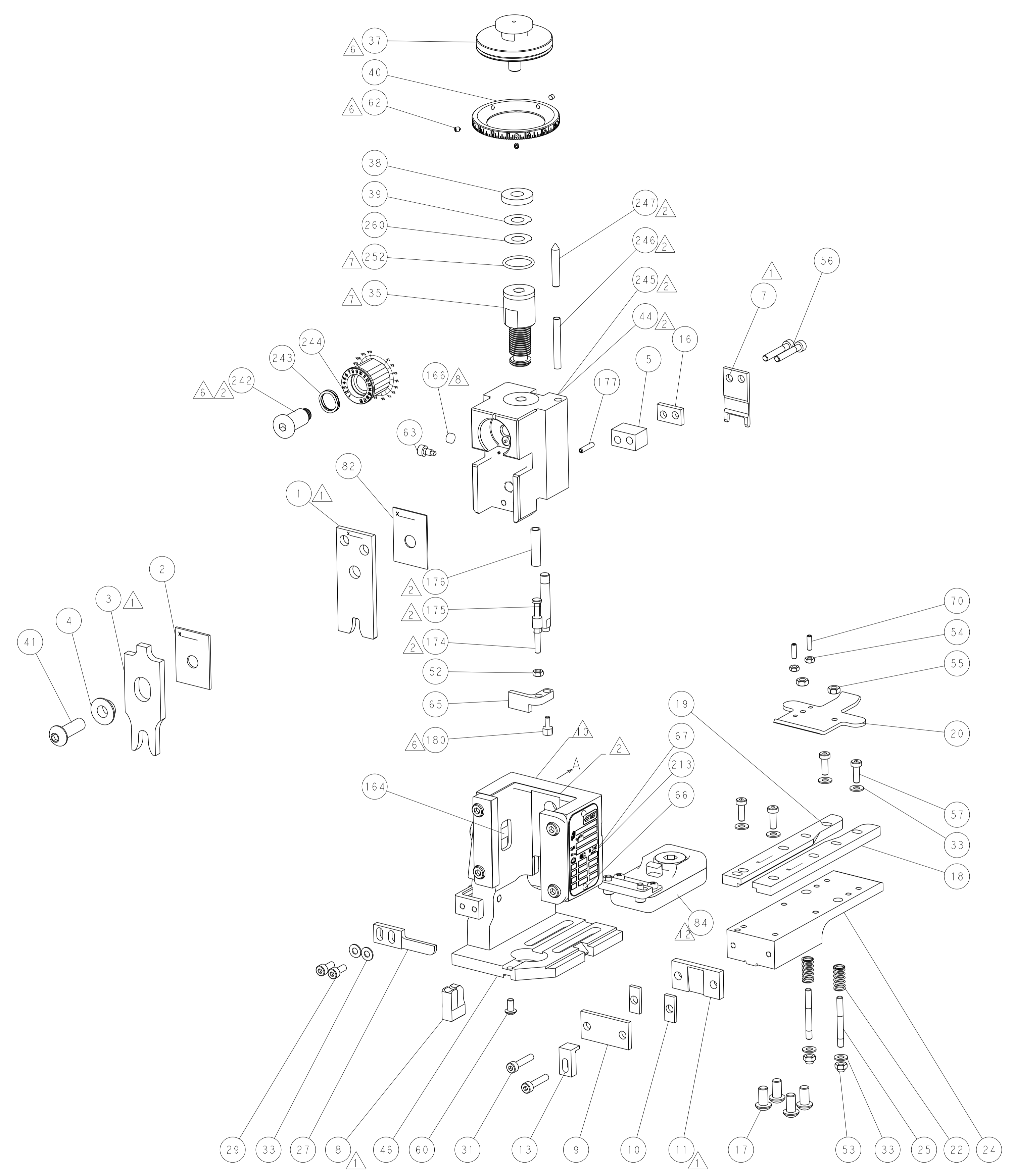
-	-	-	-	1	2119641-1	FEED CAM, AIR FEED	248	
-	1	-	1	1	2119798-1	DETENT PIN	247	
-	1	-	1	1	1-22279-3	SPRING, COMPRESSION	246	
-	-	1	-	-	2119759-1	RAM, AMP STYLE, END FEED, NON-ADJUST	245	
-	1	1	1	1	2119082-5	CAM, SNAIL, INSULATION ADJUSTMENT	244	
-	1	1	1	1	2079764-1	WASHER, WAVE SPRING, CREST-TO-CREST	243	
	1	1	1	1	2119083-1	RETAINER, INSULATION DIAL	242	
-	-	2	2	-	2168400-7	SHCS, LOW HEAD, RoHS, M5 X 10	240	
-	-	-	-	1	2063440-2	AIR FEED MODULE	238	
-	-	1	1	-	2119740-2	TAG, IDENTIFICATION	213	
-	-	REFREF	-	-	1901697-1	FEED FINGER ASSEMBLY, EF	183	
	1	1	1	1	1752354-2	STANDOFF, HOLD-DOWN	180	
-	1	1	1	1	6-993111-6	PIN, SLOTTED SPRING 3.0 X 14.0	177	
-	1	1	1	1	8-22280-7	SPRING, COMPRESSION	176	
-	1	1	1	1	1752353-2	GUIDE PIN, HOLDDOWN	175	
-	1	1	1	1	1901680-2	GUIDE PIN, HOLDDOWN	174	
-	-	-	-	2	21045-3	RING, RETAIN, EXTERN, 3/16 CRESCENT	172	
	1	1	1	1	994969-1	MAGNET, RARE EARTH HIGH ENERGY	166	
-	-	REFREF	REFREF	-	994970-2	COUNTER, MAGNETIC	164	
-	-	-	-	1	240638-1	SPRING, FEED FINGER	163	
-	-	-	-	1	3-23627-7	PIN, RETAIN, GRVD, 3/16 X .854	137	
-	-	REFREF	-	-	-	SEE NOTE 4	MEMORY CHIP, PROGRAMMED	135
-	-	1	1	-	1633743-1	SERVO FEED LATCH ASM	133	
	1	1	1	1	2119955-2	ASSY, LUBRICATOR, END FEED	84	
-	1	1	1	1	455888-7	SPACER, CRIMPER	82	
-	1	1	1	1	2119956-2	DOCUMENTATION PACKAGE	71	
-	2	2	2	2	2-18032-2	SCR, SET, FLT POINT M3 X 10.0	70	
-	1	-	-	1	2119740-1	TAG, IDENTIFICATION	67	
-	2	2	2	2	2168078-1	SCREW, DRIVE, RH, RoHS, 2 x .188	66	
-	1	1	1	1	1901681-1	HOLDDOWN, TERMINAL	65	
	1	-	1	1	2119793-1	LIMITER, ADJUSTMENT BOLT	63	
	3	-	3	3	992763-5	SCR, SET, SOC, CONE POINT, M3 X 4.0	62	
-	1	1	1	1	2079383-4	SCR, BHSC, RoHS (M4 X 8)	60	
-	4	4	4	4	2168400-1	SHCS, LOW HEAD, RoHS, M4 X 12	57	
-	2	2	2	2	1-2168083-2	SCR, SKT HD CAP, RoHS, M4 X 25	56	
-	2	2	2	2	5018030-2	NUT, HEX, REG, RoHS, M4	55	
-	2	2	2	2	5018030-1	NUT, HEX, REG, RoHS, M3	54	
-	2	2	2	2	986965-8	NUT, LOCK, HEX, TORQUE (M4)	53	
-	1	1	1	1	1-5018030-0	NUT, HEX, REG, RoHS, M3.5	52	
-	-	-	-	1	2119792-3	PAWL, EF, AIR	51	
-	-	-	-	1	18023-9	SCR, SKT HD CAP M4 X 6.0	49	
-	1	1	1	1	2119655-5	APPLICATOR BASIC ASSEMBLY, EF	46	
-	1	-	1	1	2119369-1	RAM, AMP STYLE, END FEED	44	
-	1	1	1	1	2079383-7	SCR, BHSC, RoHS (M8 X 25)	41	
-	1	-	1	1	2119645-1	DISC, NUMBERED FA WIRE ADJUSTMENT	40	
-	1	-	1	1	2119957-1	APPLICATOR SHIM PACK	39	
-	1	1	1	1	2119644-5	RAM WASHER, PRECISION	38	
	1	1	1	1	2119085-1	FA HEAD, ATLANTIC STYLE	37	
	1	-	1	1	2119092-1	BOLT, ADJUSTMENT	35	
-	8	8	8	8	1-18028-2	WASHER, FLAT, REG M4	33	
-	2	2	2	2	2168083-9	SCR, SKT HD CAP, RoHS, M4 X 20	31	
-	2	2	2	2	1-2168083-0	SCR, SKT HD CAP, RoHS, M4 X 10	29	
-	1	1	1	1	240639-1	STRIPPER (MACHINING)	27	
-	2	2	2	2	1320906-1	STUD, THREADED	25	
-	1	1	1	1	1752371-5	PLATE, STRIP GUIDE	24	
-	2	2	2	2	2-22281-3	SPRING, COMPRESSION	22	
-	1	1	1	1	1752373-4	DRAG	20	
-	1	1	1	1	4-1901696-1	STRIP GUIDE, REAR	19	
-	1	1	1	1	4-1901695-1	STRIP GUIDE, FRONT	18	
-	4	4	4	4	1-2079383-1	SCR, BHSC, RoHS (M6 X 12)	17	
-	1	1	1	1	3-240641-0	SPACER	16	
-	1	1	1	1	1752360-1	SPACER, HOLD-DOWN	13	
	1	1	1	1	240644-1	PLATE, REAR SHEAR	11	
	2	2	2	2	1-240645-1	SPACER, SHEAR PLATE	10	
	1	1	1	1	240642-1	PLATE, FRONT SHEAR	9	
	1	1	1	1	1-1803059-9	ANVIL, COMBINATION, END FEED	8	
	1	1	1	1	8-240651-2	BLADE, SLUG	7	
-	-	-	-	-	-	-	6	
-	1	1	1	1	7-240641-3	SPACER	5	
-	1	1	1	1	238009-5	BLOCK, FL CRIMPER SPACER	4	
	1	1	1	1	8-1633965-4	CRIMPER, INSULATION O PREMIUM	3	
-	1	1	1	1	1-455888-4	SPACER, CRIMPER	2	
	1	1	1	1	1-456430-6	CRIMPER, WIRE	1	
-77	-7	-6	-5	-2	PART NO	DESCRIPTION	ITEM NO	

DIMENSIONS:		TOLERANCES UNLESS OTHERWISE SPECIFIED:		DWG		CHK		DATE	
mm	0 PLC ±.5	1 PLC ±.5	2 PLC ±.5	3 PLC ±.5	4 PLC ±.5	5 PLC ±.5	6 PLC ±.5	J. HOU	12JAN2015
	ANGLES ±.0001							L. ZHANG	12JAN2015
MATERIAL:	FINISH:	WEIGHT:	SCALE:	APVD:	U. GUO	12JAN2015	NAME:	Ocean End Feed Applicator	
				PRODUCT SPEC:			SIZE:	CAGE CODE:	DRAWING NO:
				APPLICATION SPEC:			A1	00779	2150524
				RESTRICTED TO:			Customer Accessible Production Drawing	SCALE:	1:1
							SHEET:	1	OF 4
							REV:	B	

LOC		DIST		REVISIONS			
A	66	P	LTM	DESCRIPTION	DATE	OWN	APVD
		-		SEE SHEET 1			

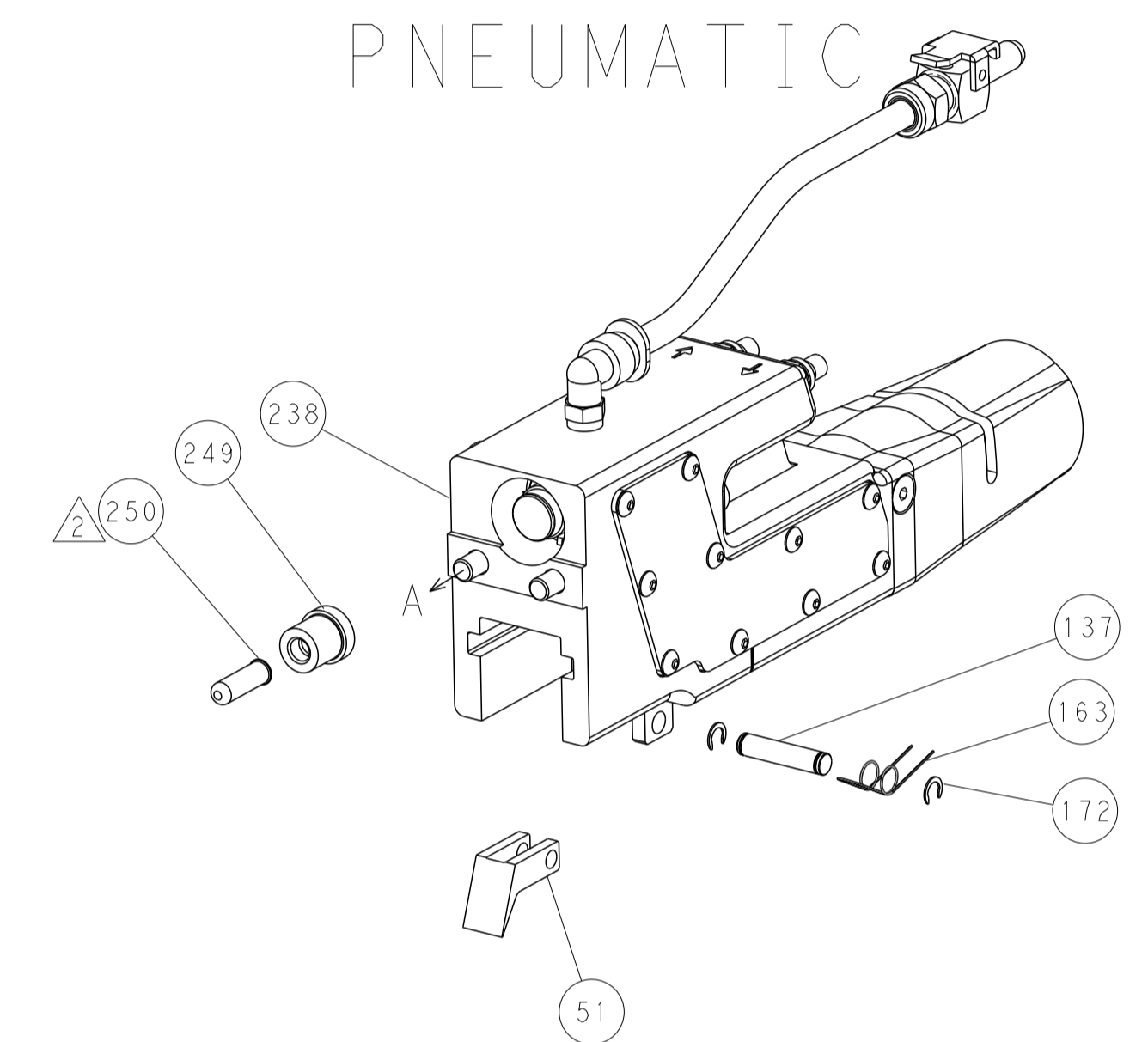


HOLDDOWN SET-UP

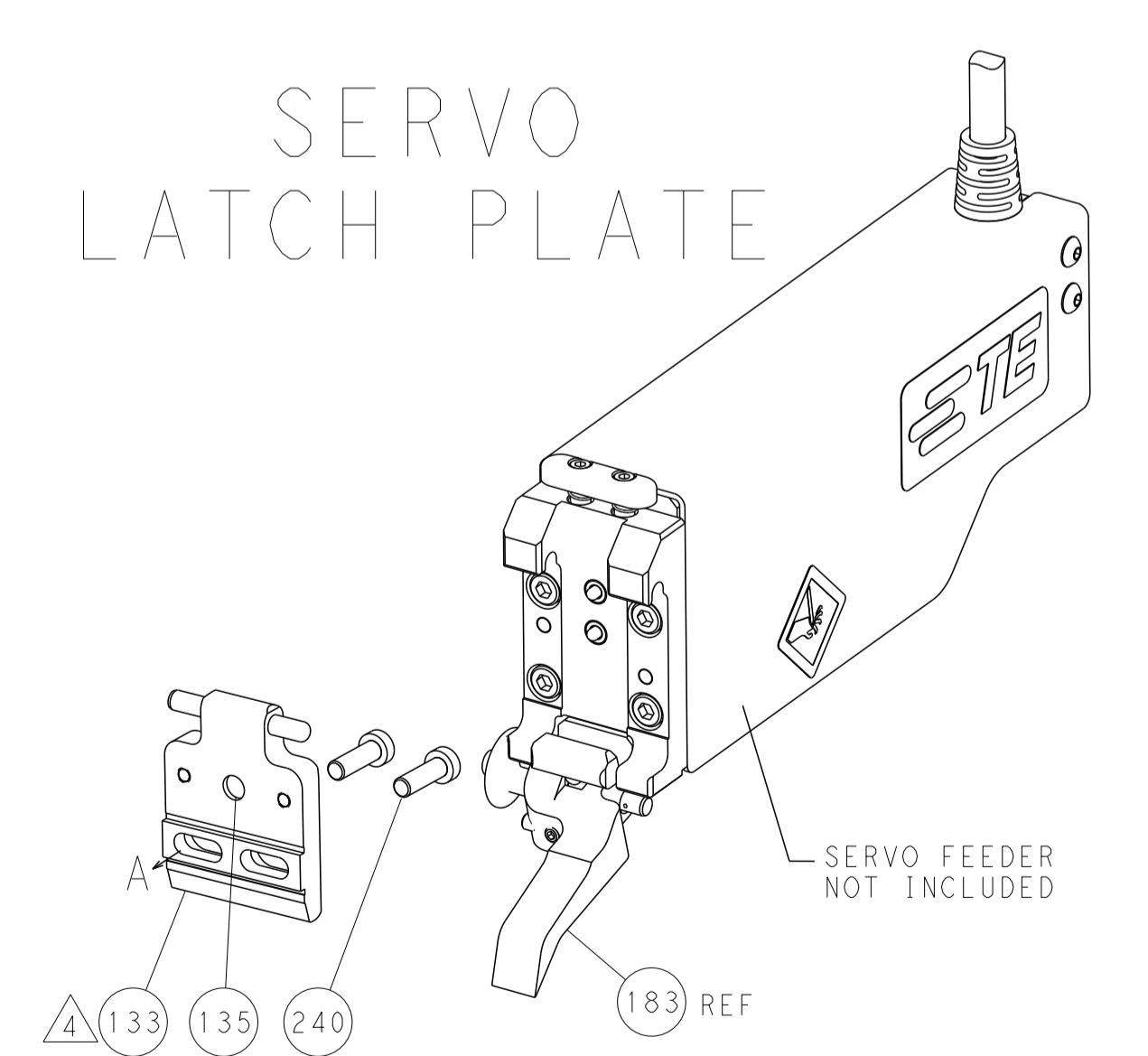


FEED TYPE

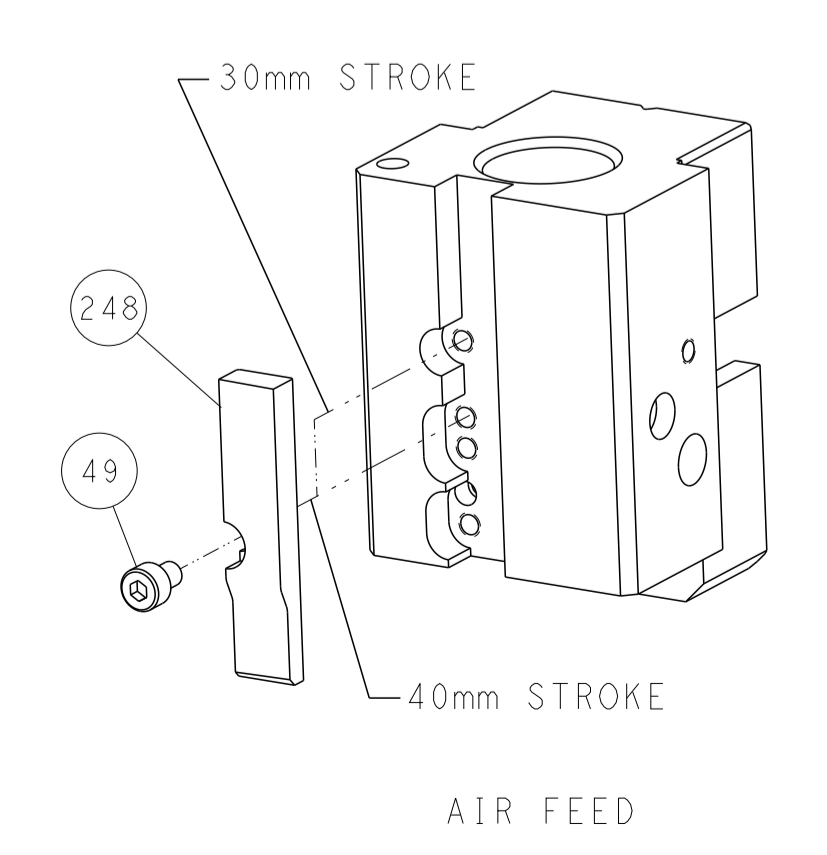
PNEUMATIC



SERVO LATCH PLATE



CAM POSITION



AIR FEED

**ATLANTIC VERSION**  
 Shown on sheets 1 of 4 & 2 of 4  
 (Pacific version shown on sheets 3 of 4 & 4 of 4)

DIMENSIONS:		TOLERANCES UNLESS OTHERWISE SPECIFIED:		OWN	J. HOU	12JAN2015	TE Connectivity Harrisburg, PA 17105-3608
mm	0 PLC ±0.5	1 PLC ±0.5	2 PLC ±0.13	CHK	L. ZHANG	12JAN2015	
MATERIAL:		FINISH:		APVD	J. GUO	12JAN2015	NAME
				PRODUCT SPEC			Ocean End Feed Applicator
				APPLICATION SPEC			
				WEIGHT			SIZE
				Customer Accessible Production Drawing			CAGE CODE
				SCALE			DRAWING NO
				1:1			00779
				SHEET			RESTRICTED TO
				2 OF 4			
				REV			
				B			

PACIFIC VERSION TERMINATOR INTERFACE ADAPTER	PART NUMBER	REVISION	DESCRIPTION	FEED TYPE	CONVERT TO	PART NUMBERS REQUIRED					
	2-2150524-2	B	FINE CRIMP HEIGHT ADJUST	PNEUMATIC	SERVO LATCH PLATE	2119951-1	1901697-1	8-2150524-5	-	-	2168400-7 (QUANTITY 2)
	2-2150524-5	B	FINE CRIMP HEIGHT ADJUST	SERVO LATCH PLATE <sup>4</sup>	SMART APPLICATOR	2161326-1	-	8-2150524-4	-	-	-
	2-2150524-7	B	FINE CRIMP HEIGHT ADJUST	NONE	PNEUMATIC FEED	2119950-1	2119792-3	-	2119641-2	-	2063440-2
	7-2150524-7	A	CRIMP TOOLING KIT	-	-	-	-	-	-	-	-

APPLICATOR DATA		
CRIMP	SIZE	TYPE
WIRE	5.33 mm [ .210 ]	F
INSUL	7.62 mm [ .300 ]	O
APPL INSTRUCTIONS 408-10390		

TERMINAL DATA: TE TERMINAL		TE CRIMP SPECIFICATION	
TERMINAL NAME: RING TERMINAL			
WIRE STRIP LENGTH 4.39-5.16 mm [ .173-.203 IN ]		INSULATION DIAMETER RANGE Ø3.81-5.59 mm [ .150-.220 IN ]	
TERMINAL APPLICATION SPECIFICATION	114-2084	-	
TERMINALS APPLIED			
TE TERMINAL	TE TERMINAL	TE TERMINAL	TE TERMINAL
61289-1	42947-2	42947-4	
42946-2	42947-3	640012-2	

WIRE SIZE	CRIMP HEIGHT mm [INCH]	CRIMP HEIGHT REFERENCE SETTING <sup>9</sup>
8 AWG	4.04 +/- 0.05 [ .159 +/- .002 ]	2.3
10 AWG	3.53 +/- 0.05 [ .139 +/- .002 ]	8.4
12 AWG	3.23 +/- 0.05 [ .127 +/- .002 ]	11.9

- RECOMMENDED SPARE PARTS
- GREASE BEARING SURFACES LIGHTLY
- 3. LUBRICATE DAILY PER THE APPLICATOR INSTRUCTION SHEET SUPPLIED WITH THE APPLICATOR.
- <sup>4</sup> APPLICATOR SPECIFIC DATA TO BE ENTERED INTO BLANK MEMORY CHIP AT ASSEMBLY. SEE BELOW FOR PART NUMBER:  
PNEUMATIC FEED WITH "SMART APPLICATOR" CONVERSION: 8-2150524-4  
SERVO FEED WITH "FINE CRIMP HEIGHT ADJUST": 8-2150524-5
- 5. ADJUSTMENT OF THE STRIPPER MAY BE REQUIRED WHEN MOVING THE APPLICATOR BETWEEN BENCH AND LEADMAKER APPLICATIONS.
- <sup>6</sup> APPLY PART NUMBER 1-23419-5 LOCTITE TO THREADS OF ITEMS 62 & 180. APPLY PART NUMBER 2-23419-6 LOCTITE TO THREADS OF ITEM 242.
- GREASE THREADS, GROOVE AND O-RING ON ITEMS 139 & 153.
- MAGNET, ITEM 166 MUST BE ORIENTED CORRECTLY IN ORDER TO PROPERLY ACTUATE THE COUNTER.
- <sup>9</sup> CRIMP HEIGHT REFERENCE SETTING WAS THE SETTING USED WHEN THE APPLICATOR WAS QUALIFIED AT THE FACTORY. ADJUSTMENT MAY BE NECESSARY WHEN RUNNING APPLICATOR IN THE FIELD.
- <sup>10</sup> TERMINAL PITCH NOT COMPATIBLE WITH MECHANICAL FEED.
- <sup>11</sup> TERMINAL LUBRICANT IS RECOMMENDED.

**\*WARNING**  
ON INSTALLATION, SET WIRE DISC, ITEM 40 TO LARGEST WIRE SIZE SETTING. USE OF SETTINGS BELOW MINIMUM REQUIRED CRIMP HEIGHT SETTING WILL CAUSE DAMAGE TO CRIMP TOOLING.

-	1	1	1	2119782-1	FINE ADJUST HEAD ASM, PACIFIC STYLE	251	
-	-	-	1	2119640-1	PUSH ROD, AIR FEED	250	
-	77	27	25	22	PART NO	DESCRIPTION	ITEM NO

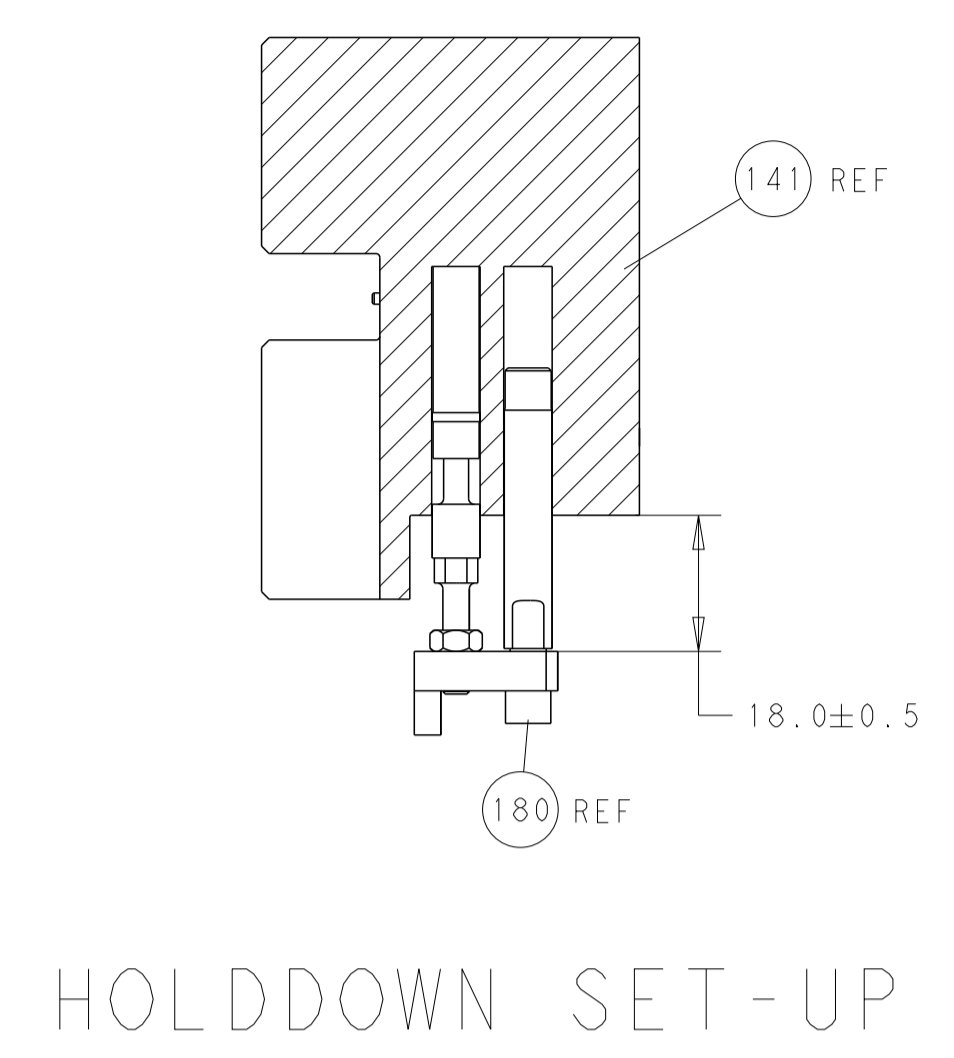
**PACIFIC VERSION**  
Shown on sheets 3 of 4 & 4 of 4  
(Atlantic version shown on sheets 1 of 4 & 2 of 4)

SET UP GAUGE	LOC	DIST	REVISIONS			
2119599-2	A	66	REV	DATE	BY	APPD
-	-	-	1	SEE SHEET 1	-	-

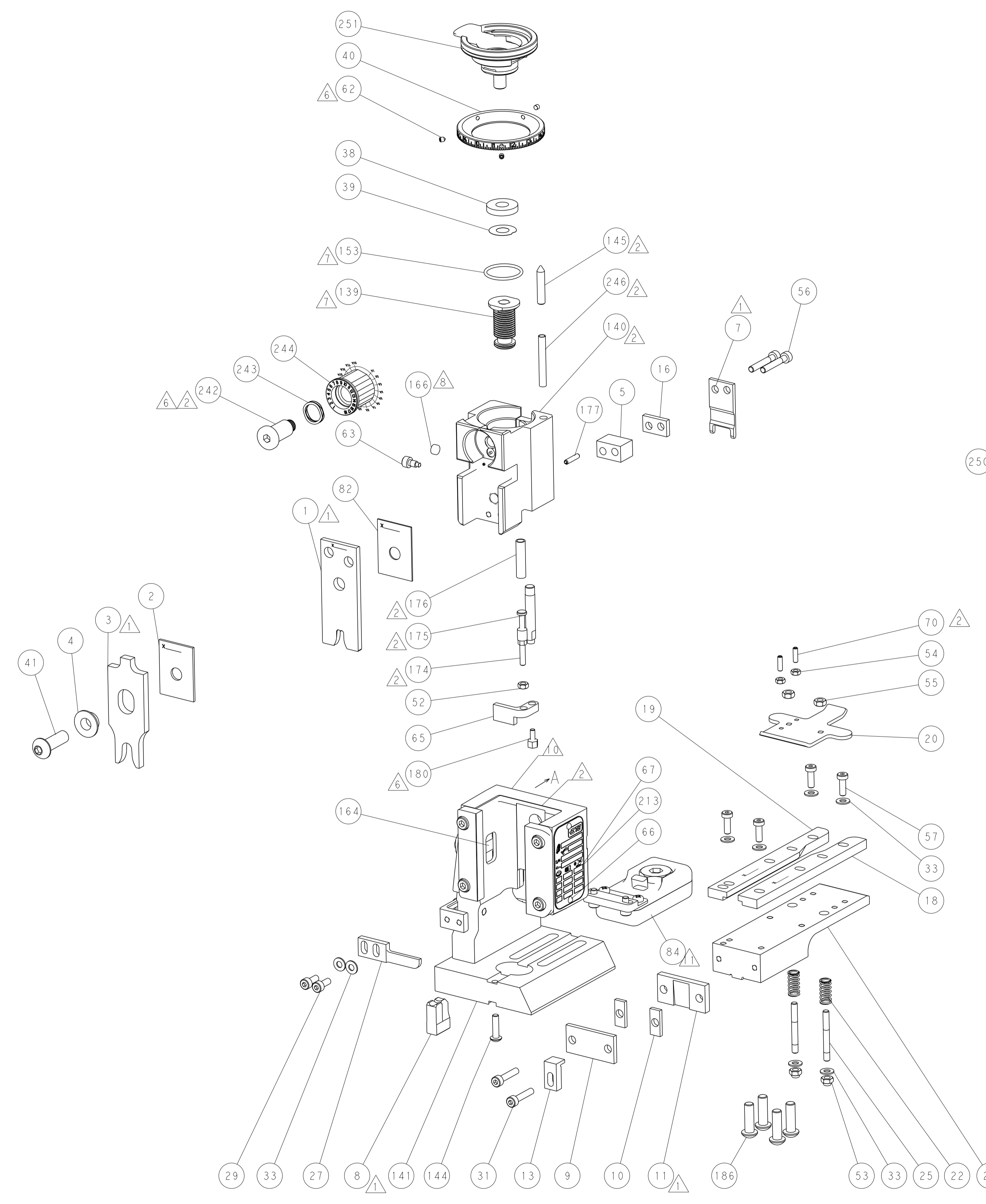
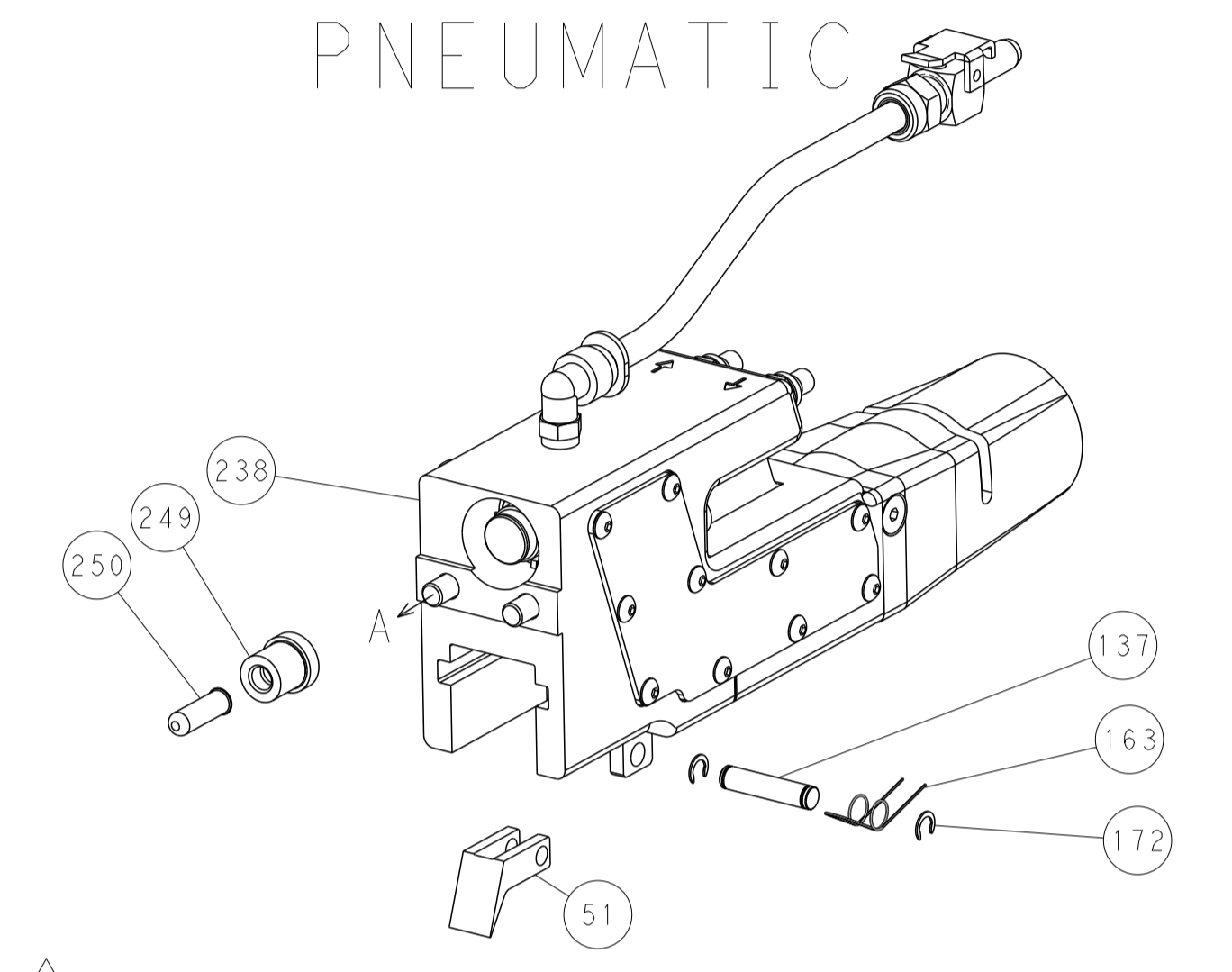
-	-	-	1	2079988-1	BUSHING, LCH5-12, MISUMI	249
-	1	1	1	1-22279-3	SPRING, COMPRESSION	246
-	1	1	1	2119082-5	CAM, SNAIL, INSULATION ADJUSTMENT	244
-	1	1	1	2079764-1	WASHER, WAVE SPRING, CREST-TO-CREST	243
-	1	1	1	2119083-1	RETAINER, INSULATION DIAL	242
-	-	2	-	2168400-7	SHCS, LOW HEAD, RoHS, M5 X 10	240
-	-	-	1	2063440-2	AIR FEED MODULE	238
-	-	1	-	2119740-2	TAG, IDENTIFICATION	213
-	4	4	4	2079383-9	SCR, BHSC, RoHS (M6 X 20)	186
-	-	REF	-	1901697-1	FEED FINGER ASSEMBLY, EF	183
-	1	1	1	1752354-2	STANDOFF, HOLD-DOWN	180
-	1	1	1	6-993111-6	PIN, SLOTTED SPRING 3.0 X 14.0	177
-	1	1	1	8-22280-7	SPRING, COMPRESSION	176
-	1	1	1	1752353-2	GUIDE PIN, HOLDDOWN	175
-	1	1	1	1901680-2	GUIDE PIN, HOLDDOWN	174
-	-	-	2	21045-3	RING, RETAIN, EXTERN, 3/16 CRESCENT	172
-	1	1	1	994969-1	MAGNET, RARE EARTH HIGH ENERGY	166
-	REF	REF	REF	994970-2	COUNTER, MAGNETIC	164
-	-	-	1	240638-1	SPRING, FEED FINGER	163
-	1	1	1	8-21084-1	O-RING, .801 ID, .070 DIA. MAT.	153
-	-	-	1	2119641-2	FEED CAM, AIR FEED	152
-	1	1	1	2119798-2	DETENT PIN	145
-	1	1	1	2079383-8	SCR, BHSC, RoHS (M4 X 16)	144
-	1	1	1	2119655-6	APPLICATOR BASIC ASSEMBLY, EF	141
-	1	1	1	2119651-1	RAM, ASIAN STYLE, END FEED	140
-	1	1	1	2119092-2	BOLT, ADJUSTMENT	139
-	-	-	1	3-23627-7	PIN, RETAIN, GRVD, 3/16 X .854	137
-	-	REF	-	SEE NOTE 4	MEMORY CHIP, PROGRAMMED	135
-	-	1	-	1633743-1	SERVO FEED LATCH ASM	133
-	1	1	1	2119955-2	ASSY, LUBRICATOR, END FEED	84
-	1	1	1	455888-7	SPACER, CRIMPER	82
-	1	1	1	2119956-2	DOCUMENTATION PACKAGE	71
-	2	2	2	2-18032-2	SCR, SET, FLT POINT M3 X 10.0	70
-	1	-	1	2119740-1	TAG, IDENTIFICATION	67
-	2	2	2	2168078-1	SCREW, DRIVE, RH, RoHS, 2 x .188	66
-	1	1	1	1901681-1	HOLDDOWN, TERMINAL	65
-	1	1	1	2119793-1	LIMITER, ADJUSTMENT BOLT	63
-	3	3	3	992763-5	SCR, SET, SOC, CONE POINT, M3 X 4.0	62
-	4	4	4	2168400-1	SHCS, LOW HEAD, RoHS, M4 X 12	57
-	2	2	2	1-2168083-2	SCR, SKT HD CAP, RoHS, M4 X 25	56
-	2	2	2	5018030-2	NUT, HEX, REG, RoHS, M4	55
-	2	2	2	5018030-1	NUT, HEX, REG, RoHS, M3	54
-	2	2	2	986965-8	NUT, LOCK, HEX, TORQUE (M4)	53
-	1	1	1	1-5018030-0	NUT, HEX, REG, RoHS, M3.5	52
-	-	-	1	2119792-3	PAWL, EF, AIR	51
-	-	-	1	18023-9	SCR, SKT HD CAP M4 X 6.0	49
-	1	1	1	2079383-7	SCR, BHSC, RoHS (M8 X 25)	41
-	1	1	1	2119645-1	DISC, NUMBERED FA WIRE ADJUSTMENT	40
-	1	1	1	2119957-1	APPLICATOR SHIM PACK	39
-	1	1	1	2119644-5	RAM WASHER, PRECISION	38
-	8	8	8	1-18028-2	WASHER, FLAT, REG M4	33
-	2	2	2	2168083-9	SCR, SKT HD CAP, RoHS, M4 X 20	31
-	2	2	2	1-2168083-0	SCR, SKT HD CAP, RoHS, M4 X 10	29
-	1	1	1	240639-1	STRIPPER (MACHINING)	27
-	2	2	2	1320906-1	STUD, THREADED	25
-	1	1	1	1752371-5	PLATE, STRIP GUIDE	24
-	2	2	2	2-22281-3	SPRING, COMPRESSION	22
-	1	1	1	1752373-4	DRAG	20
-	1	1	1	4-1901696-1	STRIP GUIDE, REAR	19
-	1	1	1	4-1901695-1	STRIP GUIDE, FRONT	18
-	1	1	1	3-240641-0	SPACER	16
-	1	1	1	1752360-1	SPACER, HOLD-DOWN	13
-	1	1	1	240644-1	PLATE, REAR SHEAR	11
-	2	2	2	1-240645-1	SPACER, SHEAR PLATE	10
-	1	1	1	240642-1	PLATE, FRONT SHEAR	9
-	1	1	1	1-1803059-9	ANVIL, COMBINATION, END FEED	8
-	1	1	1	8-240651-2	BLADE, SLUG	7
-	-	-	-	-	-	6
-	1	1	1	7-240641-3	SPACER	5
-	1	1	1	238009-5	BLOCK, FL CRIMPER SPACER	4
-	1	1	1	8-1633965-4	CRIMPER, INSULATION O PREMIUM	3
-	1	1	1	1-455888-4	SPACER, CRIMPER	2
-	1	1	1	1-456430-6	CRIMPER, WIRE	1

DIMENSIONS:		TOLERANCES UNLESS OTHERWISE SPECIFIED:		DATE	BY	CHK	APPD	NAME	SIZE	CAGE CODE	DRAWING NO	RESTRICTED TO
mm	0 PLC ±.5	1 PLC ±.13	2 PLC ±.013	12JAN2015	J. HOU	L. ZHANG	U. GUO	TE Connectivity	A1	00779	2150524	-
	3 PLC ±.0013	4 PLC ±.0001	ANGLES ±.0001	12JAN2015				Harrisburg, PA 17105-3608				
MATERIAL:	FINISH:	WEIGHT:	SCALE:	Customer Accessible Production Drawing		SHEET 3 OF 4		REV B				

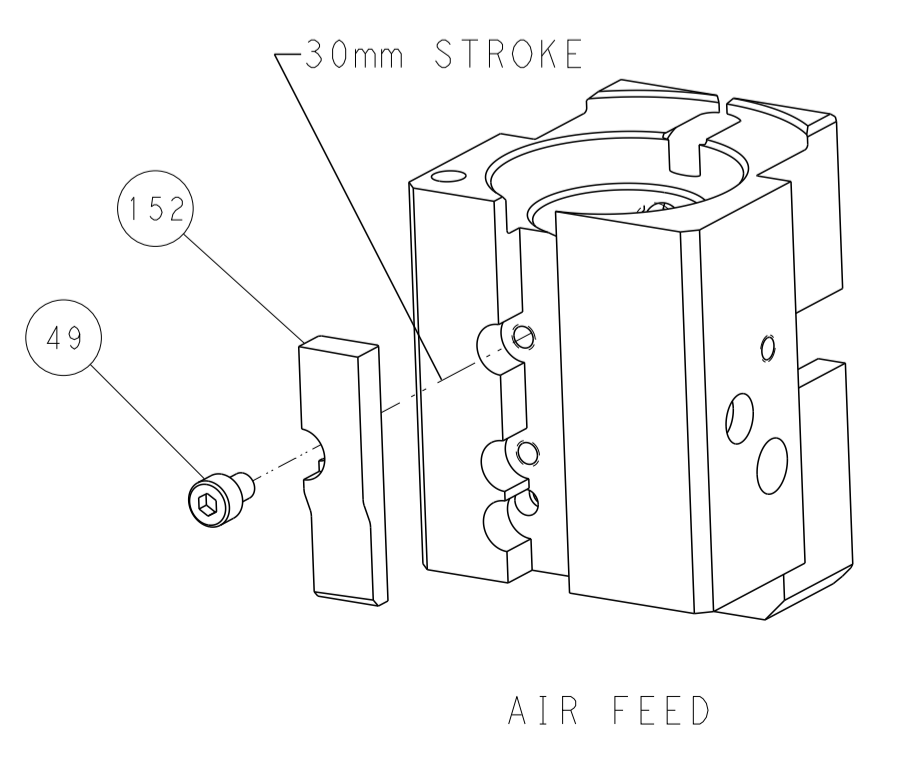
LOC		DIST		REVISIONS			
A	66	P	LTM	DESCRIPTION	DATE	OWN	APVD
-	-	-	-	SEE SHEET 1	-	-	-



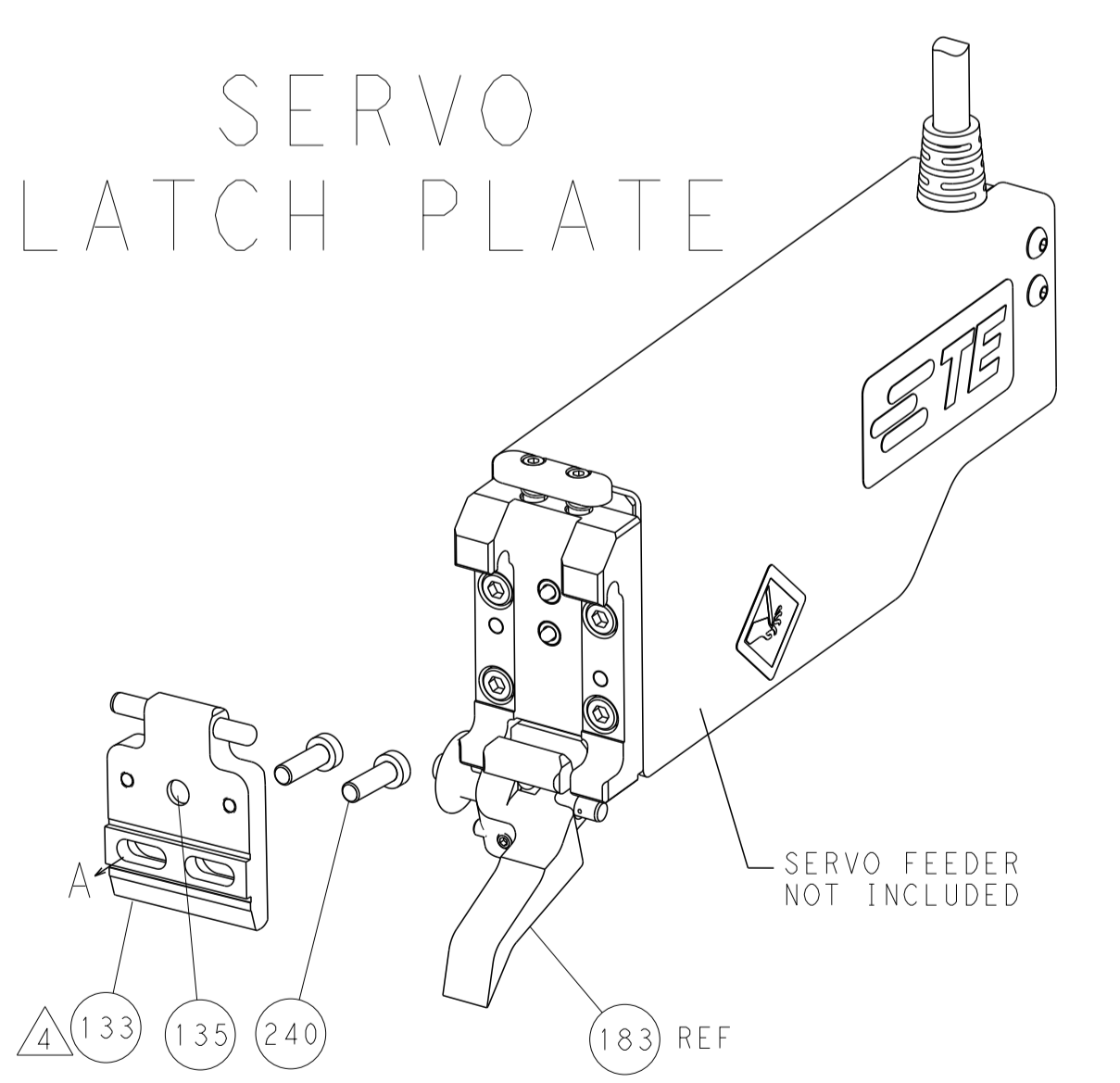
FEED TYPE  
PNEUMATIC



CAM POSITION



SERVO  
LATCH PLATE



PACIFIC VERSION  
 Shown on sheets 3 of 4 & 4 of 4  
 (Atlantic version shown on sheets 1 of 4 & 2 of 4)

DIMENSIONS:		TOLERANCES UNLESS OTHERWISE SPECIFIED:		DWN J. HOU 12JAN2015		STE TE Connectivity Harrisburg, PA 17105-3608	
mm	0 PLC ±0.5	1 PLC ±0.5	2 PLC ±0.13	3 PLC ±0.013	4 PLC ±0.001	APVD L. ZHANG 12JAN2015	NAME Ocean End Feed Applicator
MATERIAL	FINISH	WEIGHT	SCALE 1:1	SHEET 4	OF 4	REV B	RESTRICTED TO