

Type 3 surge protection device - MT-2PE/S- 24AC - 2748072

Please be informed that the data shown in this PDF Document is generated from our Online Catalog. Please find the complete data in the user's documentation. Our General Terms of Use for Downloads are valid (<http://download.phoenixcontact.com>)




Rail-mountable module with surge voltage equipment protection for power supply units, optical power and fault display, mounting on NS 35/7.5. Nominal voltage: 24 V AC/DC, housing width: 50 mm

The illustration shows version MT 2-PE/S-230 AC



Key commercial data

Packing unit	1 PCE
GTIN	 4 017918 062323
Weight per Piece (excluding packing)	124.81 GRM
Custom tariff number	85363010
Country of origin	Germany

Technical data

Dimensions

Height	77.5 mm
Width	50 mm
Depth	63 mm

Ambient conditions

Degree of protection	IP20
Ambient temperature (operation)	-25 °C ... 75 °C

General

Housing material	PA-F
Inflammability class according to UL 94	V0
Design	Rail-mountable module, one-piece
Mounting type	DIN rail: 35 mm

Type 3 surge protection device - MT-2PE/S- 24AC - 2748072

Technical data

General

Number of positions	2
Direction of action	1L-N & N-PE

Protective circuit

Nominal voltage U_N	24 V AC
Arrester rated voltage U_C (L-PE)	34 V AC
Nominal frequency f_N	50 Hz
	60 Hz
Nominal current I_N	16 A (40°C)
Operating effective current I_C at U_C	≤ 7 mA
Residual current I_{PE}	≤ 1 μ A
Nominal discharge current I_n (8/20) μ s (L-N)	1 kA
Nominal discharge current I_n (8/20) μ s (L-PE)	1 kA
Max. discharge current I_{max} (8/20) μ s maximum (L-N)	2 kA
Max. discharge current I_{max} (8/20) μ s maximum (L-PE)	2 kA
Voltage protection level U_p (L-N)	≤ 0.22 kV
Voltage protection level U_p (L-PE)	≤ 0.2 kV
Response time t_A (L-N)	≤ 25 ns
Response time t_A (L-PE)	≤ 100 ns
Max. required back-up fuse	16 A (gL)
Surge protection fault message	Optical, remote indicator contact

Non-heating apparatus connection, power supply

Connection method	Screw connection
Connection type IN	Screw terminal blocks
Connection type OUT	Screw terminal blocks
Screw thread	M3
Tightening torque	0.5 Nm
Stripping length	8 mm
Conductor cross section stranded min.	0.2 mm ²
Conductor cross section stranded max.	2.5 mm ²
Conductor cross section solid min.	0.2 mm ²
Conductor cross section solid max.	4 mm ²
Conductor cross section AWG/kcmil min.	24
Conductor cross section AWG/kcmil max	12

Remote indicator contact

Connection name	Remote fault indicator contact
-----------------	--------------------------------

Type 3 surge protection device - MT-2PE/S- 24AC - 2748072

Technical data

Remote indicator contact

Switching function	N/C contact
Maximum operating voltage U_{max} AC	250 V AC
Max. operating current I_{max}	1 A

Classifications

eCl@ss

eCl@ss 4.0	27140201
eCl@ss 4.1	27130801
eCl@ss 5.0	27130801
eCl@ss 5.1	27130801
eCl@ss 6.0	27130806
eCl@ss 7.0	27130806

ETIM

ETIM 2.0	EC000942
ETIM 3.0	EC000942
ETIM 4.0	EC000942
ETIM 5.0	EC000942

UNSPSC

UNSPSC 6.01	30212010
UNSPSC 7.0901	39121610
UNSPSC 11	39121610
UNSPSC 12.01	39121610
UNSPSC 13.2	39121620

Approvals

Approvals

Approvals

GOST / GOST

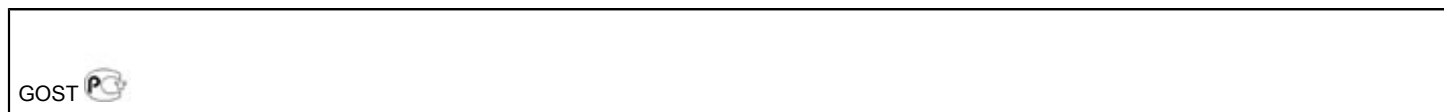
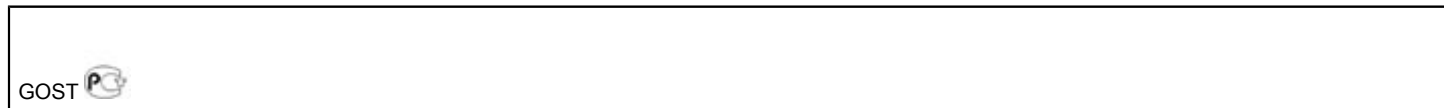
Ex Approvals

Type 3 surge protection device - MT-2PE/S- 24AC - 2748072

Approvals

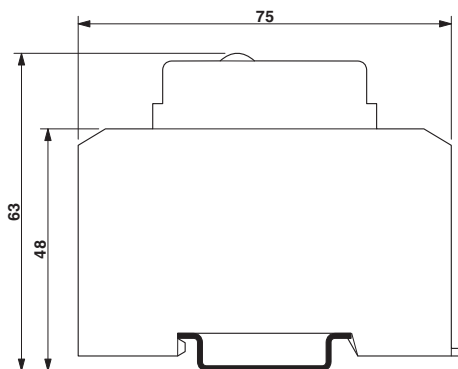
Approvals submitted

Approval details



Drawings

Dimensioned drawing



Type 3 surge protection device - MT-2PE/S- 24AC - 2748072

Circuit diagram

