

Model No: TC6FD02-04

Product Line: Tymphany

Rev: 1

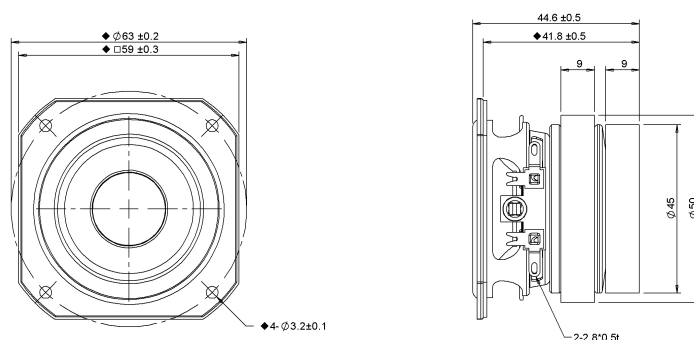
Last Update: 2017-04-21 12:39:42

## Product Description

This TC family full-range driver, with 2 Inch 4Ohm paper cone and rubber surround, is designed to be a cost-effective high performance full range driver. The cone utilizes Tymphany-patented PentaCut NRSC cone technology to help dampen and control cone resonances, optimizing the listening experience. The motor contains a copper cap to lower inductance and distortion. The product was designed with television and other compact applications in mind.



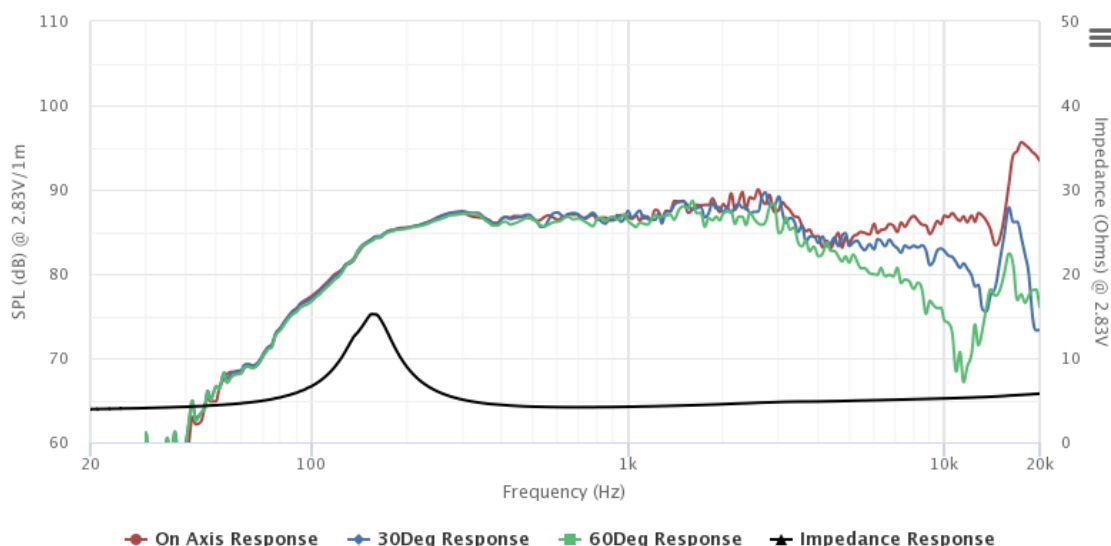
## Mechanical Drawing



## Specifications

DC Resistance	Revc	Ohms	3.27	5.0%	Energy Bandwidth Product	EBP	(1/Qes)*fs
Minimum Impedance	Zmin	Ohms	4.17	7.5%	Moving Mass	Mms	g
Voice Coil Inductance	Le	mH	0.02		Suspension Compliance	Cms	um/N
Resonant Frequency	Fs	Hz	171.16	15%	Effective Cone diameter	D	cm
Mechanical Q Factor	Qms		3.15		Effective Piston Area	Sd	cm <sup>2</sup>
Electrical Q Factor	Qes	0.97			Effective Volume	Vas	L
Total Q Factor	Qts	0.74			Motor Force Factor	BL	Tm
Ratio Fs/Qts	F	Fs/Qts	230.68		Motor Efficiency Factor	$\beta$	(T*M <sup>2</sup> )/Ohms
Half Space Sensitivity @2.83V	db@2.83V/1M	dB	86.84	+/- 1.0db	Voice coil former Material	VCfm	ASV
Half Space Sensitivity @1W/1M	db@1W/1M	dB	84	+/- 1.0db	Voice coil inner diameter	VCd	mm
Gap Height	Gh	mm	3		Rated Noise Power	P	W
Maximum Linear Excursion	Xmax	mm	0.6		Test Spectrum Bandwidth	100-10000	
Ferrofluid Type	FF				Driver Size	Inch	2 in
Driver Mass	Kg	0.26					

## Frequency and Impedance Response



Highcharts.com