

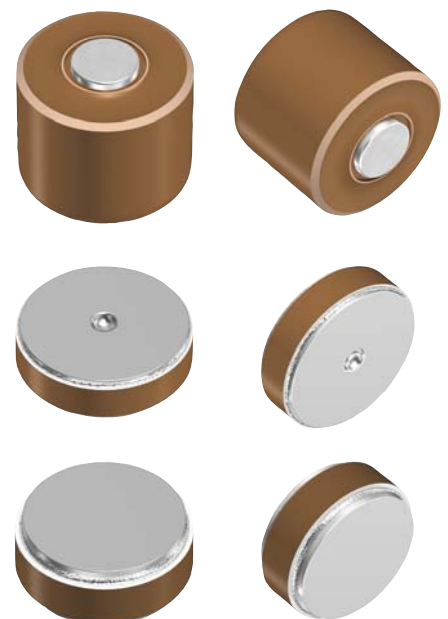
# Ultra high voltage ceramic capacitors

With metal terminals

For GCB/GIS

## TSF/H/GA series

---




**REMINDERS FOR USING THESE PRODUCTS**
**(1) During transportation and storage**

Do not transport or store where the products will be exposed to high temperature or high humidity.

Do not expose to poisonous gases such as H<sub>2</sub>SO<sub>4</sub>, HCl, or HNO<sub>3</sub>.

Avoid excessive impact such as that caused by falling.

**(2) During operation**

Avoid contact with electrolytes such as perspiration. Do not touch with bare hands.

Avoid excessive impact such as that caused by falling.

Do not apply solder to stud terminals.

Do not re-machine the terminals.

**(3) Usage**

Make sure that the products are not exposed to radiant heat from chambers or transformers.

**(4) Others**

The products listed on this catalog are not designed or warranted to meet the requirements of the applications listed below, whose performance and/or quality require a more stringent level of safety or reliability, or whose failure, malfunction or trouble could cause serious damage to society, person or property.

If you intend to use the products in the applications listed below or if you have special requirements exceeding the range or conditions set forth in the each catalog, please contact us.

(1) Aerospace/aviation equipment

(2) Transportation equipment (cars, electric trains, ships, etc.)

(3) Medical equipment

(4) Power-generation control equipment

(5) Atomic energy-related equipment

(6) Seabed equipment

(7) Transportation control equipment

(8) Public information-processing equipment

(9) Military equipment

(10) Electric heating apparatus, burning equipment

(11) Disaster prevention/crime prevention equipment

(12) Safety equipment

(13) Other applications that are not considered general-purpose applications

When designing your equipment even for general-purpose applications, you are kindly requested to take into consideration securing protection circuit/device or providing backup circuits in your equipment.

# Ultra high voltage ceramic capacitors

Product compatible with RoHS directive

With metal terminals

For GCB/GIS

## Overview of TSF/H/GA series

### FEATURES

- TSF series with molded metal terminals (rated voltage Eac: 20 kV), H series with non-insulated metal terminals (rated voltage Eac: 8 kV), and GA series with non-insulated metal terminals (rated voltage Eac: 10 kV) available
- Strong impulse voltage
- High capacitance and excellent temperature characteristics
- Low-loss and low distortion factor
- Excellent voltage-capacitance characteristics


### APPLICATION

Circuit breakers for gas insulation switchgears (supporting SF6 gas)

### OPERATING TEMPERATURE RANGE, PRODUCT WEIGHT

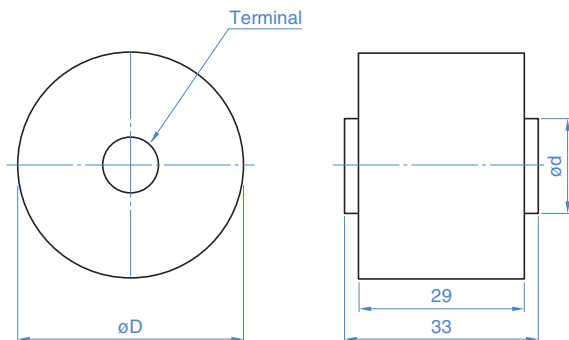
Part No.	Sub part No.	Temperature range		Individual weight (g)
		Operating temperature (°C)	Storage temperature (°C)	
<b>TSF-40C</b>	60734ZT112J4DA	-30 to +85	-30 to +85	149
<b>TSF-30</b>	60722ZT401K4DAA	-30 to +85	-30 to +85	80
<b>H-11</b>	60739ZT292K4AA	-20 to +70	-20 to +70	79
<b>GA-14</b>	60739ZT172K4AA	-20 to +70	-20 to +70	124

RoHS Directive Compliant Product: See the following for more details.<https://product.tdk.com/info/en/environment/rohs/index.html>

 Please be sure to request delivery specifications that provide further details on the features and specifications of the products for proper and safe use. Please note that the contents may change without any prior notice due to reasons such as upgrading.

# TSF series

## SHAPE & DIMENSIONS



Molded with epoxide resin; alumina filler.

## MARKINGS

TSF-40C	Part No.
112J	Nominal capacitance and tolerance code
AC20kV	Rated voltage
TDK	Manufacturer's name (TDK or TDK logo mark)
1234	Lot No.

Part No.	Sub part No.	$\phi D$ (mm)	$\phi d$ (mm)
TSF-40C	60734ZT112J4DA	40	15
TSF-30	60722ZT401K4DAA	30	10

## ELECTRICAL CHARACTERISTICS

### CHARACTERISTICS SPECIFICATION TABLES

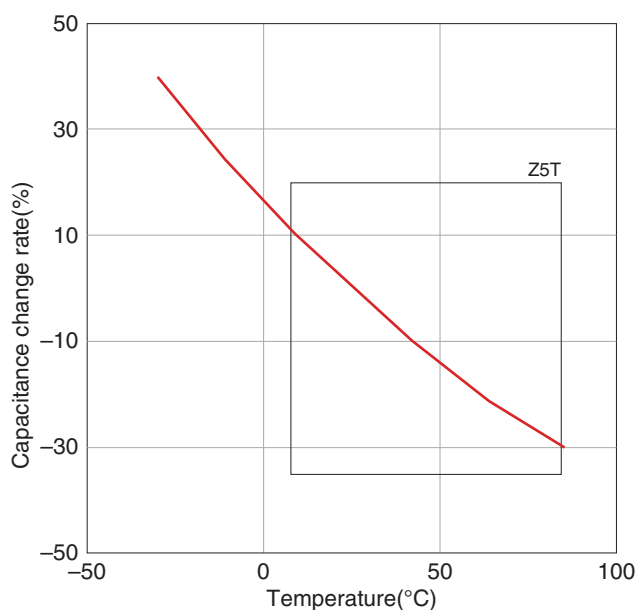
Class 2 (Temperature stable)

Temperature characteristics: Z5T(+10 to +85°C, +22/-33%)

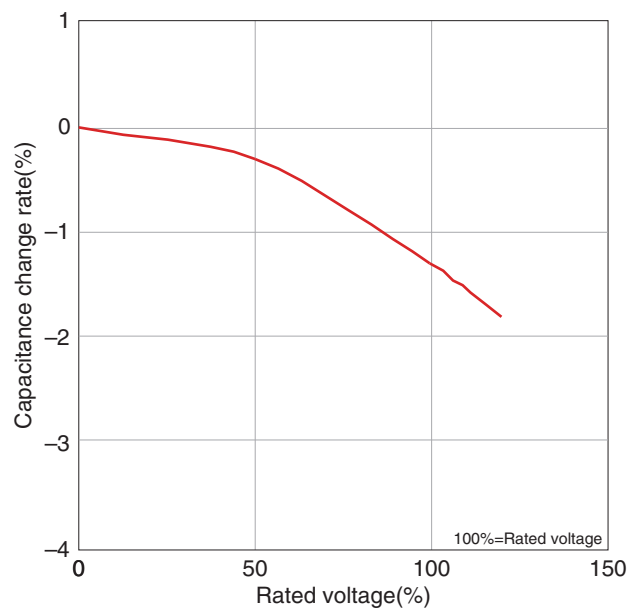
Part No.	Sub part No.	Rated voltage	Capacitance	Withstanding voltage	Dissipation factor ( $\tan\delta$ )	Insulation resistance	AC corona starting voltage [3PC*] (kV) min.
		(kV)	(pF)	(kV)	(%) max.	(M $\Omega$ ) min.	
TSF-40C	60734ZT112J4DA	20	1080 $\pm$ 10%	42	0.2	100000	25
TSF-30	60722ZT401K4DAA	20	400 $\pm$ 10%	42	0.2	100000	25

\* PC : Pico coulomb.

### CAPACITANCE VS. TEMPERATURE CHARACTERISTICS



### CAPACITANCE VS. AC VOLTAGE CHARACTERISTICS

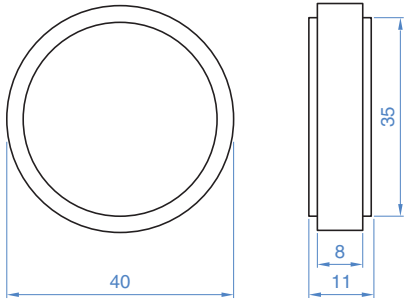


Please be sure to request delivery specifications that provide further details on the features and specifications of the products for proper and safe use.  
Please note that the contents may change without any prior notice due to reasons such as upgrading.

# H series

## SHAPE & DIMENSIONS

### Non-insulated type



Dimensions in mm

## ELECTRICAL CHARACTERISTICS

### CHARACTERISTICS SPECIFICATION TABLES

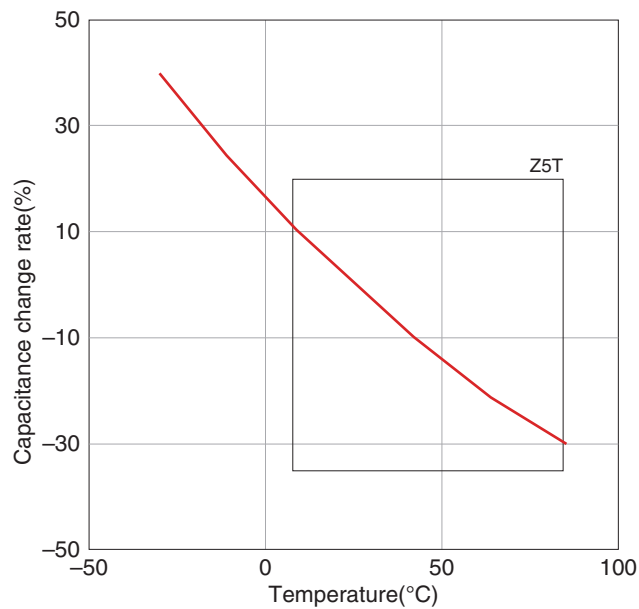
Class 2 (Temperature stable)

Temperature characteristics: Z5T(+10 to +85°C, +22/-33%)

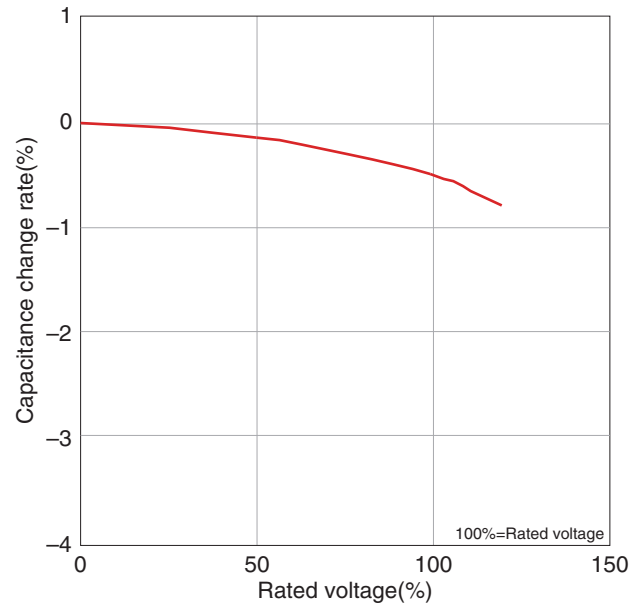
Part No.	Sub part No.	Rated voltage (kV)	Capacitance (pF)	Withstanding voltage (kV)	Dissipation factor (tanδ) (%) max.	Insulation resistance (MΩ) min.	AC corona starting voltage [3PC* ] (kV) min.
H-11	60739ZT292K4AA	8	2900±10%	16	0.2	100000	8

\* PC : Pico coulomb.

### CAPACITANCE VS. TEMPERATURE CHARACTERISTICS



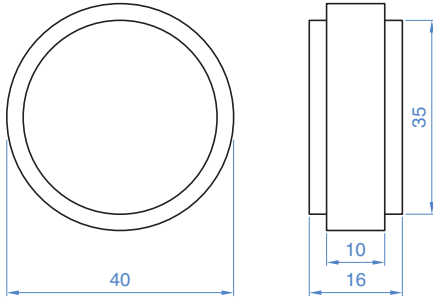
### CAPACITANCE VS. AC VOLTAGE CHARACTERISTICS



# GA series

## SHAPE & DIMENSIONS

### Non-insulated type



Dimensions in mm

## ELECTRICAL CHARACTERISTICS

### CHARACTERISTICS SPECIFICATION TABLES

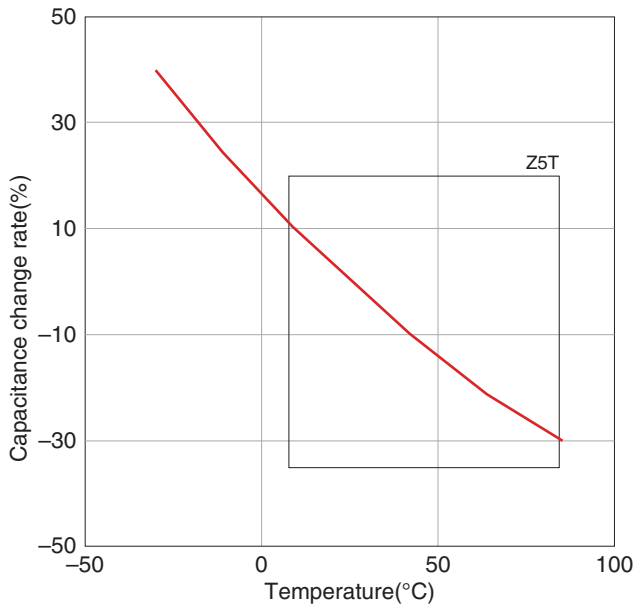
Class 2 (Temperature stable)

Temperature characteristics: Z5T(+10 to +85°C, +22/-33%)

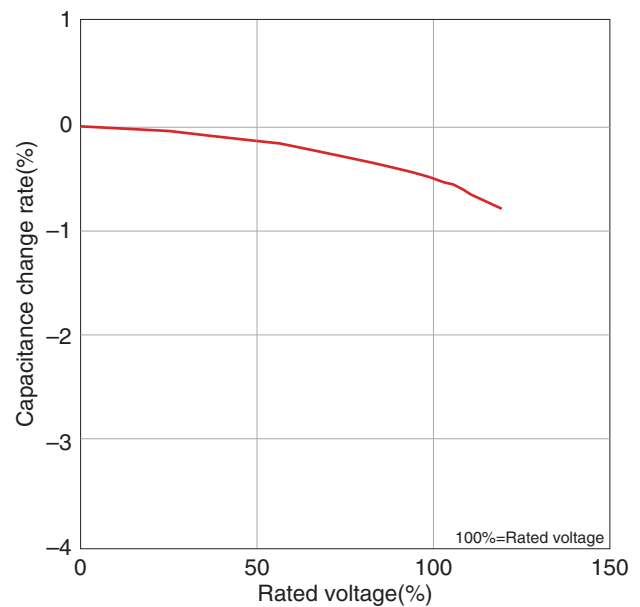
Part No.	Sub part No.	Rated voltage (kV)	Capacitance (pF)	Withstanding voltage (kV)	Dissipation factor (tanδ) (%) max.	Insulation resistance (MΩ) min.	AC corona starting voltage [3PC* ] (kV) min.
GA-14	60739ZT172K4AA	10	1700±10%	20	0.2	100000	10

\* PC : Pico coulomb.

### CAPACITANCE VS. TEMPERATURE CHARACTERISTICS



### CAPACITANCE VS. AC VOLTAGE CHARACTERISTICS



⚠ Please be sure to request delivery specifications that provide further details on the features and specifications of the products for proper and safe use.  
Please note that the contents may change without any prior notice due to reasons such as upgrading.