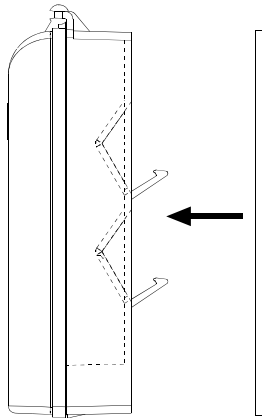


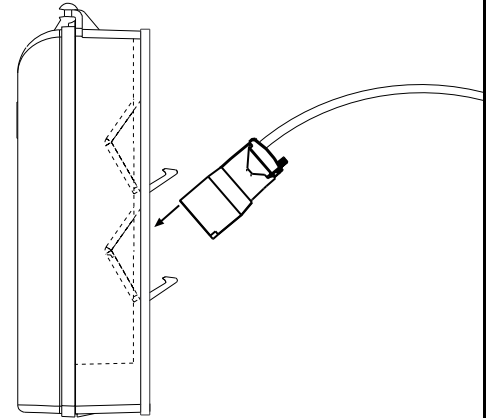
### Module Installation

1.



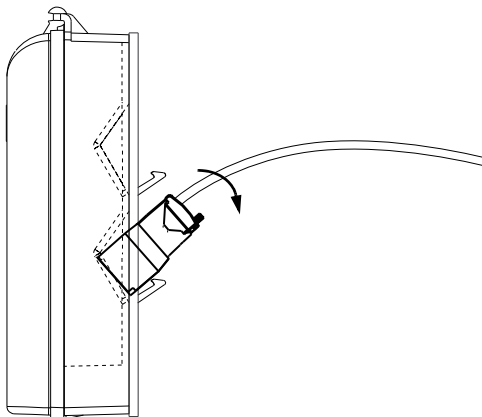
Place 1/8" back seal gasket on the back of the faceplate as shown above.

2.



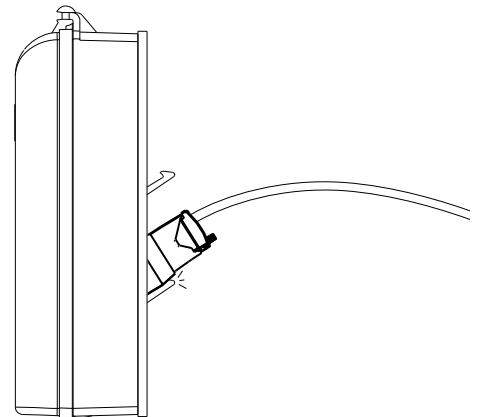
Align notch on module with tab on faceplate.

3.



Rotate module downward.

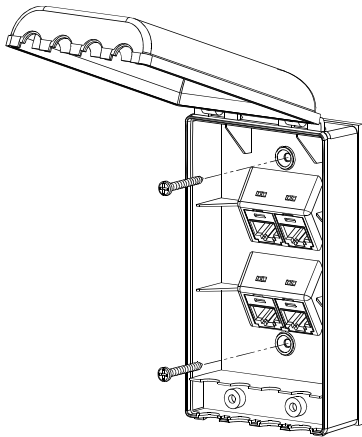
4.



Snap into place. Repeat for all openings.

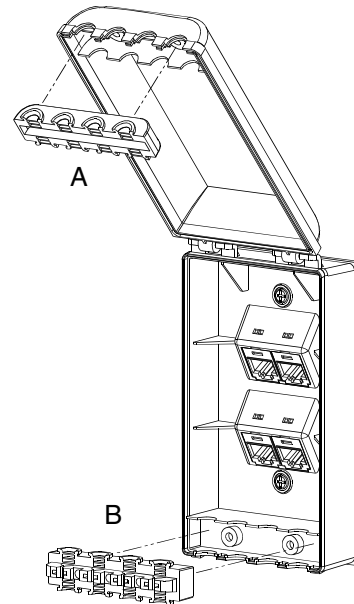
## Faceplate Installation

5.



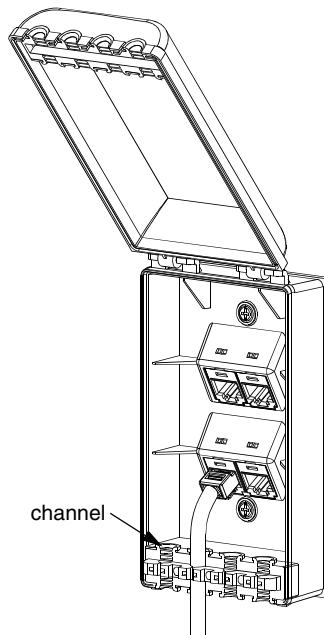
After modules have been installed, align #6-32 x 1" combination head screws with holes as shown above to mount faceplate. When inserting screws make sure back seal gasket is properly aligned behind the base.

6.



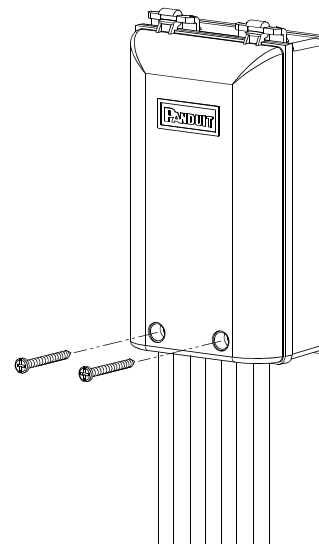
Press the cover gasket (A) into the cover and the base gasket (B) into the base as indicated above.

7.



Insert compatible plugs into modules. Align cables 1 per channel on the base gasket as shown above.

8.



After cables have been aligned, close cover and secure with #6-32 x 1.25" combination head screws or #6-32 x 1.25" hexagon button head screws at a max torque of 14 in-lbs. For hexagon button head screws use a 5/64" hex key tool.

For Instructions in Local Languages  
and Technical Support:

[www.panduit.com/resources/install\\_maintain.asp](http://www.panduit.com/resources/install_maintain.asp)

**PANDUIT**

[www.panduit.com](http://www.panduit.com)

E-mail:  
[cs@panduit.com](mailto:cs@panduit.com)

Fax:  
(708) 444-6993