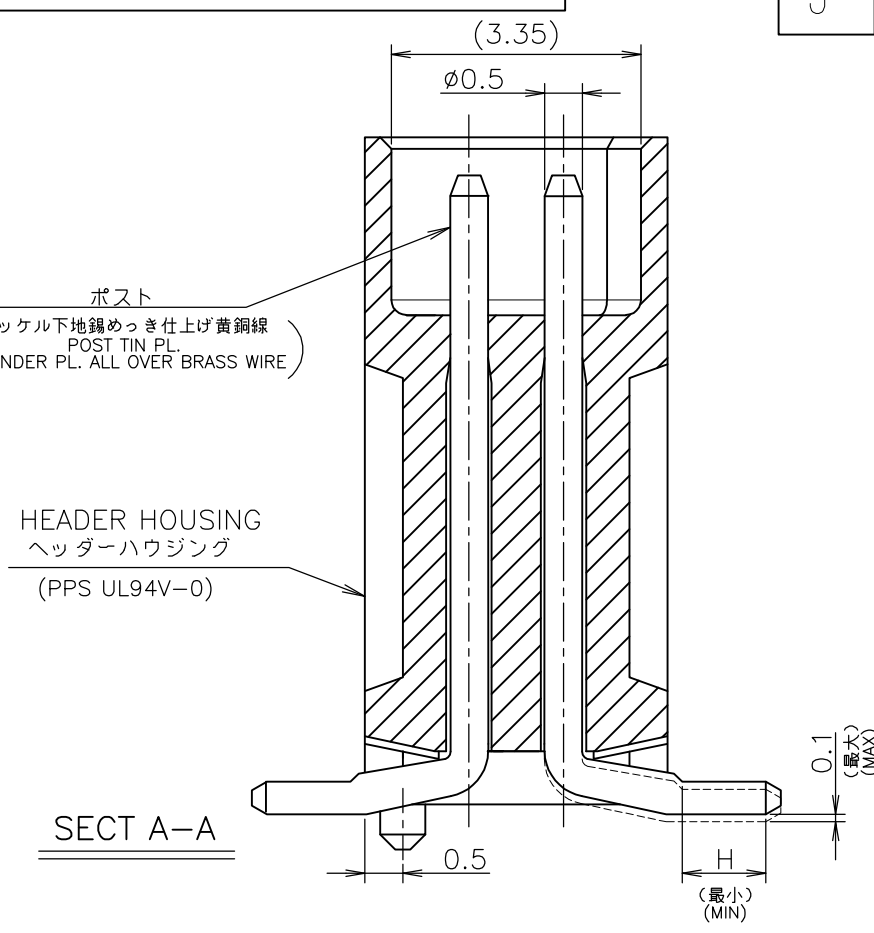
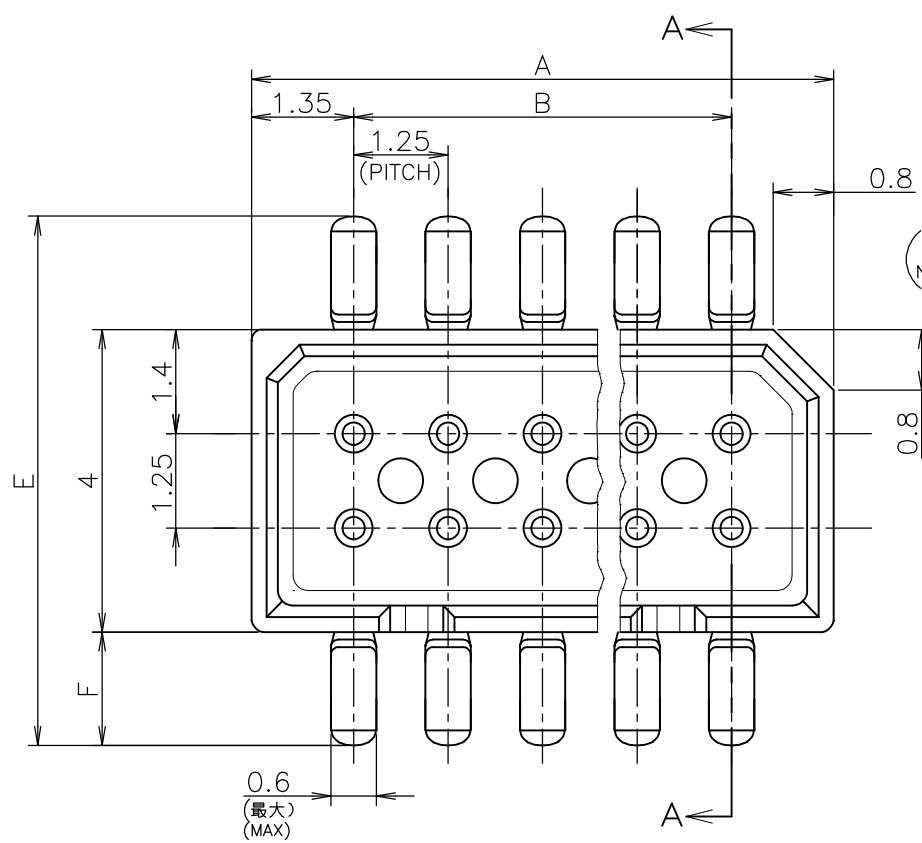


THIS DRAWING IS UNPUBLISHED. RELEASED FOR PUBLICATION
 © COPYRIGHT BY TYCO ELECTRONICS CORPORATION. ALL RIGHTS RESERVED.

LOC	DIST	REVISIONS					
		P	LTR	DESCRIPTION	DATE	DWN	APVD
J		E		REVISED FJBO-0267-03	09MAY03	T.T	H.M
		E1		REVISED PER ECO-10-000443	12JAN10	KK	AEG

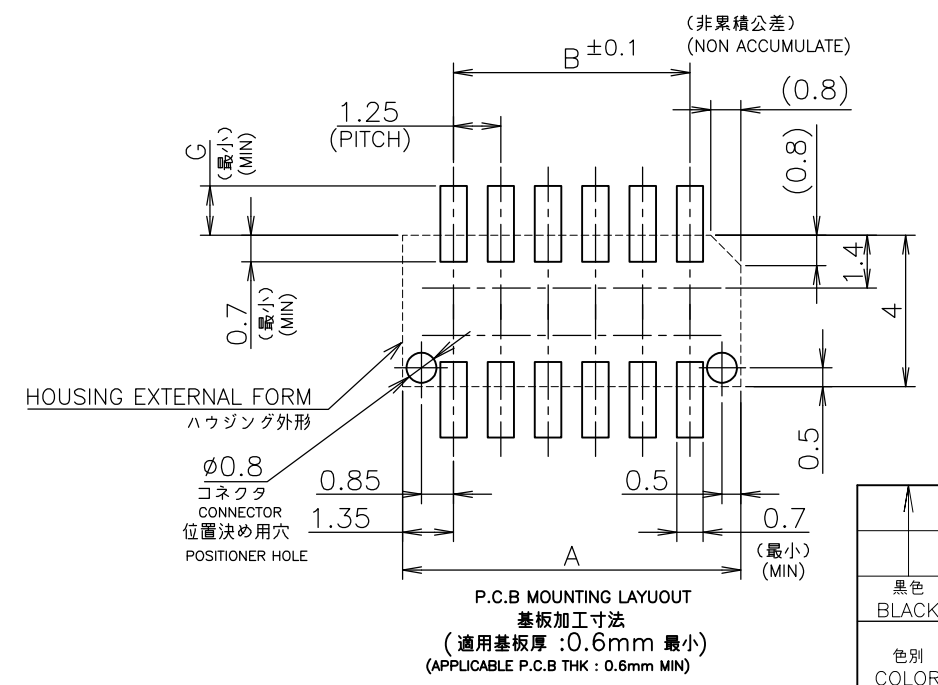
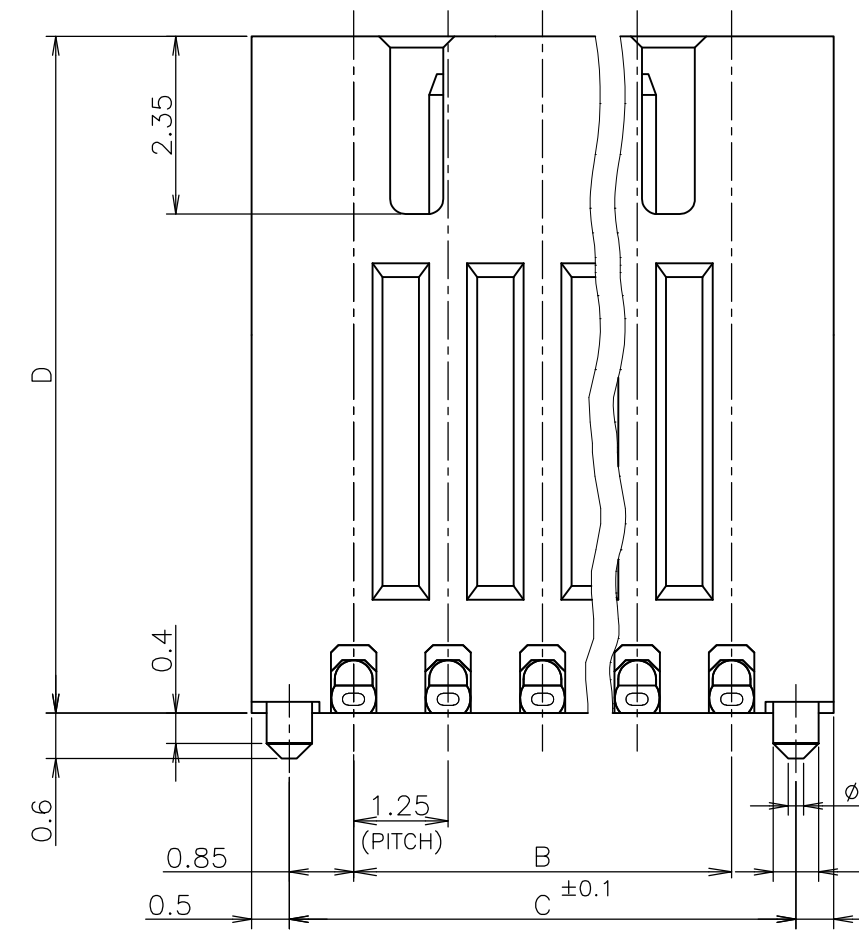
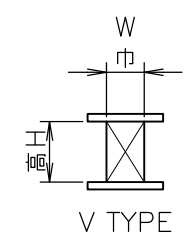


注記 NOTE
 1 嵌合相手製品型番及び、嵌合時寸法は表-1参照のこと。
 2 MATING COUNTER PART NUMBER AND DIMENSIONS AFTER MATING: SEE TABLE 1.
 OBSOLETE PARTS: OBSOLETE CIS STREAMLINING PER D.RENAUD/D.SINISI

嵌合時寸法: 巾(mm) x 高さ(mm)
 DIMENSIONS AFTER MATING: WIDTH(mm) x HEIGHT(mm)

嵌合相手側 MATING COUNTER コネクタ CONN RECE HDR ASSY	SMT TYPE-IMPROVED TYPE WITH BOSS X-176757-X		
	ハウジング高さ C寸法 HOUSING HEIGHT C DIMENSIONS		
DIP TYPE	V TYPE X-176870-X	5.6(巾W)x 8.0(高H)	7.0(巾W)x 10.5(高H)
	H TYPE X-176892-X	5.6(巾W)x 8.8(高H)	7.0(巾W)x 11.3(高H)
SMT TYPE	ポスト無 WITHOUT BOSS X-176768-X	5.6(巾W)x 8.0(高H)	7.0(巾W)x 10.5(高H)
	ポスト付 WITH BOSS X-176311-X	8.0(高H)	10.5(高H)
	H TYPE X-176893-X	5.6(巾W)x	7.0(巾W)x
	ポスト付 WITH BOSS X-176490-X	9.9(高H)	12.4(高H)

TABLE 1 SMT TYPEは、巾及び高さ寸法に
 表-1 SMT TYPE INCLUDE DIMENSIONS
 半田付タイプ寸法を含みます。
 OF SOLDER DIP TYPE.



鉛フリー
 LEAD FREE

	1.0	2.0	1.5	7.0	9.35	14.20	12.50	15.20	22	5-	-2
黒色 BLACK	0.4	1.3	0.8	5.6	6.85	15.45	13.75	16.45	24	2-176757-4	
色別 COLOR	H	G	F	E	D	C	B	A	極数 Pos.	型番 P/N	

THIS DRAWING IS A CONTROLLED DOCUMENT.

DWN S.KANEKI	16JAN90	tyco Electronics	Tyco Electronics AMP K.K. Kawasaki, Japan	
CHK J.TANIGAWA	17JAN90		NAME	
APVD S.KUBOUCHI	14SEP92	PRODUCT SPEC		1.25 F-P CONNECTOR (B-TO-B) DOUBLE ROW POST HDR ASSY SMT TYPE WITH BOSS
APPLICATION SPEC		108-5246	SIZE	CAGE CODE
MATERIAL		AS SHOWN 図中参照	DRAWING NO A3 00779 C-176757	
FINISH		AS SHOWN 図中参照	WEIGHT	RESTRICTED TO

CUSTOMER DRAWING SCALE 1:1 SHEET 1 OF 1 REV E1