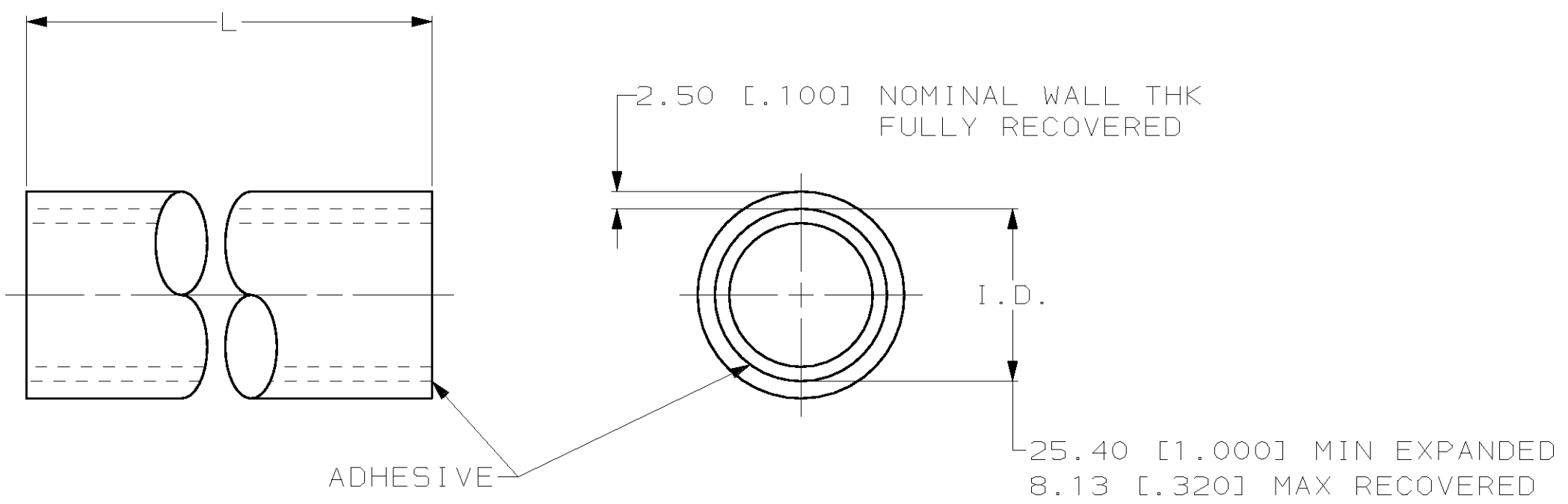


THIS DRAWING IS UNPUBLISHED. RELEASED FOR PUBLICATION ,19 .
 © COPYRIGHT 19 BY AMP INCORPORATED. ALL RIGHTS RESERVED.

LOC	DIST	REVISIONS			
P	LTR	DESCRIPTION	DATE	DWN	APVD
CM	53	H	REVISED PER EC 061Z-0004-99	14-JAN-02	KW DC



1. MATERIAL: TUBING- BLACK POLYOLEFIN, HEAT SHRINKABLE, TYPE DWP31, FLAME RETARDANT MEETS UL 224 ALL TUBING.
2. ADHESIVE APPLIED TO THE ENTIRE INSIDE DIAMETER. OF TUBING.

101.6±2.0	4.00±.08	1-603318-4
1219.2 ^{+25.4} ₀	48.00 ^{+1.00} ₀	603318-4
304.8±6.4	12.00±.25	603318-2
mm	IN	PART NUMBER
L		

METRIC

THIS DRAWING IS A CONTROLLED DOCUMENT.		DWN K. WHITAKER 14-JAN-2002	AMP AMP Incorporated Harrisburg, PA 17105-3608
DIMENSIONS: mm [INCHES]		CHK D. COLEY 14-JAN-2002	
TOLERANCES UNLESS OTHERWISE SPECIFIED:		APVD D. COLEY 14-JAN-2002	NAME AMPSULATION DWP31 HEAT SHRINK TUBING 1 IN EXPANDED I.D. - WITH ADHESIVE
0 PLC ±- 1 PLC ±- 2 PLC ±0.5[.02] 3 PLC ±0.13[.005] 4 PLC ±- ANGLES ±-		PRODUCT SPEC -	SIZE A3
MATERIAL BLACK POLYOLEFIN, (SEE NOTE 1)		FINISH -	CAGE CODE 00779
		WEIGHT PER LINEAR FOOT 29.80G [.0657 Lb]	DRAWING NO C- 603318
		CUSTOMER DRAWING	RESTRICTED TO -
		SCALE NTS	SHEET 1 OF 1
			REV H