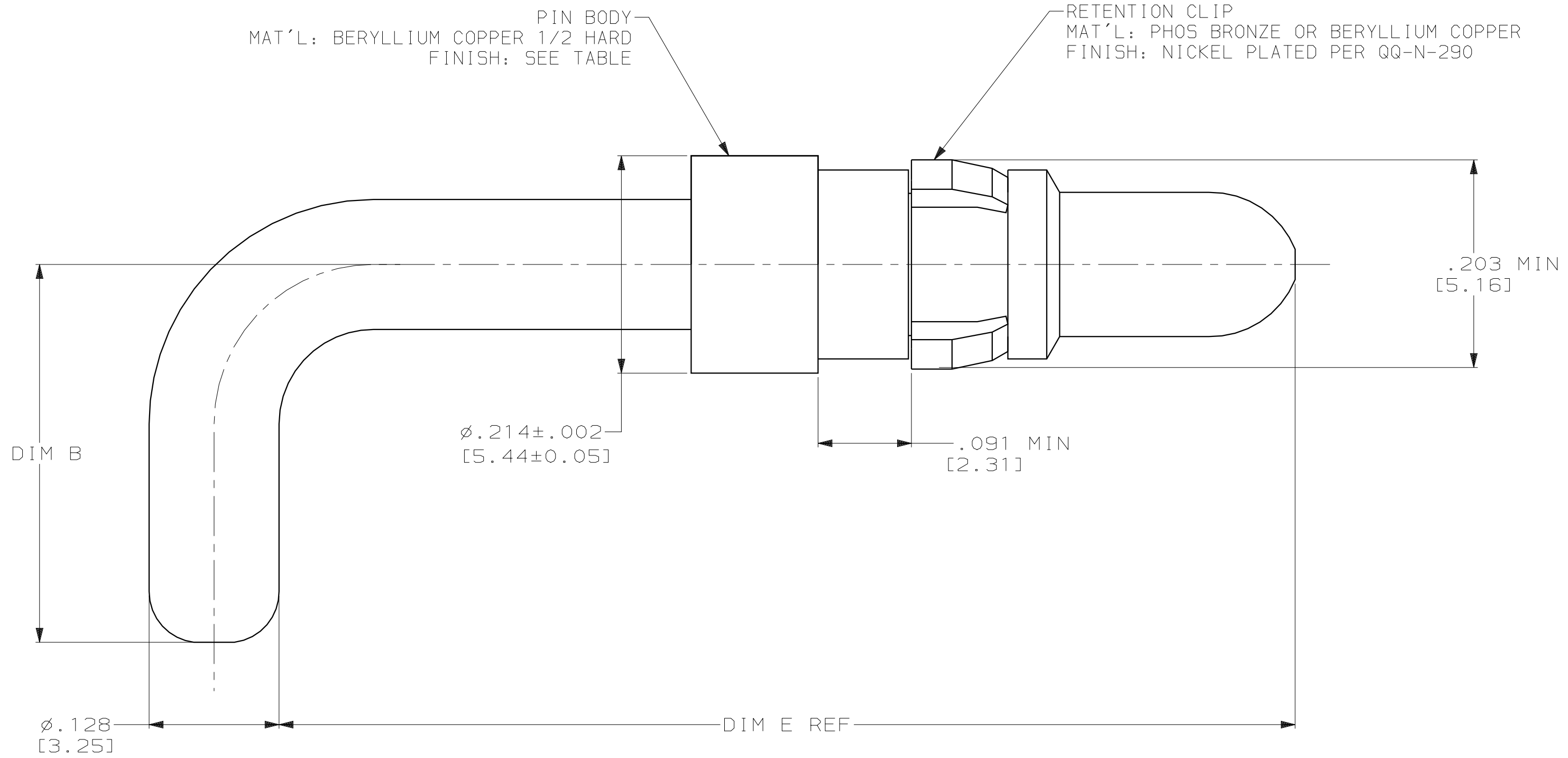


THIS DRAWING IS UNPUBLISHED. RELEASED FOR PUBLICATION ,19
 © COPYRIGHT 19 BY AMP INCORPORATED. ALL RIGHTS RESERVED.

| LOC | DIST | REVISIONS | | | | | |
|-----|------|-----------|-----|----------------------|------|-----|------|
| DF | DO | P | LTR | DESCRIPTION | DATE | DWN | APVD |
| | | C | | REV PER 0H14-0181-04 | 3-04 | CT | LO |



| | | | | |
|---|----------------|--------------|--------|-------------|
| PRELIMINARY NOT RELEASED FOR PRODUCTION | .662 [16.81] | .490 [12.45] | 2 | 213062-3 |
| | 1.001 [254.25] | .372 [9.45] | 2 | 213062-2 |
| | 1.001 [254.25] | .372 [9.45] | 1 | 213062-1 |
| | DIM E | DIM B | FINISH | PART NUMBER |

- 1 FINISH: PLATED GOLD .000050 [0.00127] MIN THK PER MIL-G-45204 OVER NICKEL .000050 [0.00127] MIN THK PER QQ-N-290.
- 2 FINISH: PLATED GOLD .000030 [0.00076] MIN THK PER MIL-G-45204 OVER NICKEL .000050 [0.00127] MIN THK PER QQ-N-290.

THIS DRAWING IS A CONTROLLED DOCUMENT.

| | | | |
|----------------------------|--|---|--|
| DIMENSIONS: INCHES [mm] | TOLERANCES UNLESS OTHERWISE SPECIFIED: 0 PLC ± 1 PLC ± 2 PLC ± 3 PLC ±.005 [0.13] 4 PLC ± ANGLES ± | DWN C.C. THOMAS 11/10/00 | AMP AMP Incorporated Harrisburg, PA 17105-3608 |
| MATERIAL SEE CALLOUTS | FINISH SEE TABLE | CHK D. MILLER 11/10/00 | |
| APVD D. MILLER 11/10/00 | | NAME ASSEMBLY, PIN CONTACT SIZE 8, P.C. BOARD MOUNT | |
| CUSTOMER DRAWING | | PRODUCT SPEC - | RESTRICTED TO - |
| SCALE 10:1 | | APPLICATION SPEC - | SIZE A2 |
| | | WEIGHT - | CAGE CODE 00779 |
| | | DATE 3-04 | DRAWING NO 213062 |
| | | SHEET 1 OF 1 | REV C |