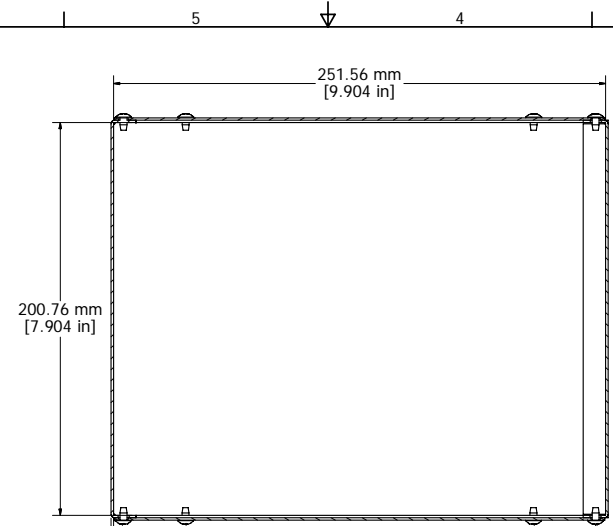
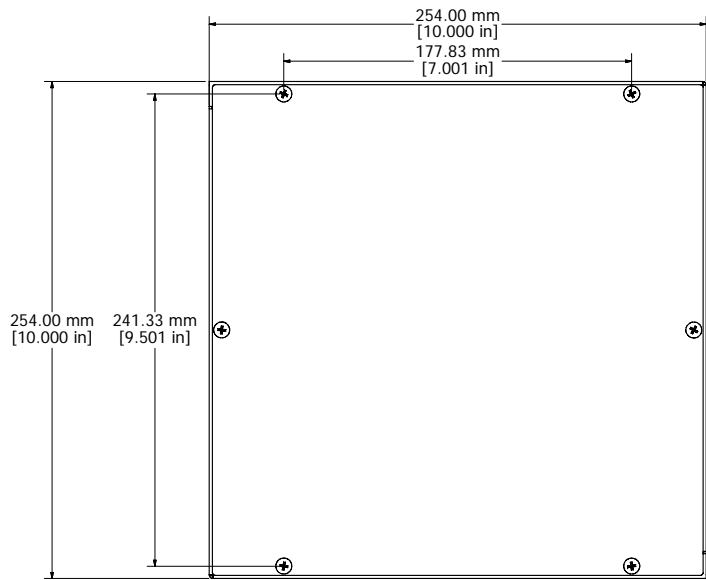


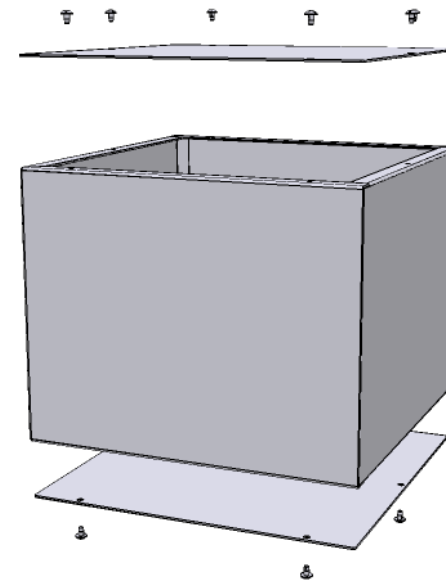
ASSEMBLY - VIEW FROM SIDE



SECTION AA-AA



ASSEMBLY - VIEW FROM TOP



- ASA 61 GREY POWDER PAINTED 0.048" 18 GAUGE STEEL BODY
- TWELVE 6-32 NICKEL PLATED SCREWS
- EXTRA SCREWS - 1421J6 (6-32 x 1/4 SHEET METAL SCREWS)

Contact Factory [mjm@hammondmfg.com](mailto:mjm@hammondmfg.com) for quotes  
 Enclosures can be Factory Modified ( Milling, Drilling, Printing etc. )  
 Solid models of this enclosure available in STEP or IGES.



**HAMMOND  
 MANUFACTURING™**

**1415H**

[www.hammondmfg.com](http://www.hammondmfg.com)