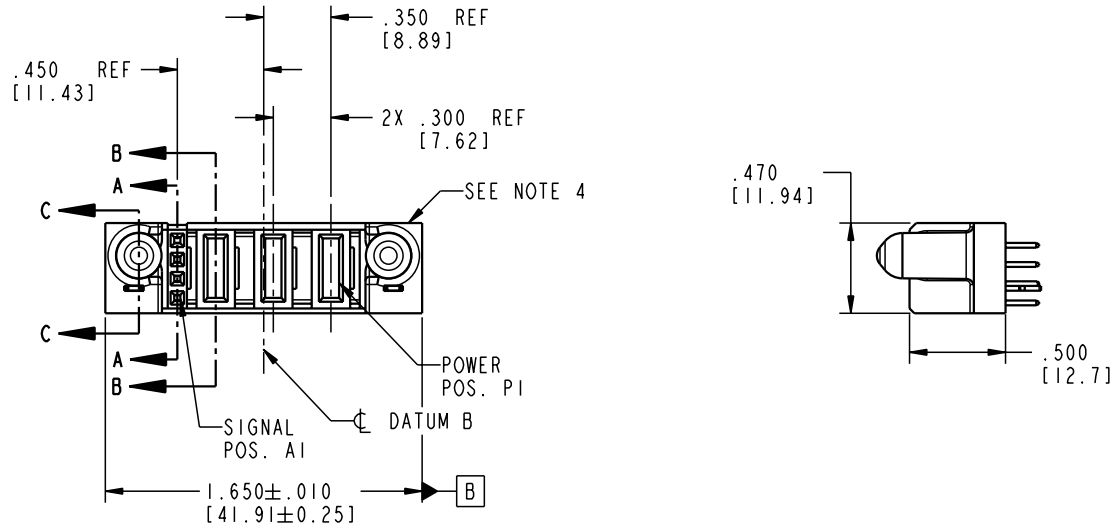


Tous droits strictement réservés. Reproduction ou communication o des tiers interdite sous quelque forme que ce soit sans autorisation écrite du propriétaire. Propriété de c FCI. Droits de reproduction FCI.

All rights strictly reserved. Reproduction or issue to third parties in any form whenever is not permitted without written authority from the proprietor. Property of FCI. Copyright FCI.

PRODUCT NO.	ROWS	POWER				
		E2	P3	P2	P1	E1
51940-091	D C B A					



CODE	DIM "M" MATING LENGTH	CONTACT TYPE
E	N/A [N/A]	SIGNAL
PJ	.042 [1.07]	POWER
PK	.092 [2.34]	POWER
HA	N/A [N/A]	HOLD-DOWN

mat'l code				SEE NOTE 2		tolerances unless otherwise specified		CUSTOMER		 www.fciconnect.com	
ltr	ecn no.	dr	date	linear	.XX ± .01/0.X ± 0.3		COPY		 title 3ACP + 4S VERTICAL SOLDER RECEIPT		
A	V04-0703	TAB	07/09/04		.XXX ± .005/0.XXX ± 0.13		projection				
					angles	.XXX ± .0020/0.XXX ± 0.051		 INCH/MM			
				dr	T. BRUNGARD	07/09/04	scale		product family PwrBlade		code
				engr	M. GRAY	07/09/04	1:1		size		213
				chr	M. GRAY	07/09/04			dwg no		sheet
				appd	M. GRAY	07/09/04			A 51940-091		1 of 4
sheet index	revision sheet	A	A	A	A						
		1	2	3	4						

Pro/E

cage code 22526

PDM: Rev:A

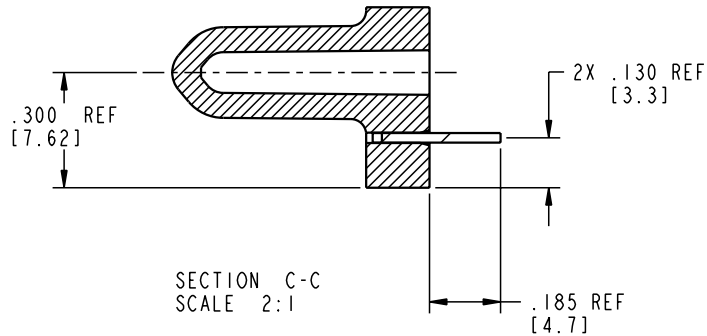
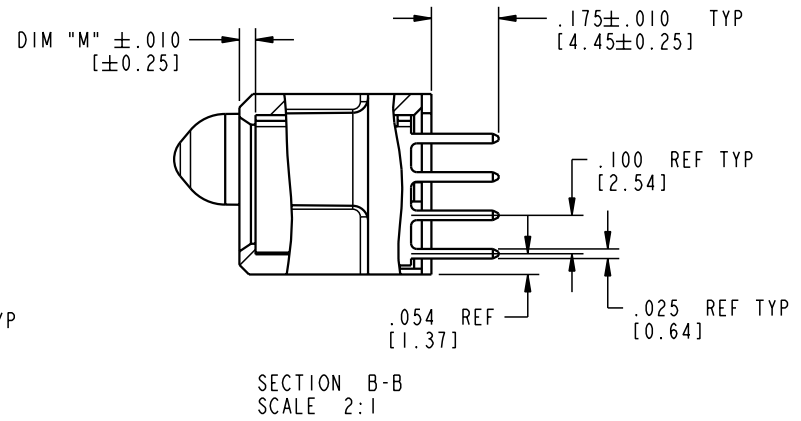
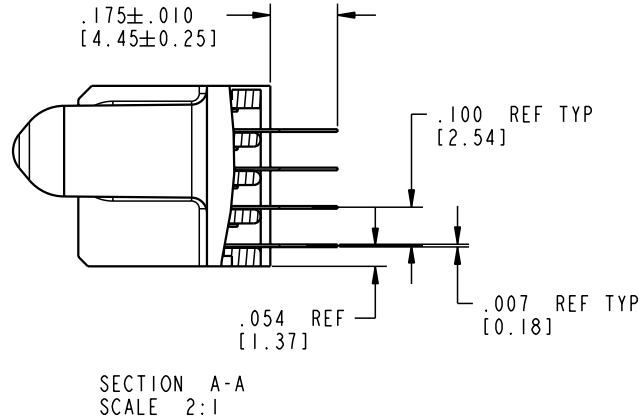
STATUS: Released


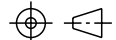
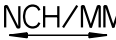
Printed: Dec 20, 2010

Tous droits strictement réservés. Reproduction ou communication o des tiers interdite sous quelque forme que ce soit sans autorisation écrite du propriétaire. Propriete de c FCI. Droits de reproduction FCI.

All rights strictly reserved. Reproduction or issue to third parties in any form whatever is not permitted without written authority from the proprietor. Property of FCI. Copyright FCI.

PRODUCT NUMBER
51940-091



mat'l code		SEE NOTE 2		tolerances unless otherwise specified		CUSTOMER		 www.fciconnect.com	
ltr	ecm no.	dr	date	linear	.XX ± .01/0.X ± 0.3	COPY			
A				projection	.XXX ± .005/0.XX ± 0.13			title 3ACP + 4S VERTICAL SOLDER RECEIPT	
				angles	.XXX ± .0020/0.XXX ± 0.051			product family PwrBlade code 213	
				dr	T. BRUNGARD 07/09/04	scale 1:1		size A 51940-091 sheet 2 of 4	
				enr	M. GRAY 07/09/04				
				chr	M. GRAY 07/09/04				
				appd	M. GRAY 07/09/04				
sheet index	revision sheet								

Pro/E

cage code 22526

PDM: Rev:A

STATUS: Released

Printed: Dec 20, 2010

Tous droits strictement réservés. Reproduction ou communication o des tiers interdite sous quelque forme que ce soit sans autorisation écrite du propriétaire. Propriété de c FCI. Droits de reproduction FCI.

A
FCI

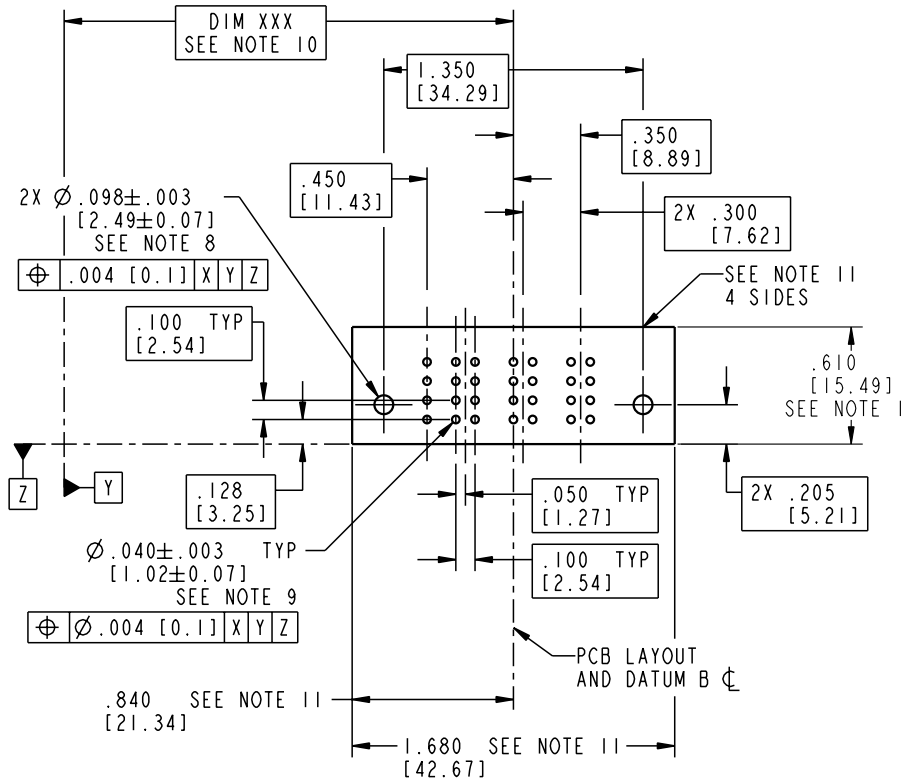
All rights strictly reserved. Reproduction or issue to third parties in any form whatever is not permitted without written authority from the proprietor. Property of FCI. Copyright FCI.

A

FCI

B

PRODUCT NUMBER
51940-091



A

FCI

B

mat'l code SEE NOTE 2				tolerances unless otherwise specified		CUSTOMER		A FCI www.fciconnect.com	
ltr	ecn no.	dr	date	linear	.XX±.01/0.X±0.3	COPY		title 3ACP + 4S	
A				projection	.XXX±.005/0.XX±0.13	INCH/MM		VERTICAL SOLDER RECEIPT	
				angles	.XXX±.0020/0.XXX±0.051	scale		product family PwrBlade	
				dr	T. BRUNGARD 07/09/04	1:1		code 213	
				enr	M. GRAY 07/09/04			size A	
				chr	M. GRAY 07/09/04			dwg no 51940-091	
				appd	M. GRAY 07/09/04			sheet 3 of 4	
sheet index		revision sheet							

Pro/E

3

cage code
22526

4

PDM: Rev:A

STATUS: **Released**

Printed: Dec 20, 2010

Tous droits strictement réservés. Reproduction ou communication o des tiers interdite sous quelque forme que ce soit sans autorisation écrite du propriétaire. Propriete de c FCI. Droits de reproduction FCI.

A
FCI

All rights strictly reserved. Reproduction or issue to third parties in any form, whatever is not permitted without written authority from the proprietor. Property of FCI. Copyright FCI.

B

PRODUCT NUMBER
51940-091

NOTES:

1. DIMENSIONS AND TOLERANCES ARE IN ACCORDANCE WITH ASME Y14.5M, 1994 UNLESS OTHERWISE SPECIFIED.

CONNECTOR NOTES:

2 HOUSING MATERIAL: UL 94 V-0 GLASS FILLED

HIGH-TEMP THERMOPLASTIC
POWER CONTACT MATERIAL: COPPER ALLOY
SIGNAL PIN MATERIAL: COPPER ALLOY

3. PLATING:
SIGNAL PINS: 30u"/0.76um Au OVER 50u"/1.27um Ni
POWER CONTACTS: 50u"/1.27um Ni UNDER ALL WITH 30u"/0.76um Au ON CONTACT AREA AND SnPb ON PCB INTERFACE

4 MANUFACTURER'S NAME, P/N, AND DATE CODE TO APPEAR ON THIS SURFACE.

5. PRODUCT SPECIFICATION GS-12-149.
APPLICATION SPECIFICATION BUS-20-067.

6. PACKAGED IN TRAYS.

PCB NOTES:


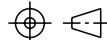
7. ALL HOLE DIAMETERS ARE FINISHED HOLE SIZE.

8 MOUNTING HOLES, WHERE APPLICABLE, ARE UNPLATED.

9 $\varnothing .0453 \pm .0010$ [1.151 \pm 0.025] DRILLED HOLES PLATED WITH .0003 [0.008] MIN SnPb OVER .001 [0.03] TO .003 [0.08] Cu PLATING TO ACHIEVE $\varnothing .040 \pm .003$ [1.02 \pm .07] HOLE.

10 "DIM XXX" TO BE DETERMINED BY THE CUSTOMER.

11 CONNECTOR KEEP-OUT ZONE.

mat'l code				SEE NOTE 2		tolerances unless otherwise specified		CUSTOMER		 www.fciconnect.com	
ltr	ecn no.	dr	date	linear	.XX±.01/0.X±0.3		COPY		title		
A					.XXX±.005/0.XX±0.13		projection		3ACP + 4S		
					.XXX±.0020/0.XX±0.051				VERTICAL SOLDER RECEPT		
				angles	0° ± 2°		INCH/MM		product family		code
				dr	T. BRUNGARD	07/09/04	scale		PwrBlade		213
				enr	M. GRAY	07/09/04	1:1		size		sheet
				chr	M. GRAY	07/09/04			A		4 of 4
				appd	M. GRAY	07/09/04			51940-091		
sheet index		revision sheet							cage code		
									22526		

A

B

1 | 2

3 |

4

1 | 2

Pro/E

3 |

cage code 22526

4