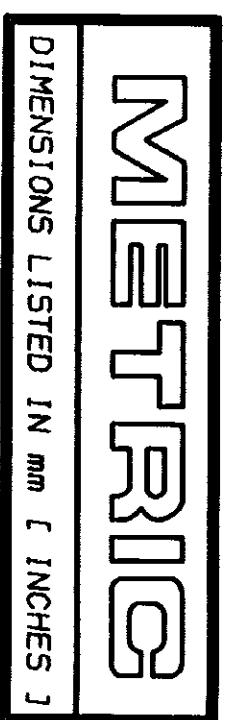
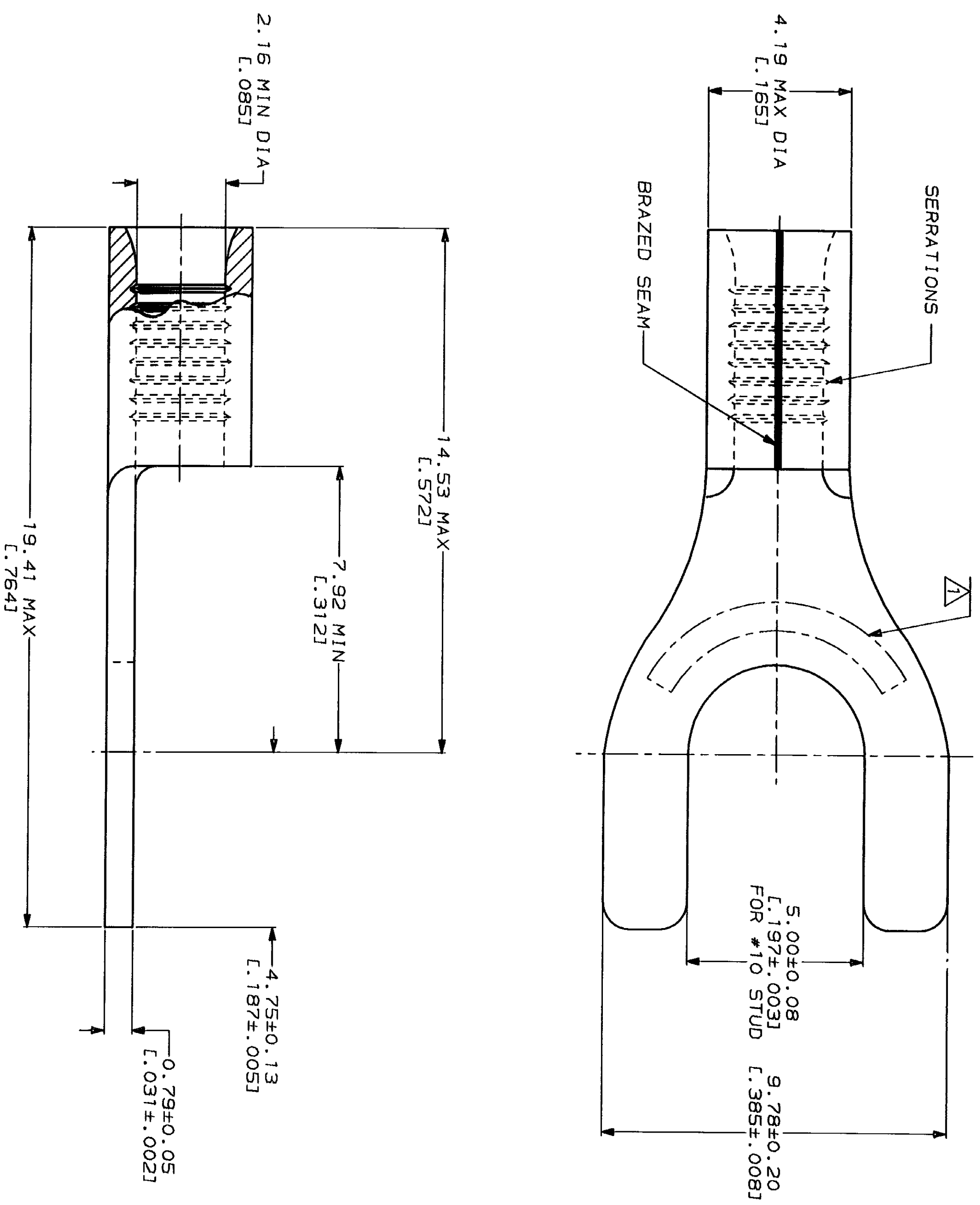


LOC	DIST	REV	DATE	APP
G	14	P		



AMP WIRE RANGE	UL E13288 Listed
16-14 AWG SOLID OR STRANDED	16-14 AWG SOLID OR STRANDED
LR7189 Certified	MILITARY P/N AND CLASS
16-14 AWG SOLID OR STRANDED	NOT APPLICABLE

△ STAMP AMP 16-14* APPROX AS SHOWN



AMP INCORPORATED
CUSTOMER SERVICE SYSTEMS

FOR ADDITIONAL PRODUCT INFORMATION OR COPIES OF DRAWINGS AND TECHNICAL DOCUMENTS
 1-800-522-6752

FOR APPLICATION TOOLING ASSISTANCE CENTER
 1-800-722-1111

FOR ORDER ENTRY
 1-800-526-5142

MAX RECOMMENDED OPERATING TEMPERATURE: 170°C MAX

VOLTAGE RATING: NOT APPLICABLE

WIRE CROSS SECTIONAL AREA RANGE: 1.04-2.62mm² [2.050-5.180] CIR MILS SOLID OR STRANDED

FINISH: TIN PLATE
 0.00254 [L.000100] MIN THK PER MIL-T-10727

QUANTITY	PACKAGE TYPE	PART NO
50	LOOSE PIECE, BAG	8-33219-5
100	LOOSE PIECE, BOX	8-33219-1
---	LOOSE PIECE	33219

DR 3-26-93 TA BRINKMAN
 CHK 3-26-93 DA PATTERSON
 APPD 3-26-93 DE MILLER
 APPD 3-26-93 JL MECKLEY
 PRODUCT SPEC

DO NOT SCALE PRINT. UNLESS SPECIFIED DIMENSIONS IN MILLIMETERS TOLERANCES ON: 1. PLC DEC ± .002 ANGLES ± .002

AMP INCORPORATED
 Harrisburg, PA 17105-3608

AMP
 TERMINAL, SPADE
 TONGUE, SOLI STRAND™

SIZE: 00779
 CAGE CODE: 00779
 DRAWING NO: 33219

CUSTOMER DRAWING