

4

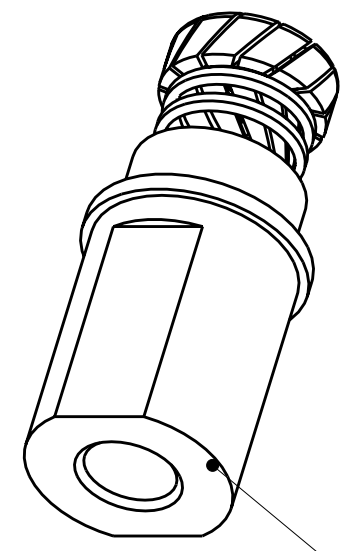
3

2

1

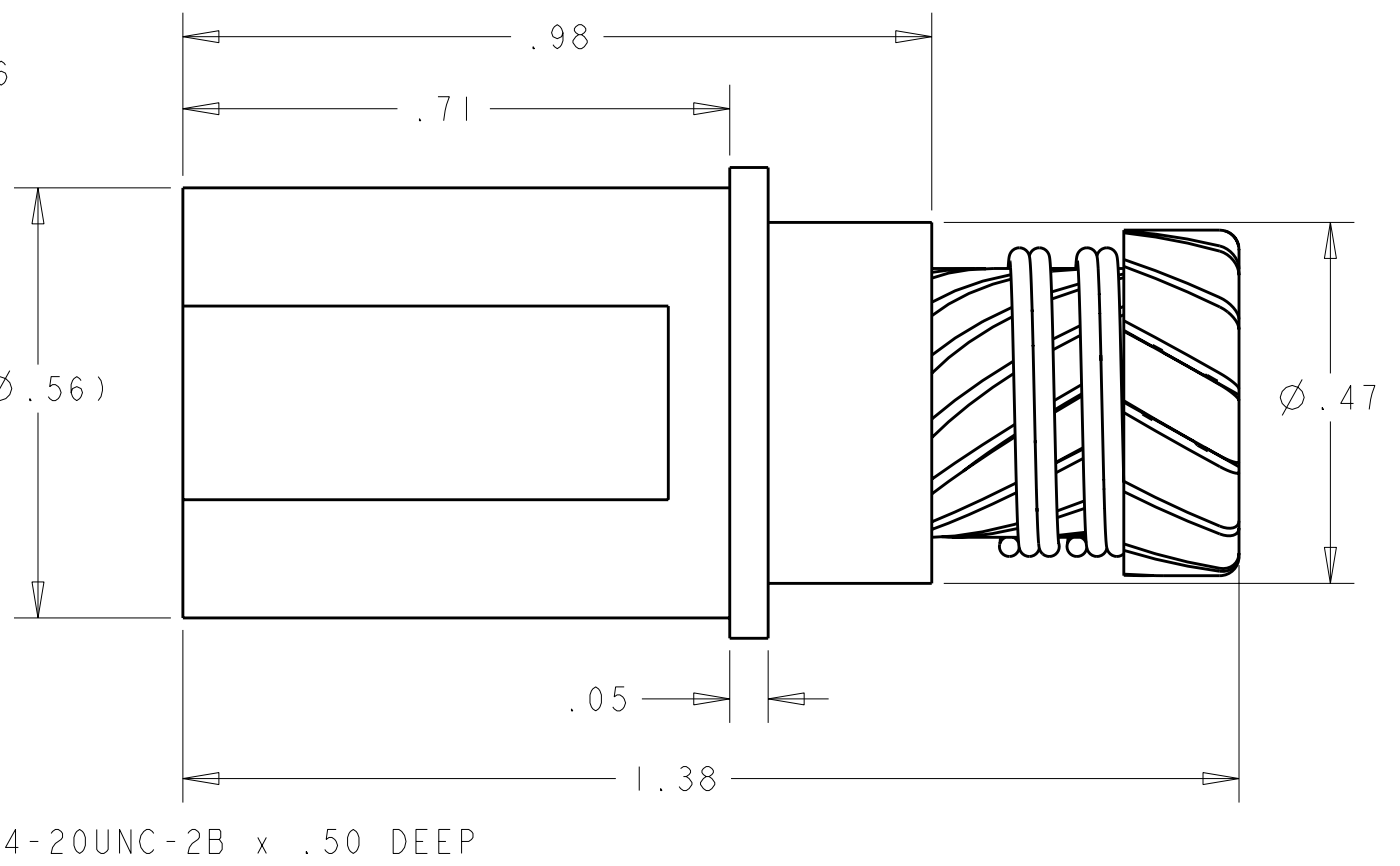
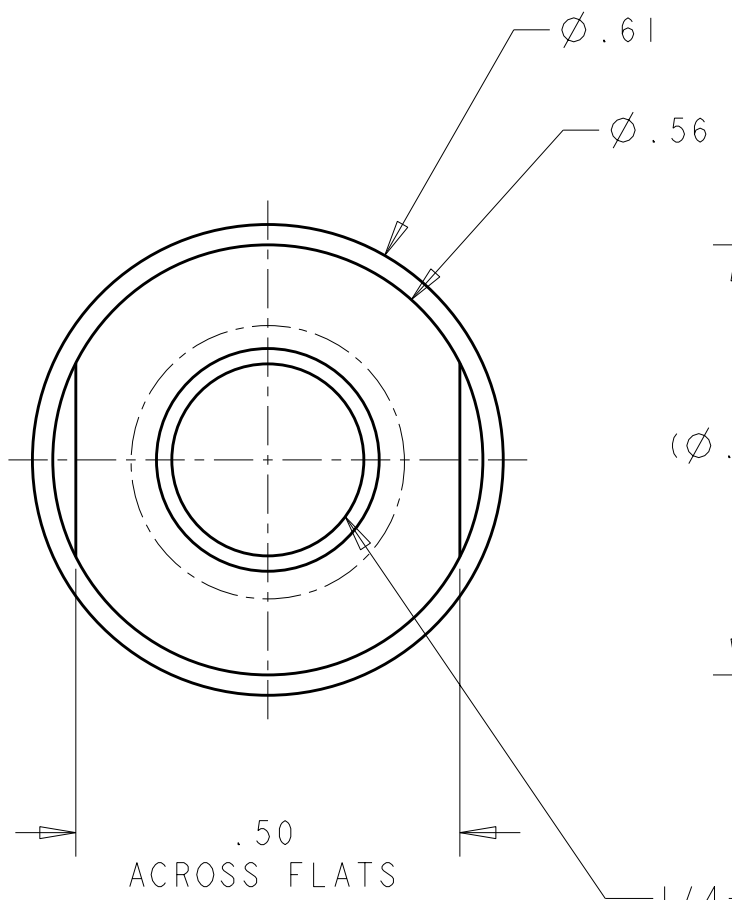
THIS DRAWING IS UNPUBLISHED. RELEASED FOR PUBLICATION 20
 © COPYRIGHT 20 BY TYCO ELECTRONICS CORPORATION. ALL RIGHTS RESERVED.

LOC	DIST	REVISIONS			
P	LTR	DESCRIPTION	DATE	DWN	APVD
GP	00	A	INITIAL RELEASE	01MAR2007	GIP MP



HELIX

SOCKET BODY



1/4-20UNC-2B x .50 DEEP

- PART NUMBER CHANGES AND OR DESIGN CHANGES AFFECTING ITEM INTERCHANGEABILITY REQUIRE PRIOR TYCO APPROVAL & AUTHORIZATION BY REVISION TO THIS DRAWING.
- MATERIAL:
 SOCKET BODY: COPPER ALLOY
 HELIX SEGMENT: COPPER WIRE
- PLATING: SOCKET BODY: SILVER PLATE .000200 MIN THK OVER NICKEL .000040 MIN THK.
 HELIX SEGMENT: COPPER ALLOY, SILVER PLATED, .000040 MIN THICK.

4. CONTACT ASSEMBLY USES HELIX SEGMENT PN: 1766475.
 NOTES: UNLESS OTHERWISE SPECIFIED.

6648415-1
 PART NUMBER

<small>THIS DRAWING IS A CONTROLLED DOCUMENT FOR TYCO ELECTRONICS CORPORATION IT IS SUBJECT TO CHANGE AND THE CONTROLLING ENGINEERING ORGANIZATION SHOULD BE CONTACTED FOR THE LATEST REVISION.</small>		DWN G.PETERS 01MAR2007 CHK M.PERCHERKE 01MAR2007 APVD S.FLICKINGER 01MAR2007	tyco Electronics Tyco Electronics Harrisburg, PA 17105-3608
DIMENSIONS: INCHES [mm]	TOLERANCES UNLESS OTHERWISE SPECIFIED: 0 PLC ±- 1 PLC ±- 2 PLC ±.02 3 PLC ±- 4 PLC ±- ANGLES ±-	PRODUCT SPEC - APPLICATION SPEC - WEIGHT -	NAME CONTACT SOCKET 1/4 HELIX w/ 1/4-20UNC-2B THREAD SIZE A3 CAGE CODE 00779 DRAWING NO C-6648415 RESTRICTED TO -
MATERIAL -	FINISH -	CUSTOMER DRAWING SCALE SHEET OF REV A	