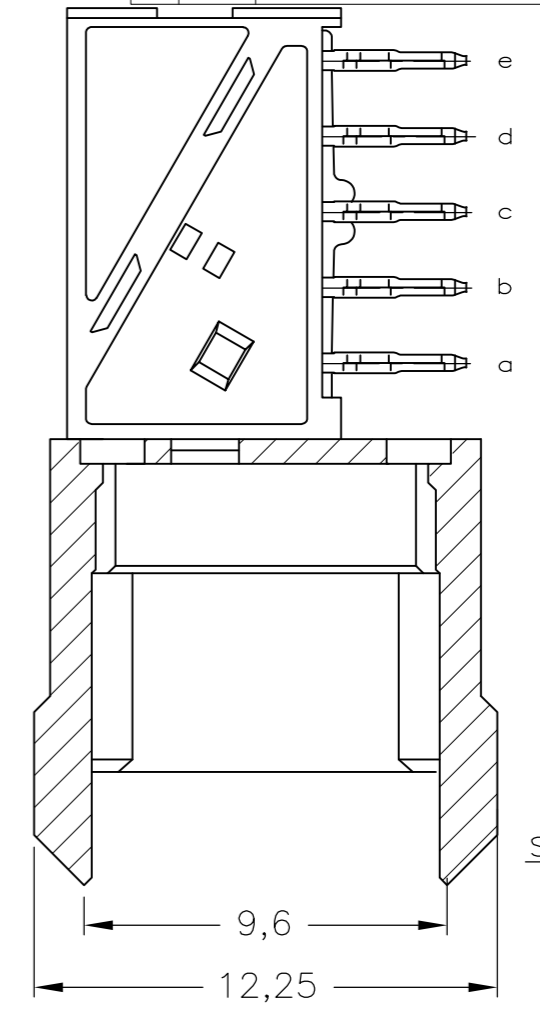
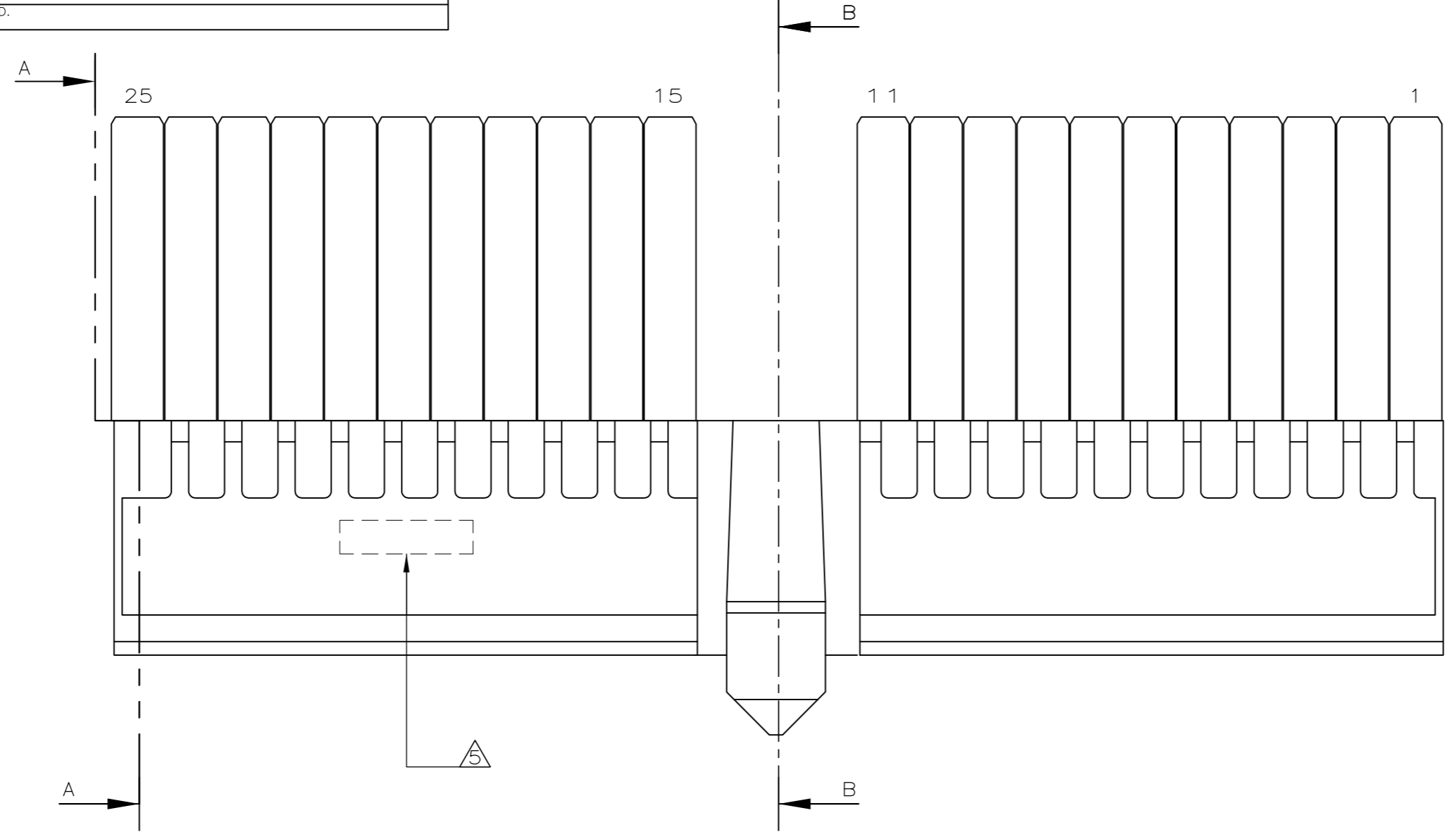
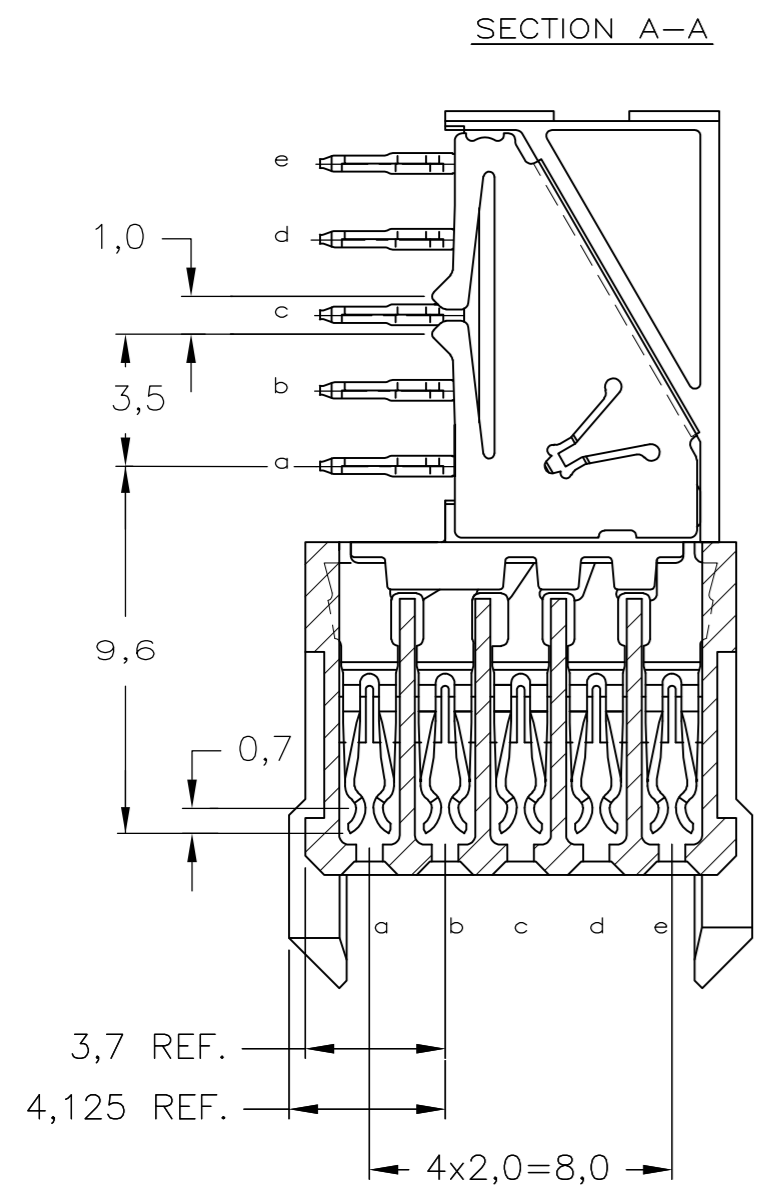
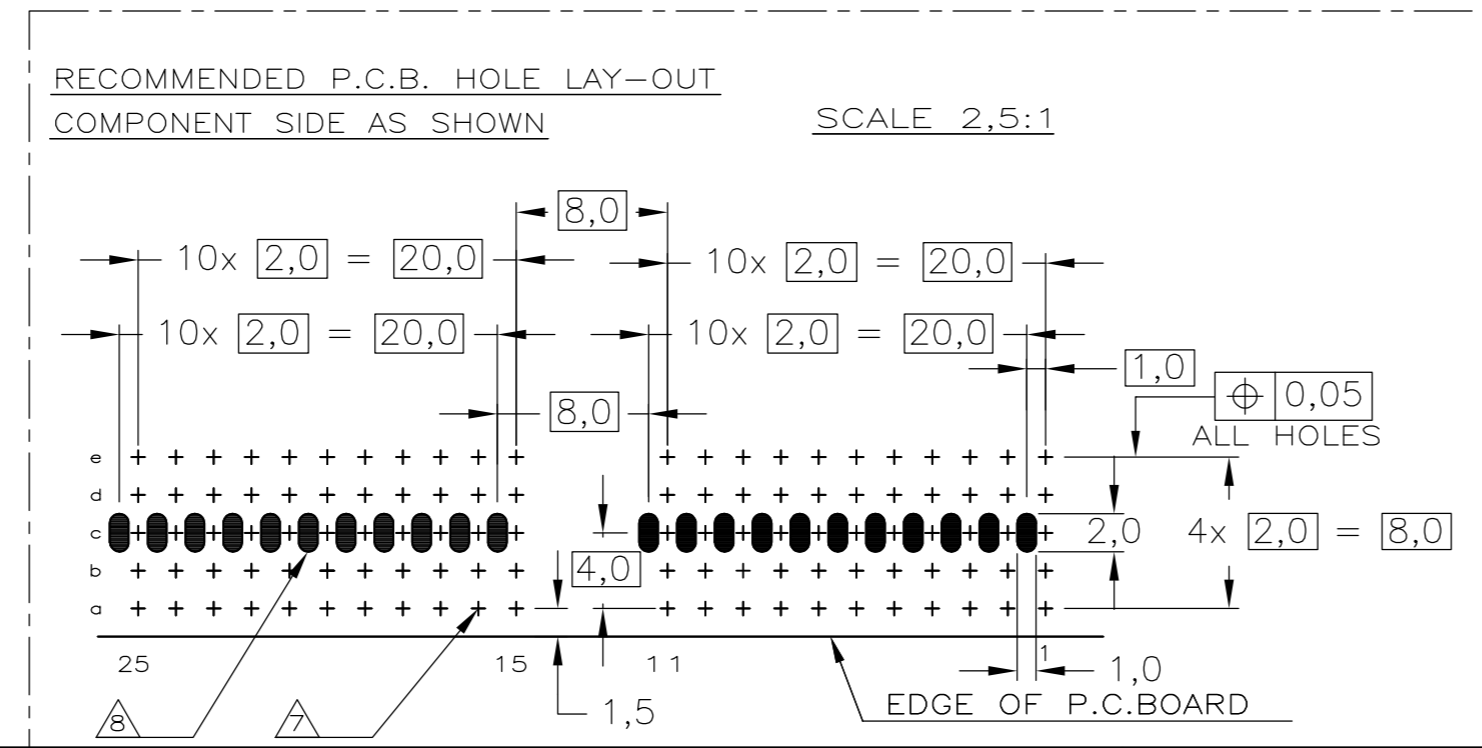
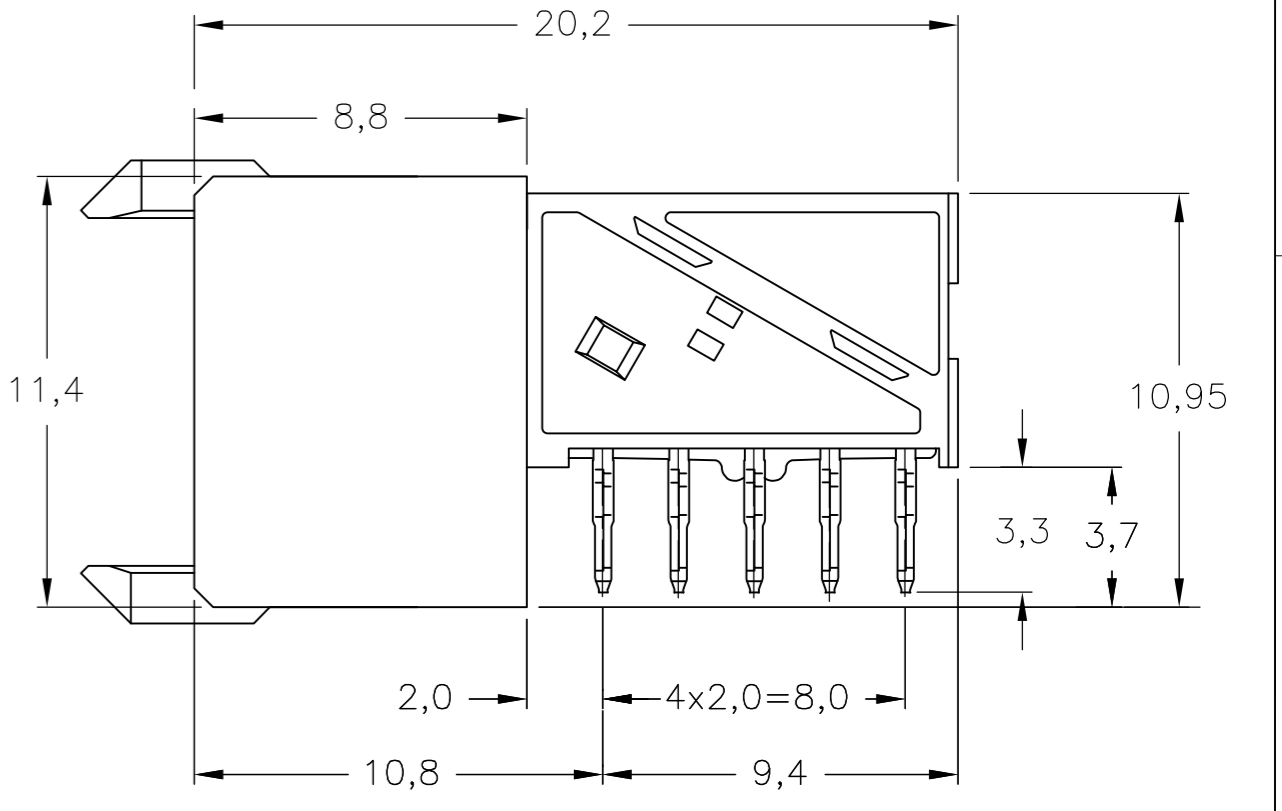
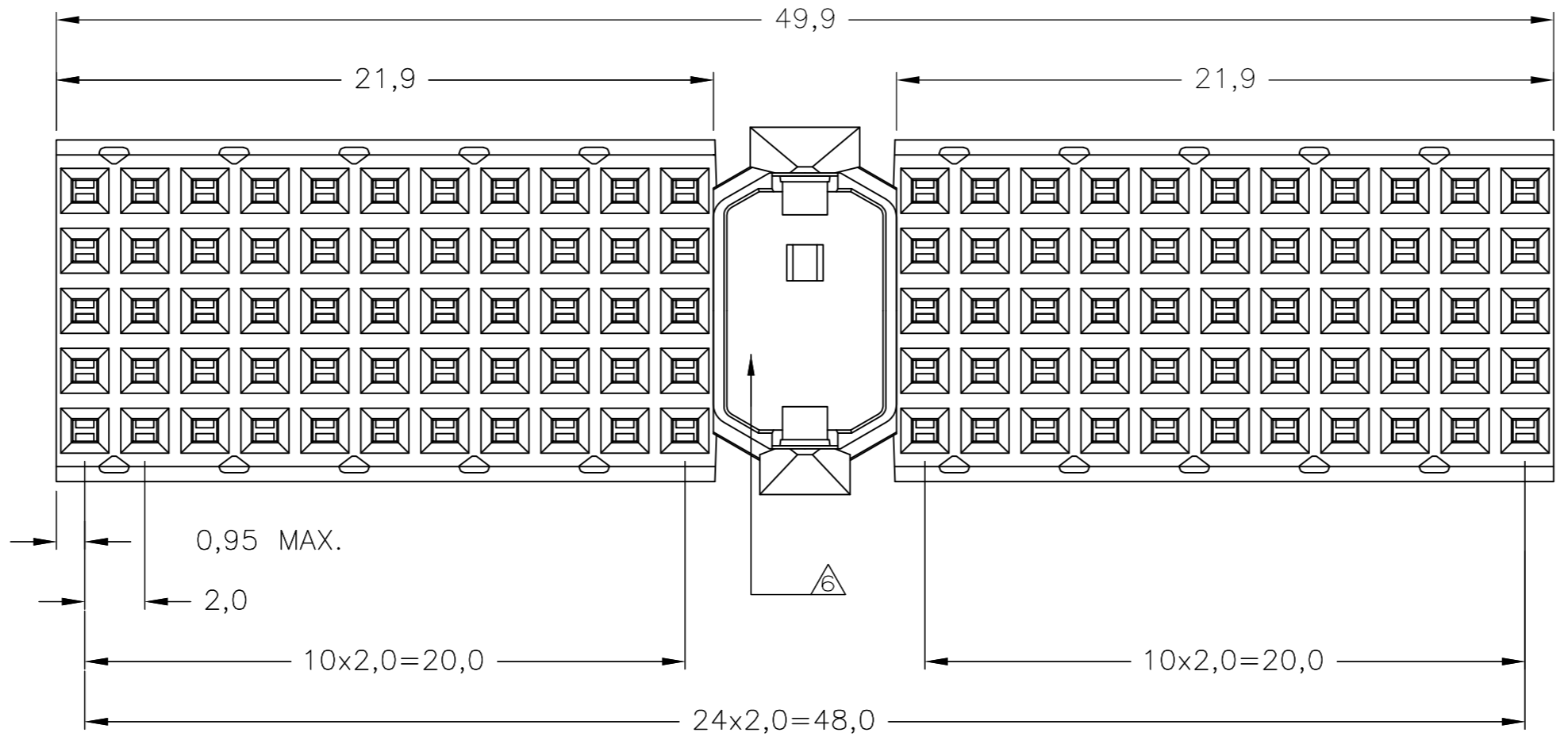


THIS DRAWING IS UNPUBLISHED. RELEASED FOR PUBLICATION
 © COPYRIGHT BY TYCO ELECTRONICS CORPORATION. ALL RIGHTS RESERVED.

LOC	DIST	REVISIONS					
		P	LTR	DESCRIPTION	DATE	DWN	APVD
		C		ECR-06-026577	14-11-06	BSV	BM
		C1		REVISED PER ECO-10-000444	19JAN10	KK	HMR



- NOTES:
- 1 MATERIAL : CONTACT; PHOSPHORBRONZE
REDUCED CROSS-TALK SHIELD; PHOSPHORBRONZE
HOUSING; GLASSFILLED POLYESTER (GRAY)
 - 2 GENERAL CONTACT PLATING SPECIFICATION: UNDERPLATING
(ENTIRE CONTACT): 1,27µm NICKEL MIN. AND
ACTION PIN: 0,5µm TIN MIN.FOR PLATING OF MATING
SURFACES SEE APPLICABLE SPECIFICATION REFERENCE FOR
EACH DASH NUMBER.
REDUCED CROSS-TALK SHIELD PLATING:
GOLD FLASH OVER 1,27 µm NICKEL MIN.
 - 3 CONFORMS TO ALL TESTING ACCORDING IEC 61076-4-101
PERFORMANCE LEVEL 2.
 - 4 CONFORMS TO ALL TESTING ACCORDING IEC 61076-4-101
PERFORMANCE LEVEL 1.
 - 5 CONNECTOR PRINTED WITH PARTNUMBER AND
DATECODE THE MARKING CAN APPEAR ON THE
FRONT SIDE OR ON THE BACK SIDE.
 - 6 AREA RESERVED FOR KEYING PART
(BASIC P.N.100526)
 - 7 PLATED-THROUGH HOLES AT 2x2mm SQUARE GRID
TOTAL 110 HOLES.
 - 8 PLATED SPOT ONLY ON COMPONENT SIDE, FORMING
ONE CONTACT WITH PLATED THROUGH HOLES
OF ROW C
 - 9. FITS WITH INTEGRATED GROUND RETURN
UPPERSHIELD 5338107-2 AND LOWERSHIELD
5338108-2.
 - 10 OBSOLETE PARTS: OBSOLETE CIS STREAMLINING PER
D.RENAUD/D.SINISI



P.C.B. HOLE DIM. ACTION PIN
FOR DETAILS SEE
APPLICATION SPECIFICATION

THIS DRAWING IS A CONTROLLED DOCUMENT.		DWN	10AUG2004
DIMENSIONS: mm		CHK	22SEP2004
TOLERANCES UNLESS OTHERWISE SPECIFIED:		APVD	22SEP2004
0 PLC	± -	NAME	
1 PLC	± -	K.N.KIRAN	
2 PLC	± -	B.MOOIJ	
3 PLC	± -	PRODUCT SPEC	
4 PLC	± -	108-19082	
ANGLES	± -	APPLICATION SPEC	
FINISH	-	114-19029	
MATERIAL		WEIGHT	-
-		SCALE	5:1
-		SHEET	1 OF 1
-		REV	C1

2 4	1	10	5100623-4
2 3	1		5100623-1
FINISH		PARTNUMBER	
MATERIAL		PARTNUMBER	

Tyco Electronics Corporation		s-Hertogenbosch, Netherlands,	
Z-PACK 2mm HM TYPE A			
110 POS. FEMALE CONNECTOR			
WITH REDUCED CROSSTALK SHIELD			
SIZE	CAGE CODE	DRAWING NO	RESTRICTED TO
A2	00779	C=5100623	-
CUSTOMER DRAWING		SCALE	5:1
SHEET		1 OF 1	REV
-		C1	