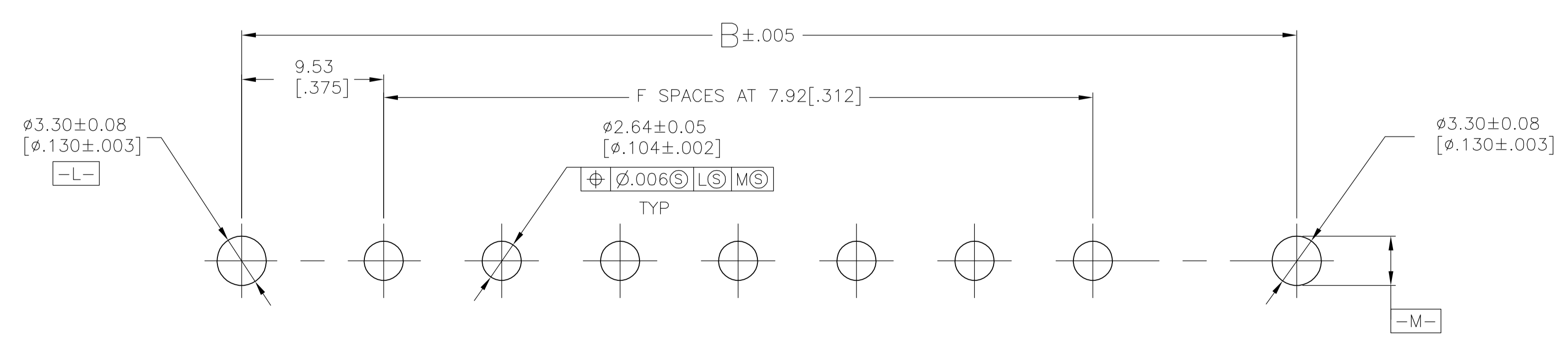
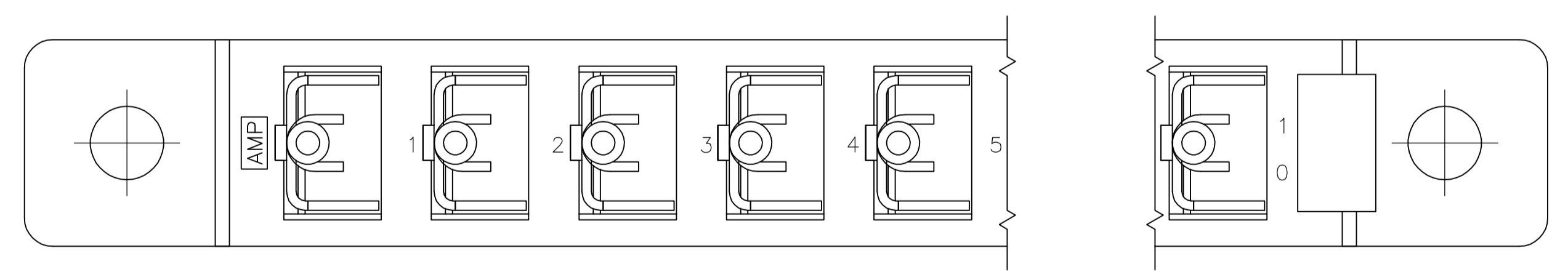
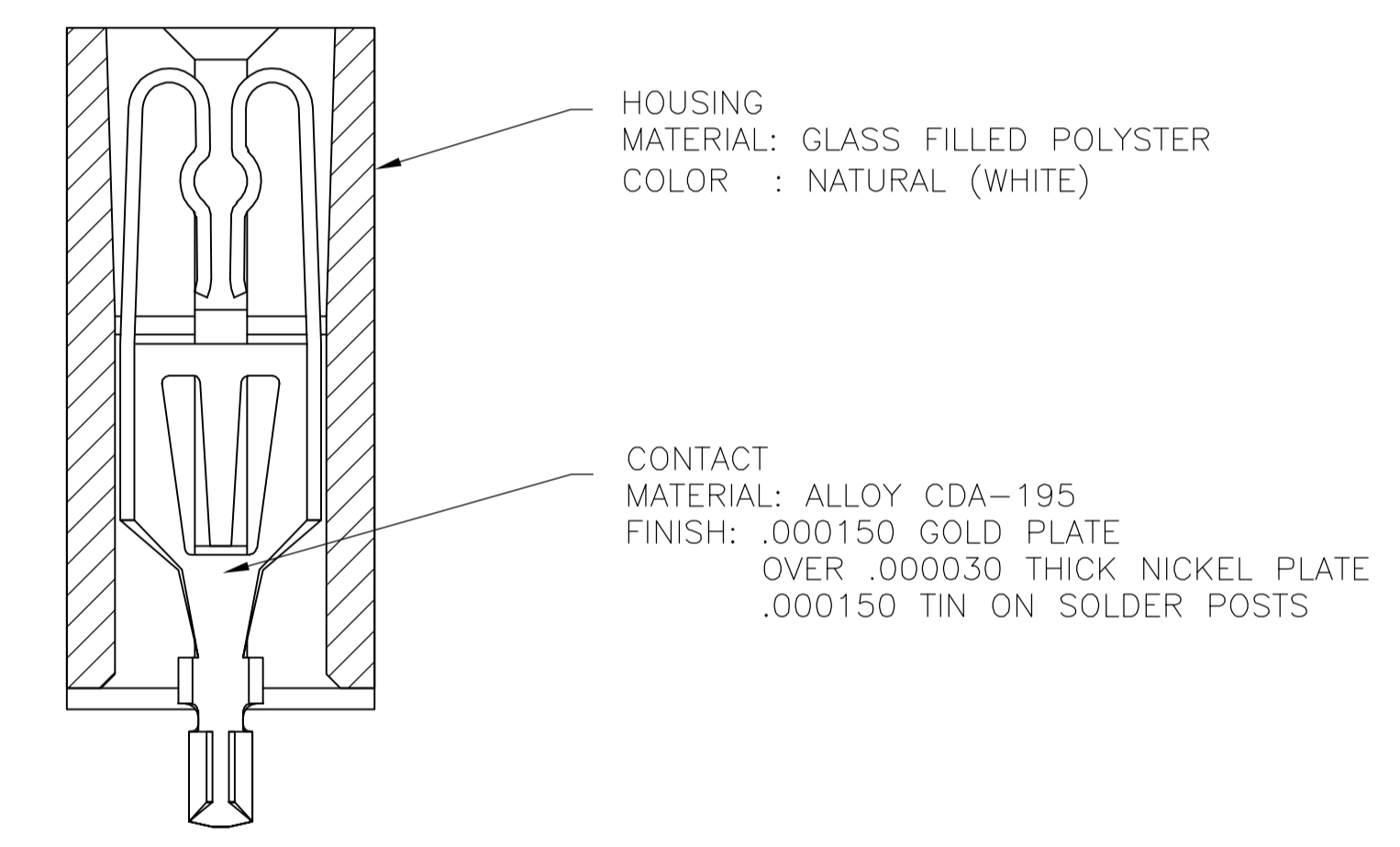
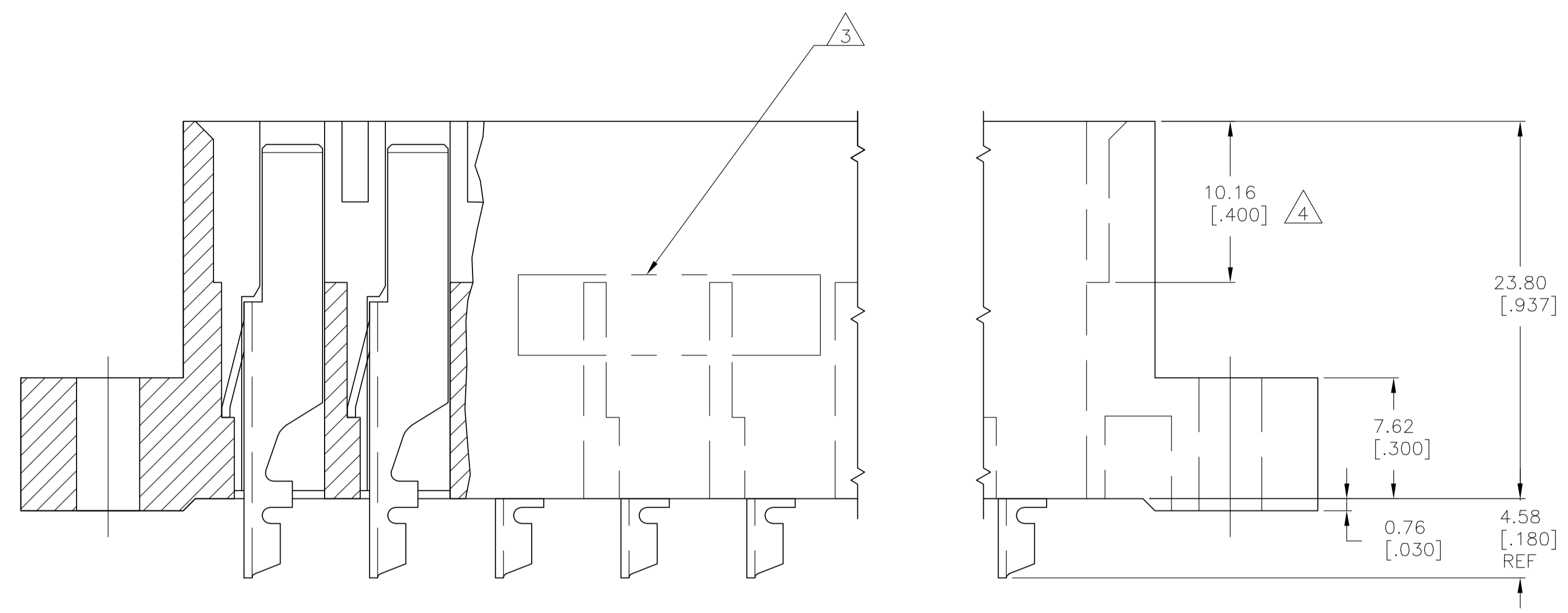


1. A 1/16" THICK DUMMY PC BOARD SHOULD BE INSERTED DURING SOLDERING.
2. MEASURE ACROSS MOUNTING EARS. MAY GOTO .020 OVER NOMINAL AT TOP OF THE HOUSING.
3. VOID CORING OPTION.
4. MATTE TIN PLATED POST.



△ 11	4.780	3.972	3.832	4.346	12	△ 5-645200-3
11	4.780	3.972	3.832	4.346	12	645200-3
OBSELETE 7	3.532	2.724	2.584	3.098	8	645200-2
OBSELETE 5	2.908	2.100	1.960	2.474	6	645200-1
	F	E	D	C	B	NO. OF POSN. PART NUMBER

THIS DRAWING IS A CONTROLLED DOCUMENT.

DIMENSIONS: mm [INCHES]	TOLERANCES UNLESS OTHERWISE SPECIFIED:	DW R BROWN 230CT94		Tyco Electronics Corporation Harrisburg, Pa 17105-3608
0 PLC ± -	1 PLC ± -	CHK C MOSHER 230CT94		NAME
2 PLC ± -	3 PLC ± .005	APVO C MOSHER 230CT94	PRODUCT SPEC	CONNECTOR ASSEMBLY, HIGH CURRENT (GOLD CONTACTS)
4 PLC ± -	ANGLES ± °	APPLICATION SPEC	SIZE	CAGE CODE
MATERIAL SEE CALLOUTS	FINISH SEE CALLOUTS	WEIGHT	A1 00779	DRAWING NO
			645200	RESTRICTED TO
		CUSTOMER DRAWING	SCALE 4:1	SHEET 1 of 1