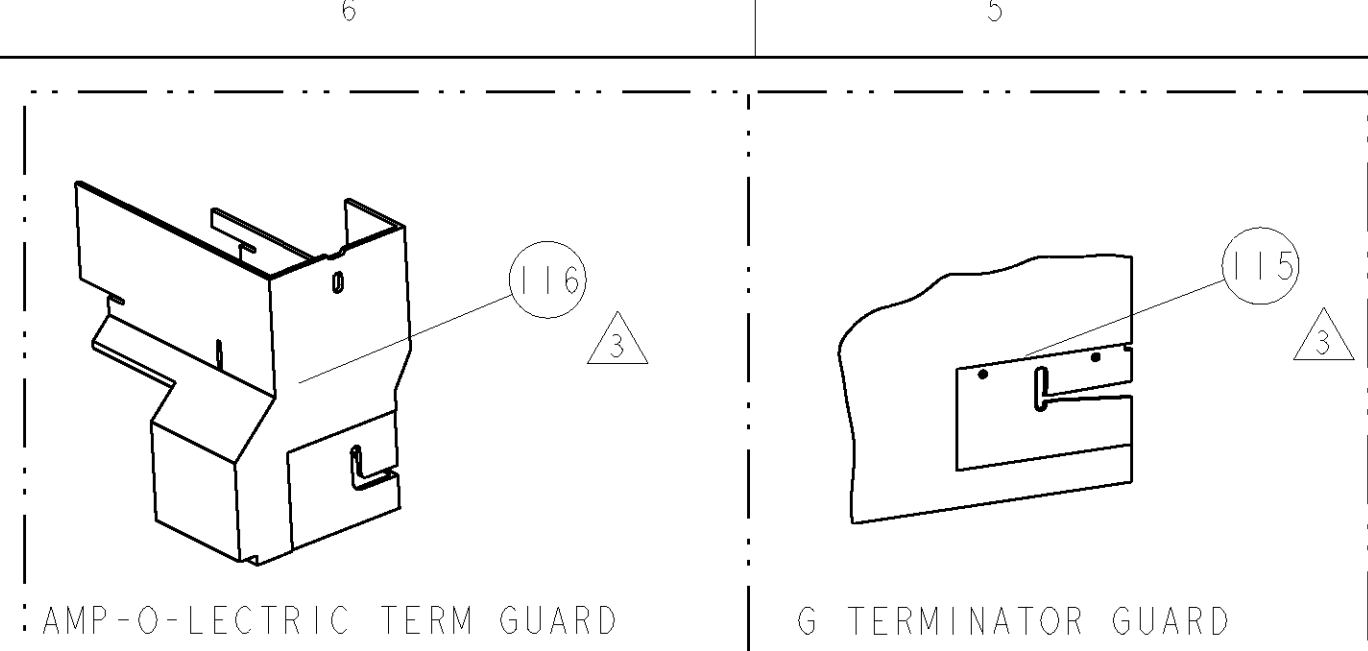


PART NUMBER	REV	FIRST USED	POWER UNIT	FEED TYPE	DESCRIPTION
1855247-1	A	122500-1	LEADMAKER	AIR FEED	CUTS CARRIER
1855247-2	A	565435-5	BENCH MODEL K	AIR FEED	CUTS CARRIER
1855247-3	A	354500-1	BENCH MODEL G	AIR FEED	CUTS CARRIER
7-1855247-7	A	-	-	-	SPARE PARTS

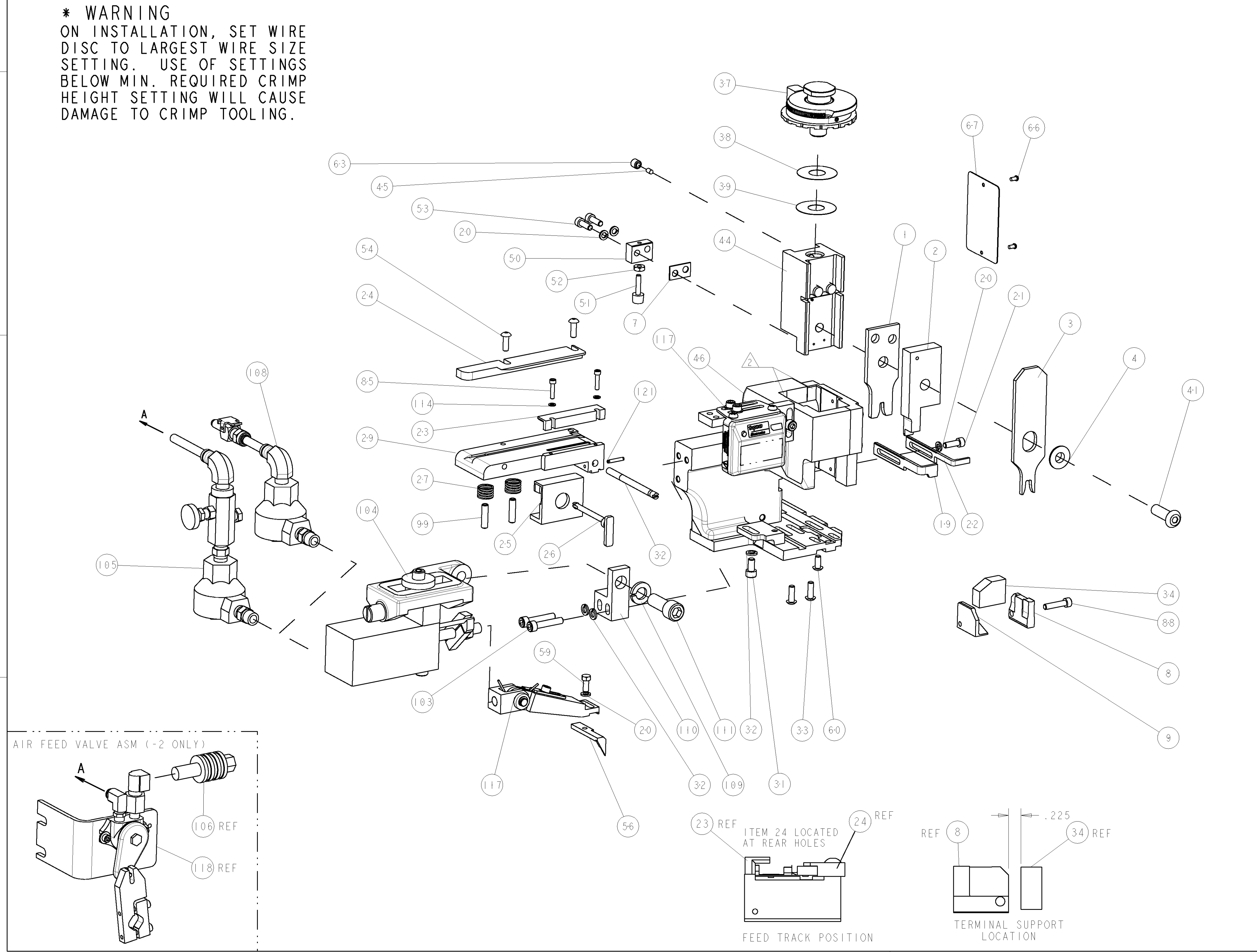


AMP		PACKARD	PACKARD TERMINAL - AMP CRIMP SPECS		REF SETTING
1949324-1	12160641				
			CRIMP HEIGHT	WIRE SIZE	
			.070±.002 [1.78±0.05mm]	(2) 1mm2	B9
			.066±.002 [1.68±0.05mm]	(2) 0.8mm2	C5
			CRIMP	SIZE	TYPE
			WIRE	.130 [3.30mm]	F
			INSUL	.210 [5.33mm]	F
				Ø.077-.104	
WIRE STRIP LENGTH	TERM APPL SPEC	FEED	APPLICATOR INSTRUCTIONS		SET UP GAGE
.219 -.250	NONE	.590	408-8040		458637-1

- △ RECOMMENDED SPARE PARTS
- △ GREASE LIGHTLY
- △ GUARD MUST BE IN PLACE WHEN OPERATING APPLICATOR IN A BENCH MACHINE

*** WARNING**
ON INSTALLATION, SET WIRE DISC TO LARGEST WIRE SIZE SETTING. USE OF SETTINGS BELOW MIN. REQUIRED CRIMP HEIGHT SETTING WILL CAUSE DAMAGE TO CRIMP TOOLING.

LOC	DIST	REV	DESCRIPTION	DATE	BY	APPD
A	66		RELEASED	07JUN2007	BH	BH



QTY	REV	DESCRIPTION	ITEM NO
-	1	PIN, SLOTTED SPRING .094 X .562	121
-	-	REF - - 692655-6 AIR FEED VALVE ASSEMBLY	118
-	1	461062-1 FEED FINGER ASSEMBLY	117
-	-	REF - - 455749-1 GUARD WINDOW	116
-	REF	- - 679532-1 INSERT, GUARD	115
-	2	21024-2 WASHER, SPRG LOCK, REG NO 4	114
-	1	3-21001-5 SCR, SKT HD CAP 3/8-16 X 1.000	111
-	1	459610-1 MOUNT, FEED BRACKET	110
-	1	21024-8 WASHER, SPRG LOCK, REG 3/8	109
-	1	692655-7 AIR FEED VALVE ASSEMBLY	108
-	-	REF - - 24024-2 VALVE, SHUT OFF	106
-	-	REF - - 692655-5 AIR FEED VALVE ASSEMBLY	105
-	1	461065-1 ASSEMBLY, AIR FEED	104
-	2	3-21000-9 SCR, SKT HD CAP 10-32 X 1.000	103
-	2	5-21006-6 SCR, SET, CUP POINT 10-32 X .750	99
-	1	2-21000-9 SCR, SKT HD CAP 8-32 X .750	88
-	2	1-21000-5 SCR, SKT HD CAP 4-40 X .500	85
-	1	4088040 SF APPL INST 408-8040	72
-	1	217238-1 GENERAL INSTRUCTION PKG	71
-	1	461264-5 PLATE, IDENTIFICATION	67
-	2	21017-2 SCREW, DRIVE	66
-	1	21009-2 SCR, SET, SELF LOCKING 1/4-20 X .250	63
-	1	22733-8 SCR, BHSC, SELF-LOCKING, 8-32 X .375	60
-	1	2-22603-1 SCR, HEX HD CAP 8-32 X .375	59
-	1	2-694433-6 FEED PAWL	56
-	2	2-21002-2 SCR, BTN SKT HD CAP 8-32 X .500	54
-	2	2-21000-7 SCR, SKT HD CAP 8-32 X .500	53
-	1	21018-5 NUT, HEX, REG 6-32	52
-	1	811242-2 BUMPER, HOLD DOWN	51
-	1	690753-1 SPACER, TONKER	50
-	1	1633399-1 APPL., BASIC AIR FEED SUB ASSY	46
-	1	690191-1 PLUG, NYLON	45
-	1	2-819307-4 RAM, SIDE FEED	44
-	1	690686-2 CRIMPER, BOLT SPECIAL	41
-	1	690125-1 SHIM SUB-ASSY	39
-	1	469367-1 SHIM	38
-	1	879103-2 FINE ADJUST HEAD ASSEMBLY	37
-	1	690786-1 TERMINAL SUPPORT	34
-	2	2-21002-2 SCR, BTN SKT HD CAP 8-32 X .500	33
-	1	690432-3 ADJUSTMENT SCREW	32
-	3	21024-5 WASHER, SPRG LOCK, REG NO 10	32
-	1	3-21000-4 SCR, SKT HD CAP 10-32 X .375	31
-	1	3-455671-9 PLATE, STRIP GUIDE	29
-	2	1-22284-0 SPRING, COMPRESSION	27
-	1	690546-1 LEVER, DRAG RELEASE	26
-	1	690754-7 DRAG, SPECIAL	25
-	1	1-690440-9 GUIDE, REAR STRIP	24
-	1	1-690712-1 FRONT STRIP GUIDE	23
-	-	REF - - 690472-2 STRIPPER	22
-	1	2-21000-7 SCR, SKT HD CAP 8-32 X .500	21
-	4	21024-4 WASHER, SPRG LOCK, REG NO 8	20
-	1	691353-1 STRIPPER	19
-	1	3-853714-6 PLATE, REAR SHEAR	9
-	1	1214596-6 ANVIL, SPECIAL COMBINATION	8
-	1	1-240641-9 SPACER	7
-	1	238009-1 BLOCK, FL CRIMPER SPACER	4
-	1	8-1213077-6 CRIMPER, INSULATION PREMIUM	3
-	1	2-853720-2 BLADE, SLUG	2
-	1	3-456410-4 CRIMPER, WIRE PREMIUM	1

DIMENSIONS: INCHES		TOLERANCES UNLESS OTHERWISE SPECIFIED:		DWG: B. HIGMAN 06MAR2007		Tyco Electronics Harrisburg, PA 17105-3608	
0 PLC	±	1 PLC	±0.1	APVD: B. HIGMAN 06MAR2007	NAME: T. BENCHOFF	FINE ADJUST SIDE FEED HDM APPLICATOR	
1 PLC	±0.01	2 PLC	±0.01	PRODUCT SPEC		SIZE: A1	CAGE CODE: 00779
3 PLC	±0.001	4 PLC	±0.001	APPLICATION SPEC		SCALE: 3:5	DRAWING NO: 1855247
ANGLES	±0.0001	FINISH		WEIGHT		SHEET: 1	REV: A
MATERIAL				CUSTOMER DRAWING		RESTRICTED TO	