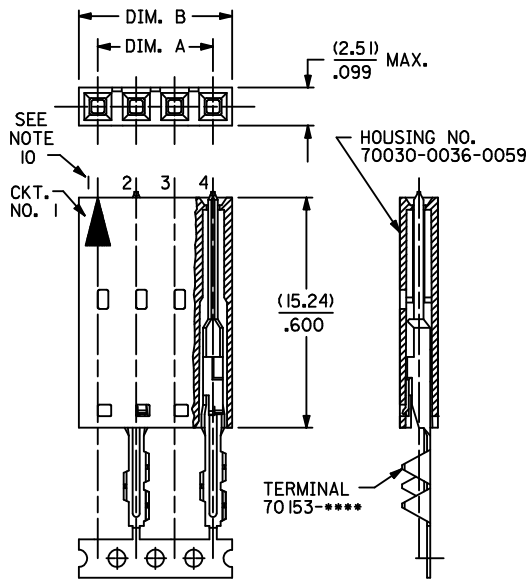
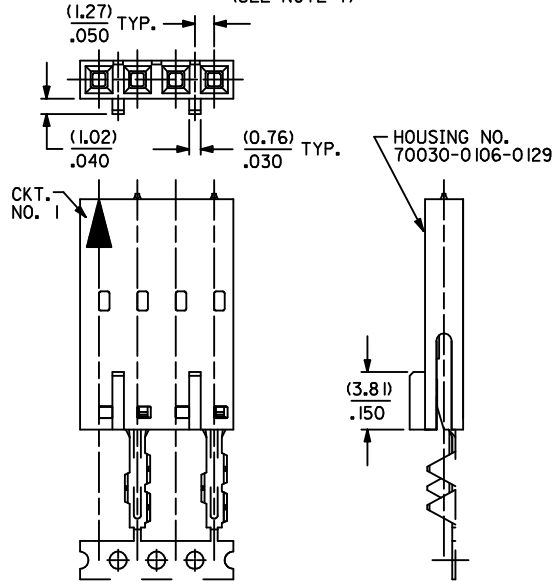


OPTION -A-



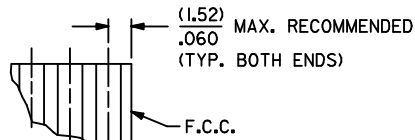
OPTION -D-
(SEE NOTE 7)



CKT. SIZE	A	B
4	(7.62) .300	(10.13) .399
5	(10.16) .400	(12.67) .499
6	(12.70) .500	(15.21) .599
7	(15.24) .600	(17.75) .699
8	(17.78) .700	(20.29) .799
9	(20.32) .800	(22.83) .899
10	(22.86) .900	(25.37) .999
11	(25.40) 1.000	(27.91) 1.099
12	(27.94) 1.100	(30.45) 1.199
13	(30.48) 1.200	(32.99) 1.299
14	(33.02) 1.300	(35.53) 1.399
15	(35.56) 1.400	(38.07) 1.499
16	(38.10) 1.500	(40.61) 1.599
17	(40.64) 1.600	(43.15) 1.699
18	(43.18) 1.700	(45.69) 1.799
19	(45.72) 1.800	(48.23) 1.899
20	(48.26) 1.900	(50.77) 1.999
21	(50.80) 2.000	(53.31) 2.099
22	(53.34) 2.100	(55.85) 2.199
23	(55.88) 2.200	(58.39) 2.299
24	(58.42) 2.300	(60.93) 2.399
25	(60.96) 2.400	(63.47) 2.499

NOTES:

- 1) SEE TABLE FOR CIRCUIT SIZES.
- 2) TERMINALS ARE SHOWN PRE-LOADED INTO HOUSING AND LOCKED INTO FIRST ROW.
- 3) STANDARD PACKAGING PER PK-70873-0001 SHALL BE USED.
- 4) ALL DIMENSIONS ARE FOR REFERENCE ONLY.
- 5) SEE SHEET 2 OF FAMILY DRAWING FOR PART NO'S. AND PLATINGS.
- 6) PRE LOADED ASSEMBLY TO BE USED WITH (0.30)/.012 MAXIMUM THICK FLAT FLEX CABLE WITH (1.57)/.062 WIDE COPPER CONDUCTORS ON (2.54)/.100 CENTERS OR, (0.13)/.005 - (0.28)/.011 THICK MYLAR WITH (1.02)/.040 - (1.65)/.065 WIDE SILVER INK CONDUCTORS ON (2.54)/.100 CENTERS.
- 7) RECOMMENDED F.F.C. CONFIGURATION FOR OPTION "D" ONLY; WHEN USED WITH INTERIM CLIPS. SEE DETAIL 1.
- 8) SEE SHEET 2 FOR CORE-OUT CONFIGURATION.
- 9) REFER TO PRODUCT SPECIFICATION NO.: PS-70430.
- 10) NUMBERS DO NOT APPEAR ON ASSEMBLIES.



DETAIL - 1
(SEE NOTE 7)

UPDATE NOTES EC NO: UCP2013-1408 DRWNT: IBARRA 2012/10/10 CHKD: DMORGAN 2012/10/10 APPR: SMILLER 2012/10/25	QUALITY SYMBOLS ▽=0 ▽=0 ▽=0	GENERAL TOLERANCES (UNLESS SPECIFIED)		DIMENSION STYLE MM/IN		SCALE 1:1	DESIGN UNITS INCH	THIRD ANGLE PROJECTION			
		4 PLACES ± --- ± ---	3 PLACES ± --- ± ---	2 PLACES ± --- ± ---	1 PLACE ± --- ± ---	0 PLACE ± --- ± ---	DRAWN BY TIBARRA	DATE 2012/10/10	ASSEMBLY, CONNECTOR F.F.C. MALE SINGLE ROW 2.54/.100 GRID W/ VOIDS molex		
		ANGULAR ±1/2°					CHECKED BY DMORGAN	DATE 2012/10/10			
		DRAFT WHERE APPLICABLE MUST REMAIN WITHIN DIMENSIONS					APPROVED BY SMILLER	DATE 2012/10/25	SHEET NO. 1 OF 2		
THIS DRAWING CONTAINS INFORMATION THAT IS PROPRIETARY TO MOLEX INCORPORATED AND SHOULD NOT BE USED WITHOUT WRITTEN PERMISSION											

OPTION "A"

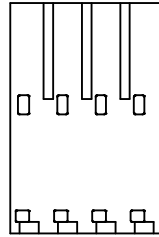
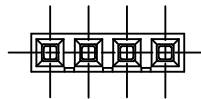
OPTION "D"

ENG. NO.	PLATING	ENG. NO.	PLATING
A-70456-0001-0048	102	AX-70456-0097-0144	102
A-70456-0241-0288	571	AX-70456-0337-0384	571
AX-70456-0481-0528	574	AX-70456-0577-0624	574

PLATING CHART PER ES-88-***:

102 - .000200 MINIMUM ELCTRO-TIN PALTE OVER-ALL
 571 - .000015 MINIMUM GOLD PLATE IN SELECT AREA
 .000075 MINIMUM TIN PLATE IN SELECT AREA
 BOTH OVER NICKEL UNDERPLATE OVERALL
 574 - .000030 MINIMUM GOLD PLATE IN SELECT AREA
 .000075 MINIMUM TIN PLATE IN SELECT AREA
 BOTH OVER NICKEL UNDERPLATE OVERALL

CORE-OUT FOR HOUSING
OPTIONS A & D
CKT. SIZES 2-25
 (FOR CONTROL OF BOW)



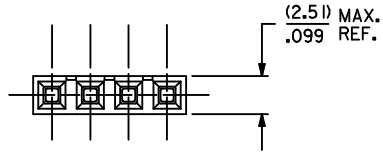
SEE SHEET 1 EC NO: UCP2013-1408 DRWN: TIBARRA 2012/10/10 CHKD: DMORGAN 2012/10/10 APPR: SMILLER 2012/10/25	QUALITY SYMBOLS ▽=0 ▽=0 ▽=0	GENERAL TOLERANCES (UNLESS SPECIFIED)		DIMENSION STYLE MM/IN		SCALE 1:1	DESIGN UNITS INCH	THIRD ANGLE PROJECTION		
		4 PLACES ± --- ± ---	3 PLACES ± --- ± ---	2 PLACES ± --- ± ---	1 PLACE ± --- ± ---	0 PLACE ± --- ± ---	DRAWN BY TIBARRA		DATE 2012/10/10	
		ANGULAR ±1/2°					CHECKED BY DMORGAN		DATE 2012/10/10	
		DRAFT WHERE APPLICABLE MUST REMAIN WITHIN DIMENSIONS					APPROVED BY SMILLER		DATE 2012/10/25	
							MATERIAL NO. SEE TABLE		DOCUMENT NO. SDA-70456-***	

ASSEMBLY, CONNECTOR
 F.F.C. MALE SINGLE ROW
 2.54/.100 GRID W/ VOIDS

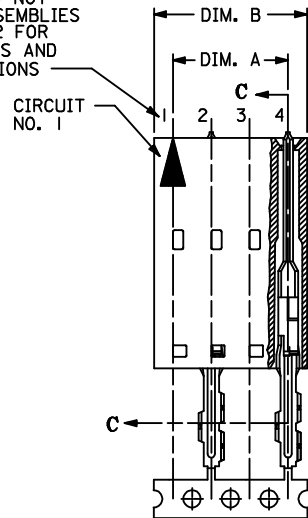


THIS DRAWING CONTAINS INFORMATION THAT IS PROPRIETARY TO MOLEX INCORPORATED AND SHOULD NOT BE USED WITHOUT WRITTEN PERMISSION

"A" - OPTION



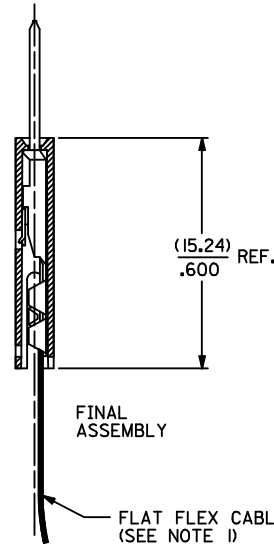
NUMBERS DO NOT APPEAR ON ASSEMBLIES SEE SHEET 2 FOR PART NUMBERS AND VOID LOCATIONS



SECTION C-C



PRE-LOAD ASSEMBLY



FINAL ASSEMBLY

FLAT FLEX CABLE (F.F.C.) (SEE NOTE 1)

NOTES:

- 1) PRE LOADED ASSEMBLY TO BE USED WITH (0.30)/.012 MAXIMUM THICK FLAT FLEX CABLE WITH (1.57)/.062 WIDE COPPER CONDUCTORS ON (2.54)/.100 CENTERS OR, (0.13)/.005 - (0.28)/.011 THICK MYLAR WITH (1.02)/.040 - (1.65)/.065 WIDE SILVER INK CONDUCTORS ON (2.54)/.100 CENTERS.
- 2) STANDARD PACKAGING PER PK-70873-0001 SHALL BE USED.
- 3) SEE CHART FOR CIRCUIT SIZES, "A" AND "B" DIMENSIONS.
- 4) REFER TO PRODUCT SPECIFICATION NO.: PS-70430.
- 5) PARTS STACKABLE SIDE TO SIDE ON (2.54)/.100 CENTERS.

CKT. SIZE	DIMENSIONS	
	A	B
4	(7.62) .300	(10.13) .399
5	(10.16) .400	(12.67) .499
6	(12.70) .500	(15.21) .599
7	(15.24) .600	(17.75) .699
8	(17.78) .700	(20.29) .799
9	(20.32) .800	(22.83) .899
10	(22.86) .900	(25.37) .999
11	(25.40) 1.000	(27.91) 1.099
12	(27.94) 1.100	(30.45) 1.199
13	(30.48) 1.200	(32.99) 1.299
14	(33.02) 1.300	(35.53) 1.399
15	(35.56) 1.400	(38.07) 1.499
16	(38.10) 1.500	(40.61) 1.599
17	(40.64) 1.600	(43.15) 1.699
18	(43.18) 1.700	(45.69) 1.799
19	(45.72) 1.800	(48.23) 1.899
20	(48.26) 1.900	(50.77) 1.999
21	(50.80) 2.000	(53.31) 2.099
22	(53.34) 2.100	(55.85) 2.199
23	(55.88) 2.200	(58.39) 2.299
24	(58.42) 2.300	(60.93) 2.399
25	(60.96) 2.400	(63.47) 2.499

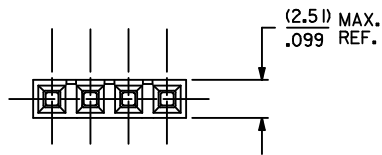
HOUSING MATERIAL: GLASS-FILLED, POLYESTER, 94V-0
 TERMINAL MATERIAL: PHOSPHOR BRONZE
 PLATING:
 .000200 MINIMUM ELECTRO-TIN PLATE
 OVER .000100 MINIMUM COPPER UNDERPLATE OVERALL

UPDATE NOTES EC NO: UCP2013-1408 DRWN: TIBARRA 2012/10/10 CHKD: DMORGAN 2012/10/01 APPR: SMILLER 2012/10/25	QUALITY SYMBOLS ∇=0 ∇=0 ∇=0	GENERAL TOLERANCES (UNLESS SPECIFIED)		DIMENSION STYLE MM/IN		SCALE 1:1	DESIGN UNITS INCH	THIRD ANGLE PROJECTION
		4 PLACES ± --- ± ---	mm	INCH	DRAWN BY	DATE	ASSEMBLY, CONNECTOR F.F.C. MALE SINGLE ROW 2.54/.100 GRID W/ VOIDS molex	
		3 PLACES ± --- ± .010			CHECKED BY	DATE		
		2 PLACES ± 0.25 ± .014			DMORGAN	2012/10/10		
1 PLACE ± 0.35 ± ---			APPROVED BY	DATE				
0 PLACE ± --- ± ---			SMILLER	2012/10/25	MATERIAL NO. SEE TABLE		DOCUMENT NO. SDA-70456-0001-0048	SHEET NO. 1 OF 2
DRAFT WHERE APPLICABLE MUST REMAIN WITHIN DIMENSIONS				SIZE THIS DRAWING CONTAINS INFORMATION THAT IS PROPRIETARY TO MOLEX INCORPORATED AND SHOULD NOT BE USED WITHOUT WRITTEN PERMISSION				

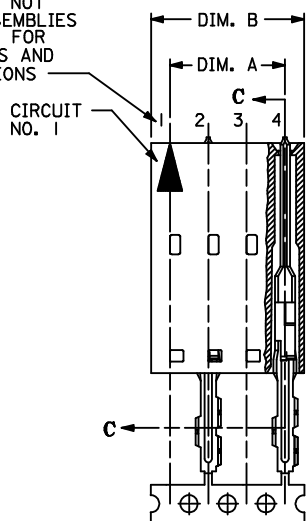
CKT. SIZE	ODD CIRCUIT VOIDS			EVEN CIRCUIT VOIDS		
	EDP NUMBER	ENG NUMBER	VOID LOCATIONS	EDP NUMBER	ENG NUMBER	VOID LOCATIONS
	2	NOT TOOLED	NOT TOOLED	N/A	NOT TOOLED	NOT TOOLED
3	NOT TOOLED	NOT TOOLED	N/A	NOT TOOLED	NOT TOOLED	N/A
4	NOT TOOLED	AX-70456-0003	1,3	NOT TOOLED	AX-70456-0027	2,4
5	015-38-6050	A-70456-0004	1,3,5	NOT TOOLED	AX-70456-0028	2,4
6	NOT TOOLED	AX-70456-0005	1,3,5	NOT TOOLED	AX-70456-0029	2,4,6
7	NOT TOOLED	AX-70456-0006	1,3,5,7	NOT TOOLED	AX-70456-0030	2,4,6
8	NOT TOOLED	AX-70456-0007	1,3,5,7	NOT TOOLED	AX-70456-0031	2,4,6,8
9	NOT TOOLED	AX-70456-0008	1,3,5,7,9	NOT TOOLED	AX-70456-0032	2,4,6,8
10	NOT TOOLED	AX-70456-0009	1,3,5,7,9	NOT TOOLED	AX-70456-0033	2,4,6,8,10
11	NOT TOOLED	AX-70456-0010	1,3,5,7,9,11	NOT TOOLED	AX-70456-0034	2,4,6,8,10
12	NOT TOOLED	AX-70456-0011	1,3,5,7,9,11	NOT TOOLED	AX-70456-0035	2,4,6,8,10,12
13	NOT TOOLED	AX-70456-0012	1,3,5,7,9,11,13	NOT TOOLED	AX-70456-0036	2,4,6,8,10,12
14	NOT TOOLED	AX-70456-0013	1,3,5,7,9,11,13	NOT TOOLED	AX-70456-0037	2,4,6,8,10,12,14
15	NOT TOOLED	AX-70456-0014	1,3,5,7,9,11,13,15	NOT TOOLED	AX-70456-0038	2,4,6,8,10,12,14
16	NOT TOOLED	AX-70456-0015	1,3,5,7,9,11,13,15	NOT TOOLED	AX-70456-0039	2,4,6,8,10,12,14,16
17	NOT TOOLED	AX-70456-0016	1,3,5,7,9,11,13,15,17	NOT TOOLED	AX-70456-0040	2,4,6,8,10,12,14,16
18	NOT TOOLED	AX-70456-0017	1,3,5,7,9,11,13,15,17	NOT TOOLED	AX-70456-0041	2,4,6,8,10,12,14,16,18
19	NOT TOOLED	AX-70456-0018	1,3,5,7,9,11,13,15,17,19	NOT TOOLED	AX-70456-0042	2,4,6,8,10,12,14,16,18
20	NOT TOOLED	AX-70456-0019	1,3,5,7,9,11,13,15,17,19	NOT TOOLED	AX-70456-0043	2,4,6,8,10,12,14,16,18,20
21	NOT TOOLED	AX-70456-0020	1,3,5,7,9,11,13,15,17,19,21	NOT TOOLED	AX-70456-0044	2,4,6,8,10,12,14,16,18,20
22	NOT TOOLED	AX-70456-0021	1,3,5,7,9,11,13,15,17,19,21	NOT TOOLED	AX-70456-0045	2,4,6,8,10,12,14,16,18,20,22
23	NOT TOOLED	AX-70456-0022	1,3,5,7,9,11,13,15,17,19,21,23	NOT TOOLED	AX-70456-0046	2,4,6,8,10,12,14,16,18,20,22
24	NOT TOOLED	AX-70456-0023	1,3,5,7,9,11,13,15,17,19,21,23	NOT TOOLED	AX-70456-0047	2,4,6,8,10,12,14,16,18,20,22,24
25	NOT TOOLED	AX-70456-0024	1,3,5,7,9,11,13,15,17,19,21,23,25	NOT TOOLED	AX-70456-0048	2,4,6,8,10,12,14,16,18,20,22,24

SEE SHEET 1 EC NO: UCP2013-1408 DRWN:TIBARRA 2012/10/10 CHKD:DMORGAN 2012/10/01 APPR:SMILLER 2012/10/25	QUALITY SYMBOLS ▽ = 0 ▽ = 0 ▽ = 0	GENERAL TOLERANCES (UNLESS SPECIFIED)		DIMENSION STYLE MM/IN		SCALE 1:1	DESIGN UNITS INCH	THIRD ANGLE PROJECTION	
		4 PLACES ± --- ± ---		DRAWN BY DATE TIBARRA 2012/10/10		ASSEMBLY, CONNECTOR F.F.C. MALE SINGLE ROW 2.54/.100 GRID W/ VOIDS molex			
		3 PLACES ± --- ± .010		CHECKED BY DATE DMORGAN 2012/10/10					
		2 PLACES ± 0.25 ± .014		APPROVED BY DATE SMILLER 2012/10/25		MATERIAL NO. SEE TABLE		DOCUMENT NO. SDA-70456-0001-0048	
1 PLACE ± 0.35 ± ---		ANGULAR ±1/2°		DRAFT WHERE APPLICABLE MUST REMAIN WITHIN DIMENSIONS		THIS DRAWING CONTAINS INFORMATION THAT IS PROPRIETARY TO MOLEX INCORPORATED AND SHOULD NOT BE USED WITHOUT WRITTEN PERMISSION			
0 PLACE ± --- ± ---									

"A" - OPTION



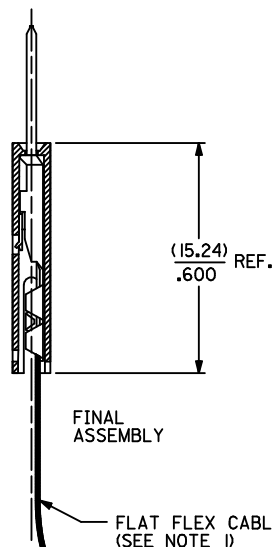
NUMBERS DO NOT APPEAR ON ASSEMBLIES SEE SHEET 2 FOR PART NUMBERS AND VOID LOCATIONS



SECTION C-C



PRE-LOAD ASSEMBLY



FINAL ASSEMBLY

FLAT FLEX CABLE (F.F.C.) (SEE NOTE 1)

NOTES:

- 1) PRE LOADED ASSEMBLY TO BE USED WITH (0.30)/.012 MAXIMUM THICK FLAT FLEX CABLE WITH (1.57)/.062 WIDE COPPER CONDUCTORS ON (2.54)/.100 CENTERS OR, (0.13)/.005 - (0.28)/.011 THICK MYLAR WITH (1.02)/.040 - (1.65)/.065 WIDE SILVER INK CONDUCTORS ON (2.54)/.100 CENTERS.
- 2) STANDARD PACKAGING PER PK-70873-0001 SHALL BE USED.
- 3) SEE CHART FOR CIRCUIT SIZES, "A" AND "B" DIMENSIONS.
- 4) REFER TO PRODUCT SPECIFICATION NO.: PS-70430.
- 5) PARTS STACKABLE SIDE TO SIDE ON (2.54)/.100 CENTERS.

CKT. SIZE	DIMENSIONS	
	A	B
4	(7.62) .300	(10.13) .399
5	(10.16) .400	(12.67) .499
6	(12.70) .500	(15.21) .599
7	(15.24) .600	(17.75) .699
8	(17.78) .700	(20.29) .799
9	(20.32) .800	(22.83) .899
10	(22.86) .900	(25.37) .999
11	(25.40) 1.000	(27.91) 1.099
12	(27.94) 1.100	(30.45) 1.199
13	(30.48) 1.200	(32.99) 1.299
14	(33.02) 1.300	(35.53) 1.399
15	(35.56) 1.400	(38.07) 1.499
16	(38.10) 1.500	(40.61) 1.599
17	(40.64) 1.600	(43.15) 1.699
18	(43.18) 1.700	(45.69) 1.799
19	(45.72) 1.800	(48.23) 1.899
20	(48.26) 1.900	(50.77) 1.999
21	(50.80) 2.000	(53.31) 2.099
22	(53.34) 2.100	(55.85) 2.199
23	(55.88) 2.200	(58.39) 2.299
24	(58.42) 2.300	(60.93) 2.399
25	(60.96) 2.400	(63.47) 2.499

HOUSING MATERIAL: GLASS-FILLED, POLYESTER, 94V-0
 TERMINAL MATERIAL: PHOSPHOR BRONZE
 PLATING:
 .000015 MINIMUM GOLD PLATE IN SELECT AREA
 .000075 MINIMUM TIN PLATE IN SELECT AREA
 BOTH OVER NICKEL UNDERPLATE OVERALL

UPDT NOTES EC NO: UCP2013-1408 DRWNG: IBARRA 2012/10/10 CHKD: DMORGAN 2012/10/10 APPR: SMILLER 2012/10/25	QUALITY SYMBOLS ∇=0 ∇=0 ∇=0	GENERAL TOLERANCES (UNLESS SPECIFIED)		DIMENSION STYLE MM/IN		SCALE 1:1	DESIGN UNITS INCH	THIRD ANGLE PROJECTION
		4 PLACES ± --- ± ---	mm	INCH	DRAWN BY TIBARRA	DATE 2012/10/10	ASSEMBLY, CONNECTOR F.F.C. MALE SINGLE ROW 2.54/.100 GRID W/ VOIDS molex	
		3 PLACES ± --- ± .010			CHECKED BY DMORGAN	DATE 2012/10/10		
		2 PLACES ± 0.25 ± .014			APPROVED BY SMILLER	DATE 2012/10/25		
1 PLACE ± 0.35 ± ---								
		0 PLACE ± --- ± ---	ANGULAR ±1/2°		MATERIAL NO. SEE TABLE		DOCUMENT NO. SDA-70456-0241-0288	SHEET NO. 1 OF 2
		DRAFT WHERE APPLICABLE MUST REMAIN WITHIN DIMENSIONS		SIZE THIS DRAWING CONTAINS INFORMATION THAT IS PROPRIETARY TO MOLEX INCORPORATED AND SHOULD NOT BE USED WITHOUT WRITTEN PERMISSION				

CKT. SIZE	ODD CIRCUIT VOIDS			EVEN CIRCUIT VOIDS		
	EDP NUMBER	ENG NUMBER	VOID LOCATIONS	EDP NUMBER	ENG NUMBER	VOID LOCATIONS
	2	NOT TOOLED	NOT TOOLED	N/A	NOT TOOLED	NOT TOOLED
3	NOT TOOLED	NOT TOOLED	N/A	NOT TOOLED	NOT TOOLED	N/A
4	NOT TOOLED	AX-70456-0243	1,3	NOT TOOLED	AX-70456-0267	2,4
5	015-38-6051	A-70456-0244	1,3,5	NOT TOOLED	AX-70456-0268	2,4
6	NOT TOOLED	AX-70456-0245	1,3,5	NOT TOOLED	AX-70456-0269	2,4,6
7	NOT TOOLED	AX-70456-0246	1,3,5,7	NOT TOOLED	AX-70456-0270	2,4,6
8	NOT TOOLED	AX-70456-0247	1,3,5,7	NOT TOOLED	AX-70456-0271	2,4,6,8
9	NOT TOOLED	AX-70456-0248	1,3,5,7,9	NOT TOOLED	AX-70456-0272	2,4,6,8
10	NOT TOOLED	AX-70456-0249	1,3,5,7,9	NOT TOOLED	AX-70456-0273	2,4,6,8,10
11	NOT TOOLED	AX-70456-0250	1,3,5,7,9,11	NOT TOOLED	AX-70456-0274	2,4,6,8,10
12	NOT TOOLED	AX-70456-0251	1,3,5,7,9,11	NOT TOOLED	AX-70456-0275	2,4,6,8,10,12
13	NOT TOOLED	AX-70456-0252	1,3,5,7,9,11,13	NOT TOOLED	AX-70456-0276	2,4,6,8,10,12
14	NOT TOOLED	AX-70456-0253	1,3,5,7,9,11,13	NOT TOOLED	AX-70456-0277	2,4,6,8,10,12,14
15	NOT TOOLED	AX-70456-0254	1,3,5,7,9,11,13,15	NOT TOOLED	AX-70456-0278	2,4,6,8,10,12,14
16	NOT TOOLED	AX-70456-0255	1,3,5,7,9,11,13,15	NOT TOOLED	AX-70456-0279	2,4,6,8,10,12,14,16
17	NOT TOOLED	AX-70456-0256	1,3,5,7,9,11,13,15,17	NOT TOOLED	AX-70456-0280	2,4,6,8,10,12,14,16
18	NOT TOOLED	AX-70456-0257	1,3,5,7,9,11,13,15,17	NOT TOOLED	AX-70456-0281	2,4,6,8,10,12,14,16,18
19	NOT TOOLED	AX-70456-0258	1,3,5,7,9,11,13,15,17,19	NOT TOOLED	AX-70456-0282	2,4,6,8,10,12,14,16,18
20	NOT TOOLED	AX-70456-0259	1,3,5,7,9,11,13,15,17,19	NOT TOOLED	AX-70456-0283	2,4,6,8,10,12,14,16,18,20
21	NOT TOOLED	AX-70456-0260	1,3,5,7,9,11,13,15,17,19,21	NOT TOOLED	AX-70456-0284	2,4,6,8,10,12,14,16,18,20
22	NOT TOOLED	AX-70456-0261	1,3,5,7,9,11,13,15,17,19,21	NOT TOOLED	AX-70456-0285	2,4,6,8,10,12,14,16,18,20,22
23	NOT TOOLED	AX-70456-0262	1,3,5,7,9,11,13,15,17,19,21,23	NOT TOOLED	AX-70456-0286	2,4,6,8,10,12,14,16,18,20,22
24	NOT TOOLED	AX-70456-0263	1,3,5,7,9,11,13,15,17,19,21,23	NOT TOOLED	AX-70456-0287	2,4,6,8,10,12,14,16,18,20,22,24
25	NOT TOOLED	AX-70456-0264	1,3,5,7,9,11,13,15,17,19,21,23,25	NOT TOOLED	AX-70456-0288	2,4,6,8,10,12,14,16,18,20,22,24

SEE SHEET 1 EC NO: UCP2013-1408 DRWN: TIBARRA 2012/10/10 CHKD: DMORGAN 2012/10/10 APPR: SMILLER 2012/10/25	QUALITY SYMBOLS 	GENERAL TOLERANCES (UNLESS SPECIFIED)		DIMENSION STYLE	SCALE	DESIGN UNITS	THIRD ANGLE PROJECTION	
				MM/IN	1:1	INCH		
				DRAWN BY DATE	TITLE			
				CHECKED BY DATE	ASSEMBLY, CONNECTOR			
		APPROVED BY DATE	F.F.C. MALE SINGLE ROW					
			2.54/.100 GRID W/ VOIDS					
			molex					
			ANGULAR ±1/2°		DOCUMENT NO.		SHEET NO.	
			DRAFT WHERE APPLICABLE MUST REMAIN WITHIN DIMENSIONS		SDA-70456-0241-0288		2 OF 2	
			THIS DRAWING CONTAINS INFORMATION THAT IS PROPRIETARY TO MOLEX. INCORPORATED AND SHOULD NOT BE USED WITHOUT WRITTEN PERMISSION					