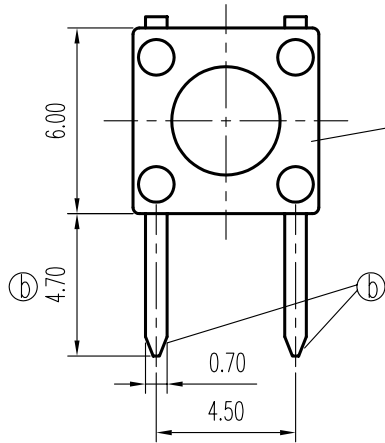
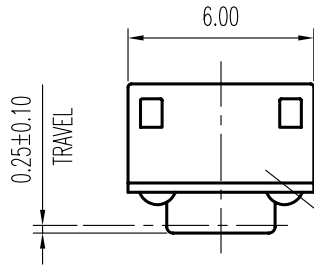


附表

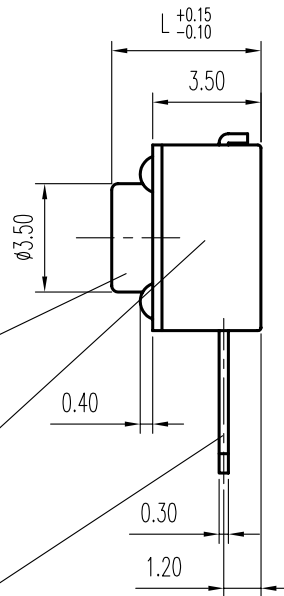
ⓑ

	FORCE (gf)	KNOB COLOUR	OPERATING LIFE WITH LOAD
H	100 ±30	WHITE	100,000 Cycles
0	130 ±30	GREY	
1	160 ±30	BLACK	
3	250 ±50	IVORY	50,000 Cycles

L	
A	4.3
B	5
C	7
D	9.5
E	8
F	7.3
G	13.5
H	12.5



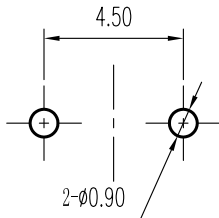
- ①
- ②
- ③
- ④
- ⑤



1P - 1T



示意图 SCHEMATIC



安装孔 PIERCING PLAN

规格 Specifications

额定负荷 Rdtngs	DC 12_V 50_mA
初期接触电阻 Initial Contact Resistance	100_mΩ Max.
绝缘电阻 Insulation Resistance	DC100_V 60_Sec. 100_MΩ Min.
抗电强度 Dielectric Voltage	AC 250_V (50~60HZ) 60_Sec.
② 操作力 Operating Force	见上附表
② 负荷寿命 Operating Life With Load	见上附表 ②

序NO.	零件 PART	材料 MATERIAL	数量 QTY	备注 REMARKS	DWG NO.	ITEM1706	
5	端子 TERMINAL	C2680R	2	Ag PLATED			
4	弹片 SPRING PLATE	C5210R	1	Ag CLAD	A02	修改内容详见 ②	王小东 06-07-31
3	胶柄 KNOB	PBT	1	见上表	A01	增加规格栏见 ③	曹文斌 06-03-21
2	盖片 COVER	POLY FILM	1	NATURAL	02		李坤 03/10/2
1	胶壳 HOUSING	PBT	1	BLACK C	标号 REV	内容 DESCRIPTION	签名 SIGN. 日期 DATE

TOLERANCES UNLESS OTHERWISE SPEC.		TITLE	TACT SWITCHES		ITEM NO	RS-222R	
UNDER 1	± 0.10	DRAWN	王小东	06-07-31	VERSION	A02	PAGE 1 OF 1
1 - 10	± 0.30	REVIEWED	张念明	06-08-01	SCALE		UNIT mm
OVER 10	± 0.50	APPROVED	刘瑞富	06-08-01	PROJECTION		

**COMAX** ELECTRONICS (HUIZHOU) CO.,LTD.