

DRAWING MADE IN THIRD ANGLE PROJECTION

3

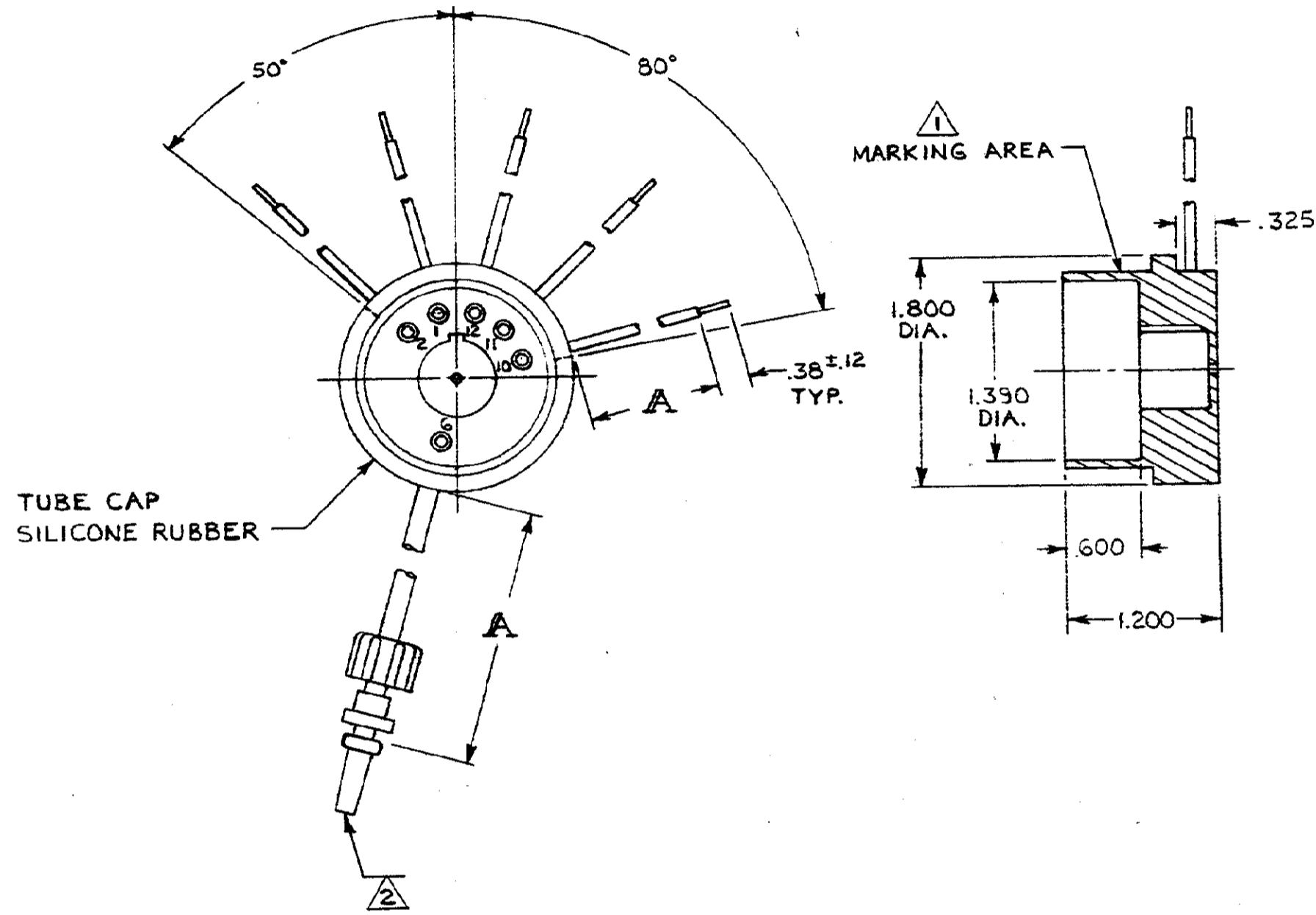
2

1

LOC L 37

THIS DRAWING IS UNPUBLISHED. RELEASED FOR PUBLICATION . 19 .  
 © COPYRIGHT 19 BY AMP INCORPORATED, HARRISBURG, PA. ALL INTERNATIONAL RIGHTS RESERVED. AMP PRODUCTS MAY BE COVERED BY U.S. AND FOREIGN PATENTS AND/OR PATENTS PENDING.

REVISIONS					
P	F	ZONE/LTR	DESCRIPTION	DATE	APPROVED
/		O	RELEASE.	RPH	<i>[Signature]</i>



△ AMP P/N, DATE CODE AND CUSTOMER P/N, 875587-1, MARKED ON APPROX. AREA SHOWN.

△ TO MATE WITH AMP LGH 1/2 RECEPTACLE WITH .53 BARREL DEPTH.

SOCKET NO.	A	LEAD COLOR
1	27.00±.50	BROWN
2	24.00±.50	GREEN
6	10.00±.50	WHITE
10	24.00±.50	ORANGE
11	24.00±.50	YELLOW
12	27.00±.50	BROWN

UNLESS OTHERWISE SPECIFIED DIMENSIONS ARE IN INCHES. TOLERANCES ON: DECIMALS ±.015 ANGLES ±1°		CONTRACT NO.		AS SHOWN		868014-1	
MATERIAL		DR <i>R.B. Hooper</i> 5-3-84		DESCRIPTION		PART NO	
FINISH		CHK		NAME		AMP INCORPORATED Harrisburg, Pa. 17105	
		APPD <i>W.D. Beckman</i> 5/11/84		TUBE BASE 12 POSITION			
		APPD		SIZE C		FSCM NO 00779	
		DSGN APPD		DRAWING NO		868014	
		OTHER APPD		SCALE NTS		SHEET 1/1	

CUSTOMER DRAWING