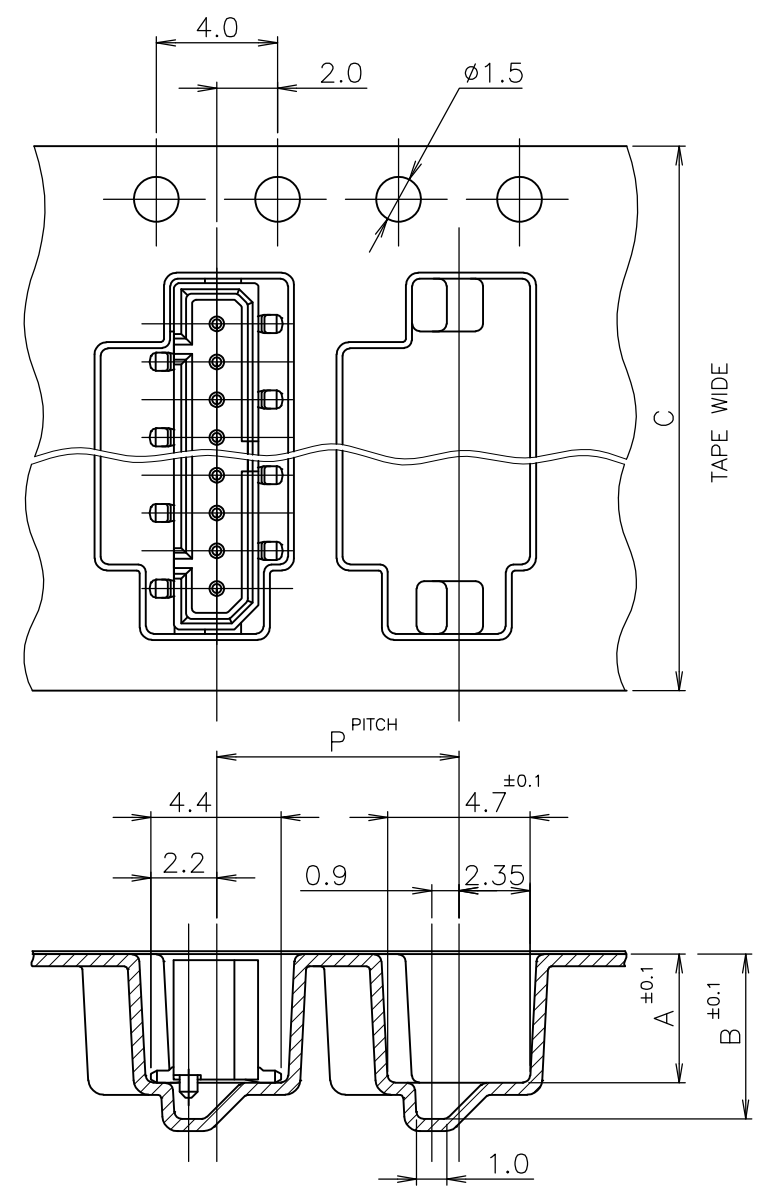
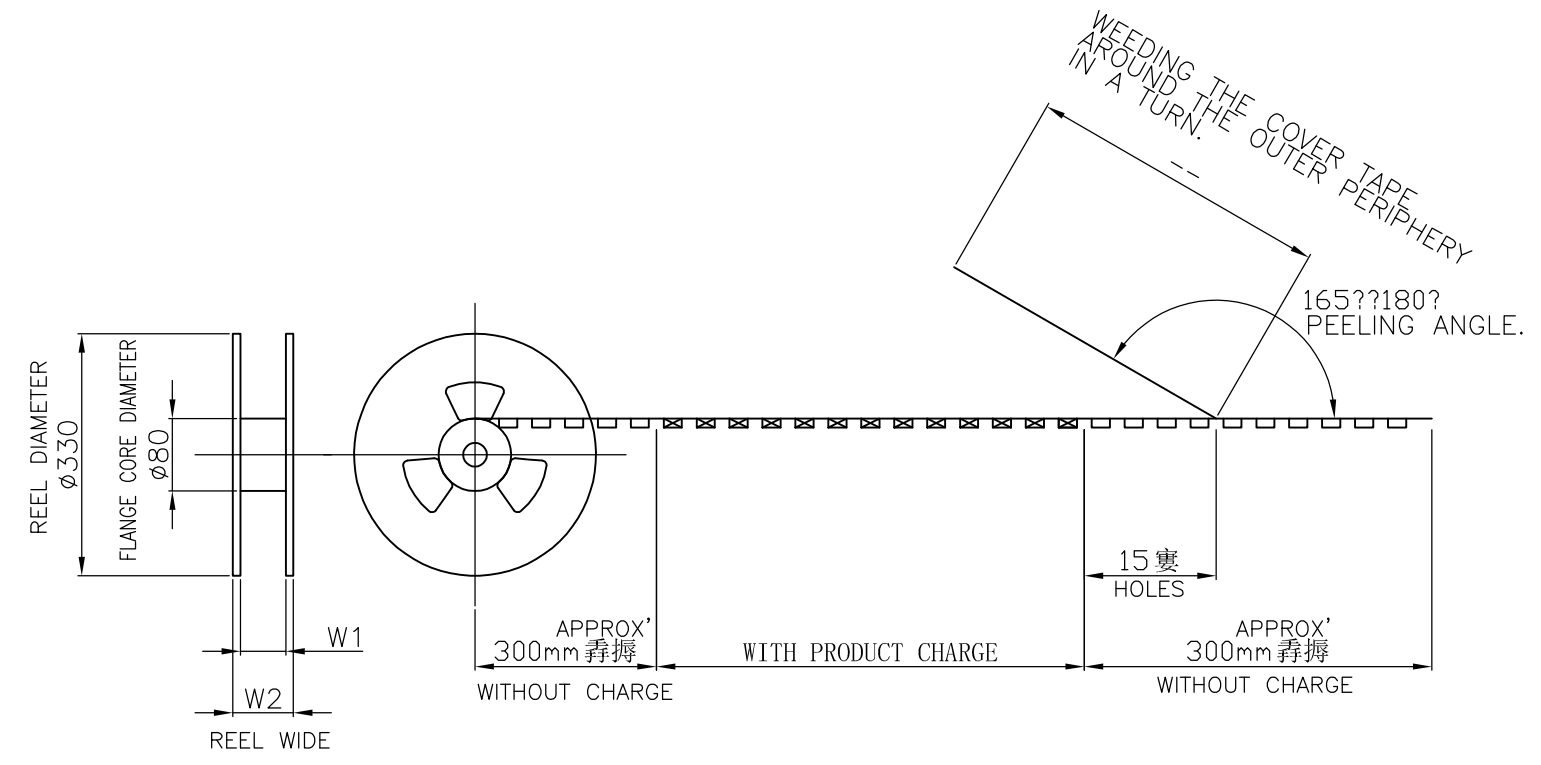


THIS DRAWING IS UNPUBLISHED. RELEASED FOR PUBLICATION
 © COPYRIGHT - By - ALL RIGHTS RESERVED.

LOC	DIST	REVISIONS					
J	-	P	LTR	DESCRIPTION	DATE	DWN	APVD
		B1		ADD POLYAMIDE P/Ns	12MAR2014	I.T	W.H



TOP OF REEL
 →



NOTES;
 △ GENERAL TOLERANCE
 10 ≥ : ±0.2
 30 ≥ >10 : ±0.25
 100 ≥ >30 : ±0.3
 ANGLES : ±3°

29	26	300	8	24	5.45	4.25	1500	10	1533590-1	4-174820-0	4-179016-0
29	26	300	8	24	5.45	4.25	1500	8	4-912057-3	3-174820-8	3-179016-8
21	18	300	8	16	5.45	4.25	1500	6	623275-1	3-174820-6	3-179016-6
W ₂	W ₁	M	P	C	B	A	QTY/REEL	Pos.	EMBOSS TAPE P/N	CONNECTOR P/N	TAPING P/N

THIS DRAWING IS A CONTROLLED DOCUMENT.		DWN K.SHIMIZU 22JUL93	 TE Connectivity											
DIMENSIONS: mm		CHK J.TANIGAWA 22JUL93												
TOLERANCES UNLESS OTHERWISE SPECIFIED:		APVD S.KUBOUCHI 28JAN94												
<table border="1"> <tr><td>0 PLC</td><td>±</td></tr> <tr><td>1 PLC</td><td>±</td></tr> <tr><td>2 PLC</td><td>±</td></tr> <tr><td>3 PLC</td><td>±</td></tr> <tr><td>4 PLC</td><td>±</td></tr> <tr><td>ANGLES</td><td>±</td></tr> </table>		0 PLC		±	1 PLC	±	2 PLC	±	3 PLC	±	4 PLC	±	ANGLES	±
0 PLC	±													
1 PLC	±													
2 PLC	±													
3 PLC	±													
4 PLC	±													
ANGLES	±													
MATERIAL		PRODUCT SPEC	1.25 F-P CONNECTOR B-TO-B ON TAPING (EMBOSS) SINGLE ROW POST HDR ASS'Y SMT TYPE WITH BOSS											
		APPLICATION SPEC	SIZE CAGE CODE DRAWING NO RESTRICTED TO											
		WEIGHT	A3 00779 C-179016											
CUSTOMER DRAWING			SCALE NON SHEET 1 OF 2 REV B1											

THIS DRAWING IS UNPUBLISHED. RELEASED FOR PUBLICATION
 © COPYRIGHT - By - ALL RIGHTS RESERVED.

LOC	DIST	REVISIONS			
P	LTR	DESCRIPTION	DATE	DWN	APVD
J	-	SEE SHEET 1	-	-	-

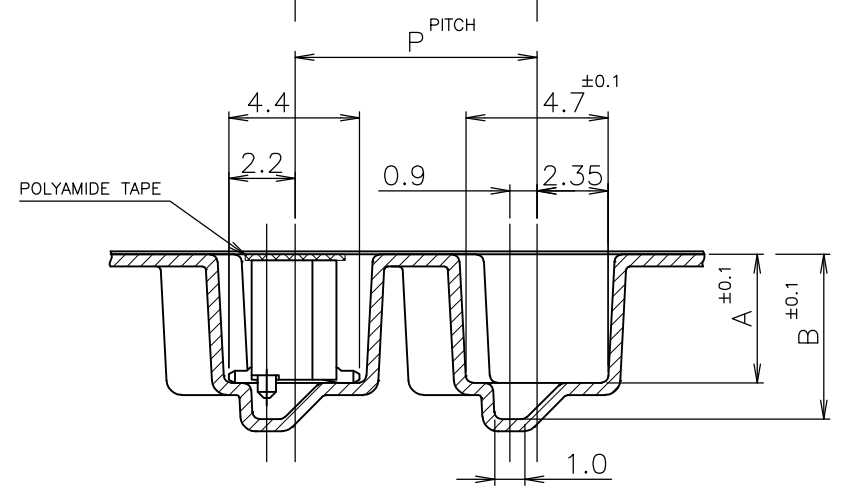
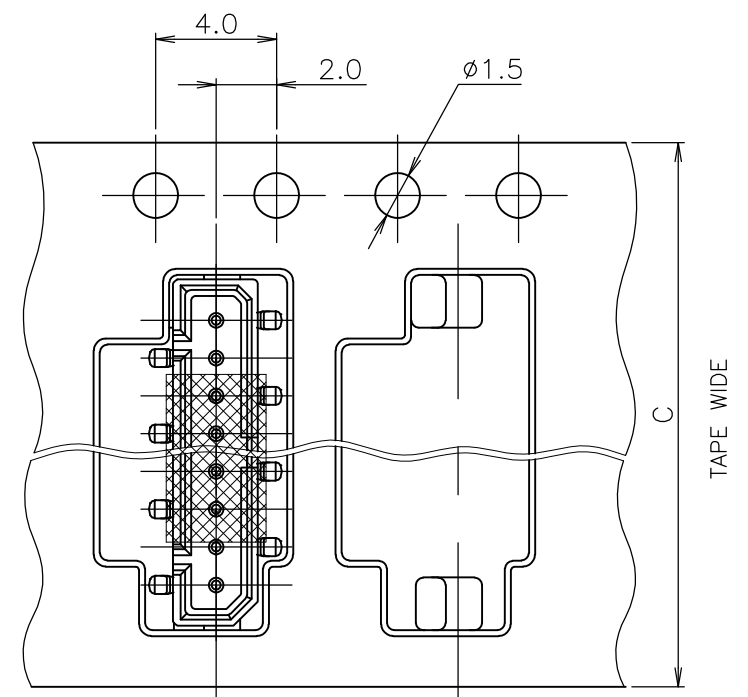
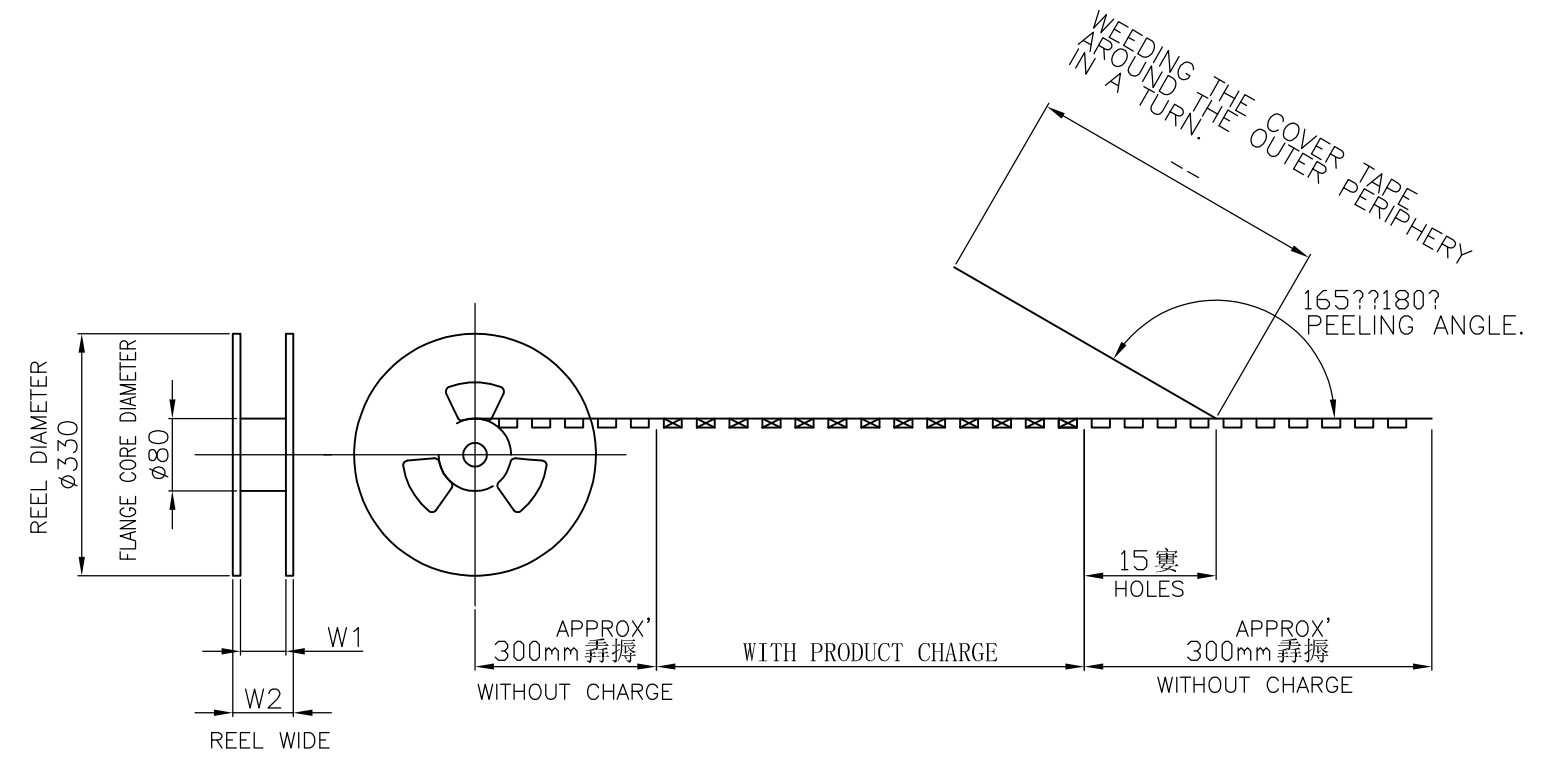


Fig-2

WITH POLYAMIDE TAPE



NOTES;
 ⚠ GENERAL TOLERANCE
 10 ≥ : ±0.2
 30 ≥ >10 : ±0.25
 100 ≥ >30 : ±0.3
 ANGLES : ±3°

29	24	300	8	24	5.45	4.25	1500	10	1533590-1	4-174820-0	6-179016-0
29	26	300	8	24	5.45	4.25	1500	8	4-912057-3	3-174820-8	5-179016-8
21	18	300	8	16	5.45	4.25	1500	6	623275-1	3-174820-6	5-179016-6
21	18	300	8	16	5.45	4.25	1500	5	/	3-174820-5	5-179016-5
W ₂	W ₁	M	P	C	B	A	QTY/REEL	Pos.	EMBOSS TAPE P/N	CONNECTOR P/N	TAPING P/N

THIS DRAWING IS A CONTROLLED DOCUMENT.		DWN K.SHIMIZU 22JUL93	STE TE Connectivity	
DIMENSIONS: mm		CHK J.TANIGAWA 22JUL93		
TOLERANCES UNLESS OTHERWISE SPECIFIED: ⚠		APVD S.KUBOUCHI 28JAN94	NAME	
0 PLC ±		PRODUCT SPEC		1.25 F-P CONNECTOR B-TO-B ON TAPING (EMBOSS) SINGLE ROW POST HDR ASS'Y SMT TYPE WITH BOSS
1 PLC ±		APPLICATION SPEC		
2 PLC ±		WEIGHT		SIZE
3 PLC ±		CUSTOMER DRAWING		CAGE CODE
4 PLC ±		SCALE		DRAWING NO
ANGLES ±		NON		A300779
FINISH		SHEET		C-179016
		2 OF 2		RESTRICTED TO
		REV		B1