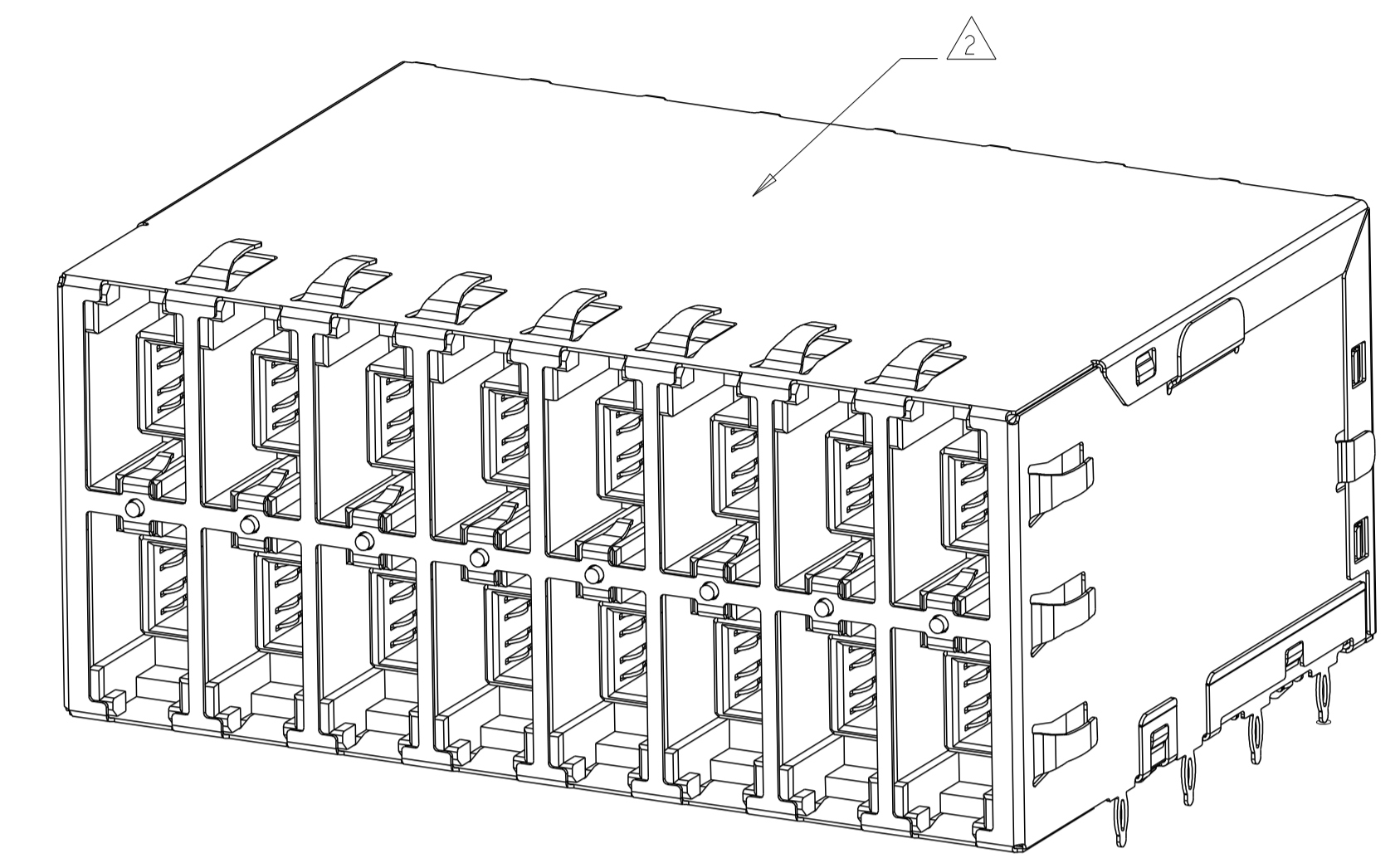
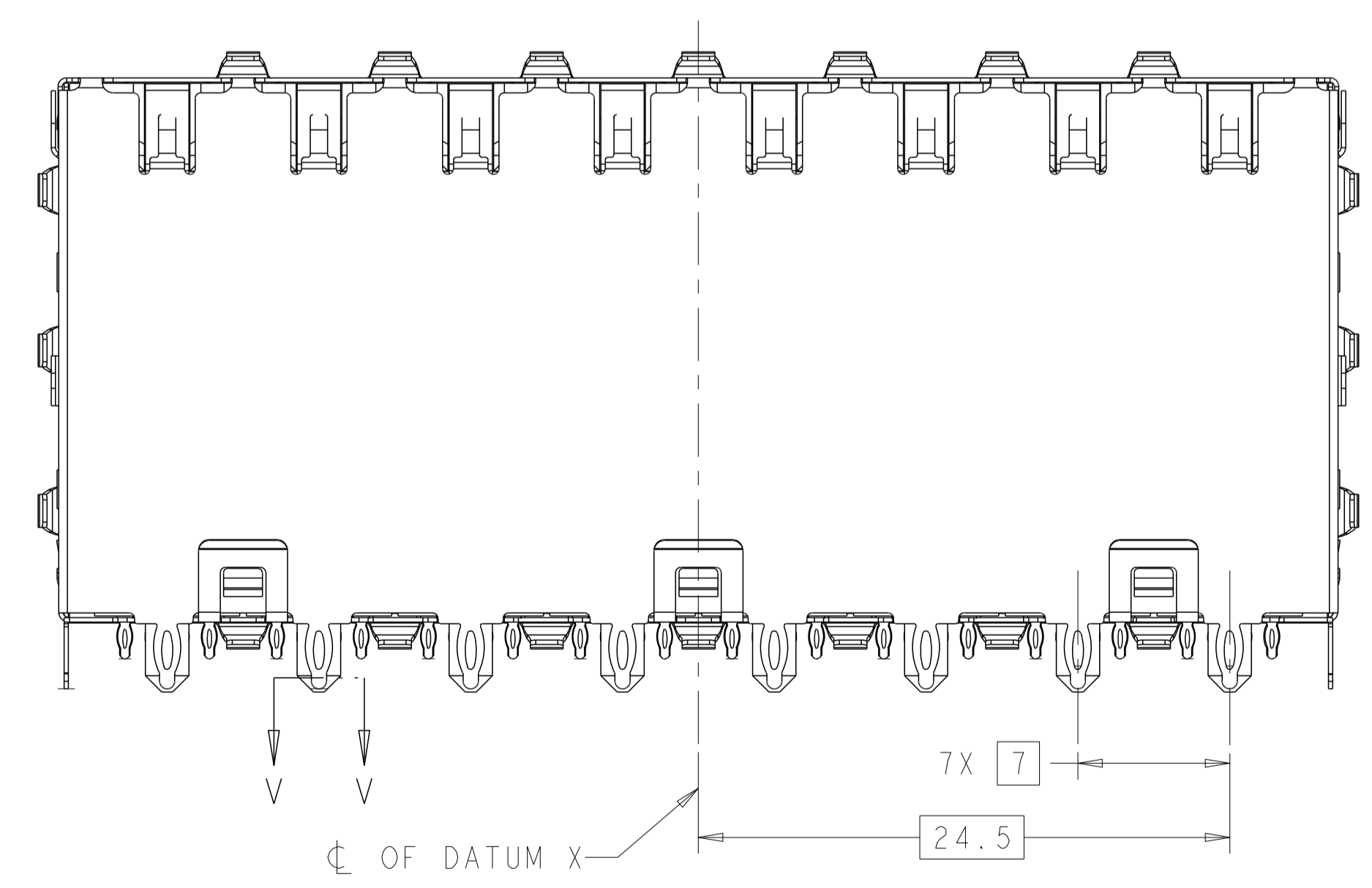
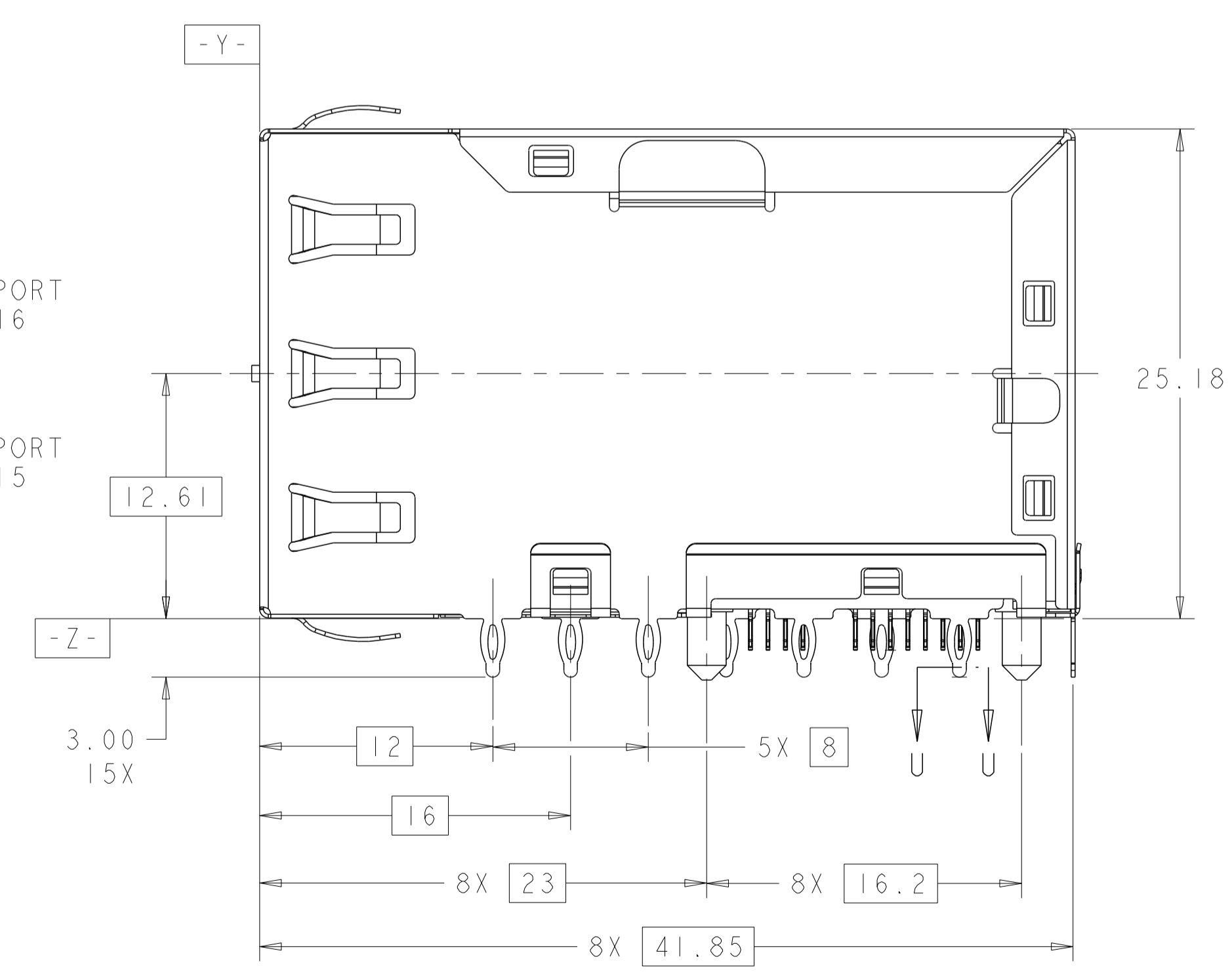
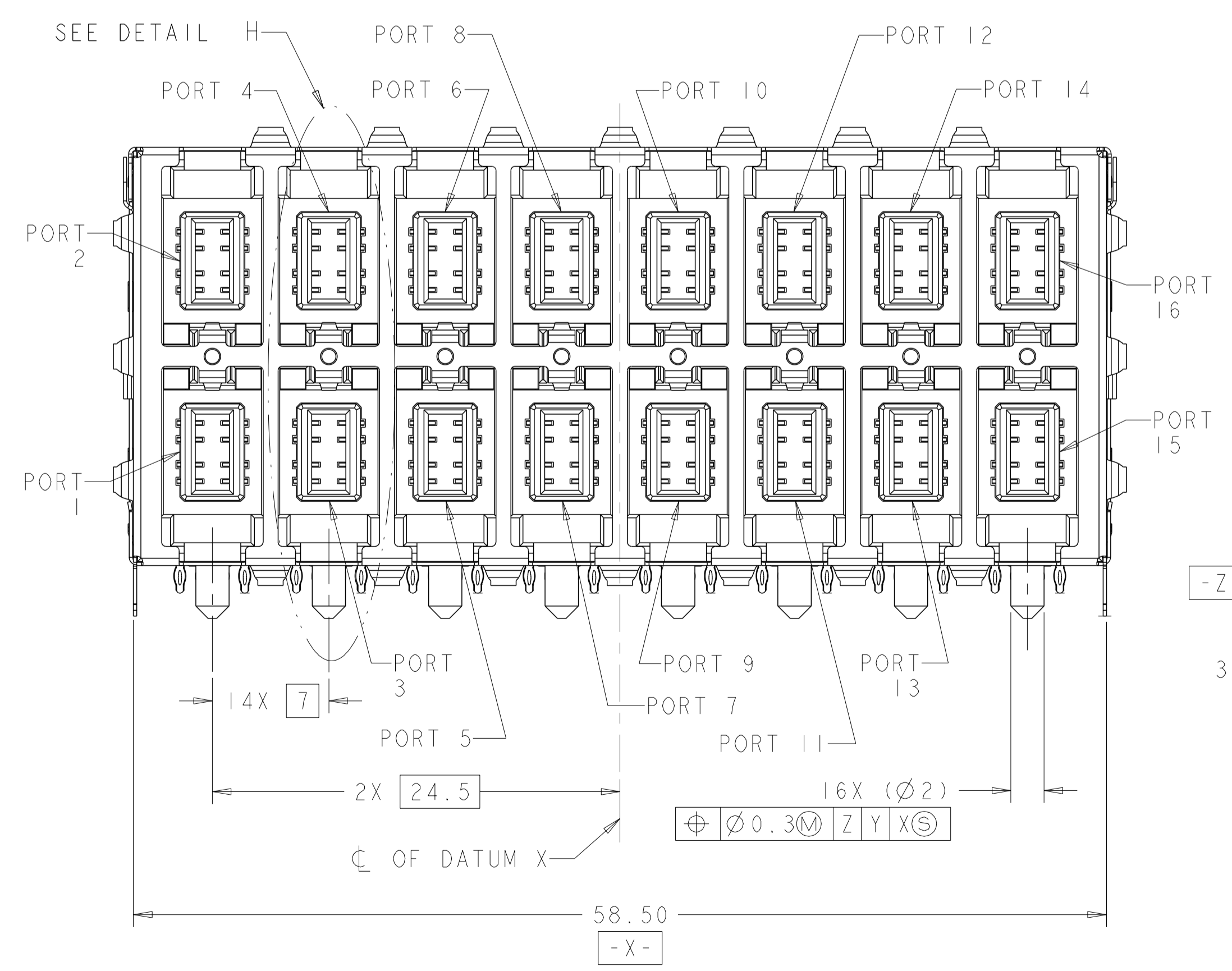
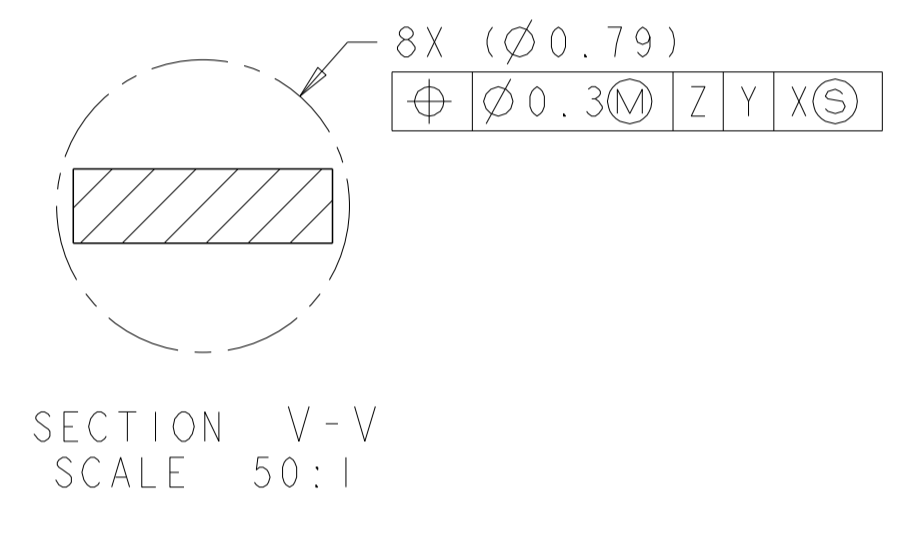
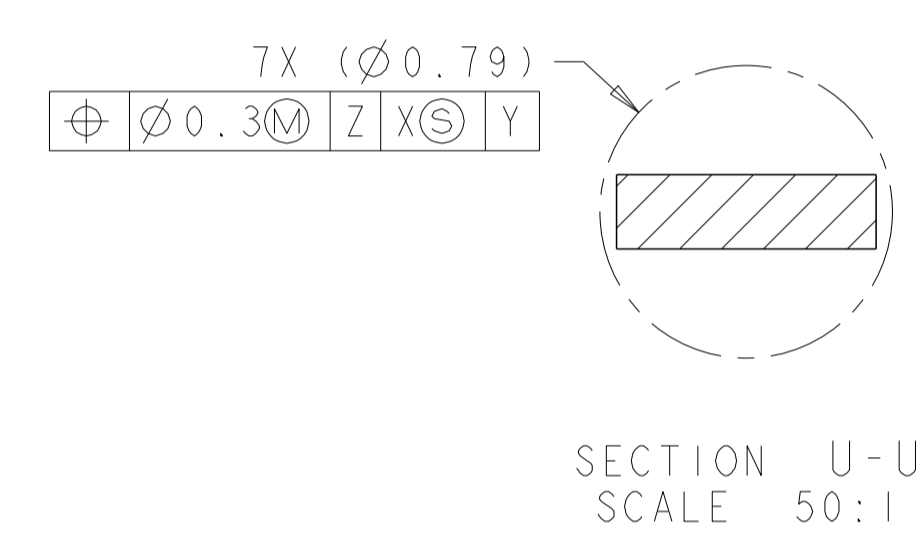


LOC		DIST		REVISIONS				
P	LTR	DESCRIPTION	DATE	OWN	APVD			
A		CHANGE PART STATUS TO ACTIVE EC-1003034	20JUL2010	TR	KZ			
B		ECO-12-013650	12OCT2012	GZ	KZ			
C		ECO-13-001347	25JAN2013	GZ	KZ			

- MATERIAL:
 HOUSING: BLACK, THERMOPLASTIC, RATED UL 94V-0.
 SHIELD: COPPER ALLOY WITH NICKEL PLATING.
 CONTACTS: PHOSPHOR BRONZE.
 CONTACT PLATING: 0.05µm MIN GOLD OVER
 0.76µm MIN PALLADIUM-NICKEL, AT MATING
 INTERFACE CONTACT AREA.
- TE LOGO, PART NUMBER, DATE CODE AND
 COUNTRY OF ORIGIN, SHOWN APPROXIMATE AREA.
- LED IS DRIVEN WITH CURRENT AT APPROX 20 mA
 DOMINANT WAVELENGTH (λD): GREEN 573 nm TYP AT IF=20mA
 FORWARD VOLTAGE (VF): GREEN 2.0V TYP at IF=20mA
 DOMINANT WAVELENGTH (λD): RED 624 nm TYP AT IF=20mA
 FORWARD VOLTAGE (VF): RED 2.0V TYP at IF=20mA
 DOMINANT WAVELENGTH (λD): YELLOW 589 nm TYP AT IF=20mA
 FORWARD VOLTAGE (VF): YELLOW 2.0V TYP at IF=20mA
- RECOMMENDED MIN PCB THICKNESS 1.5mm (.062").
- DATUM AND BASIC DIMENSION ESTABLISHED BY CUSTOMER.
- FOR HOLE SIZE AND PLATINGS, SEE SHEET 4.
- APPLICATION 10/100/1000 BASE-T
 -IMPEDANCE 100 OHMS
 -PERFORMANCE:
 ALL PAIRS ARE BI-DIRECTIONAL
 TIA-568-C.2 CATEGORY 5E COMPLIANT
 INSERTION LOSS:
 1≤F≤6.3MHZ = .01dB (MAX)
 6.3≤F≤100MHZ = .04X SQRT(F)dB (MAX)
 RETURN LOSS:
 1≤F≤31.5MHZ = 30dB (MIN)
 31.5≤F≤100MHZ = 20-(20XLOG(F/100))dB (MIN)
 NEXT LOSS:
 1≤F<7.9MHZ = 65dB (MIN)
 7.9≤F≤100MHZ = 43-(20XLOG(F/100))dB (MIN)
 NEXT LOSS:
 1≤F≤3.2MHZ = 65dB (MIN)
 3.2≤F≤100MHZ = 35.1-(20XLOG(F/100))dB (MAX)
 -ISOLATION VOLTAGE: 2250VDC(MAX) FOR 60 SECONDS WITH
 A RISE TIME OF 500V/SEC.



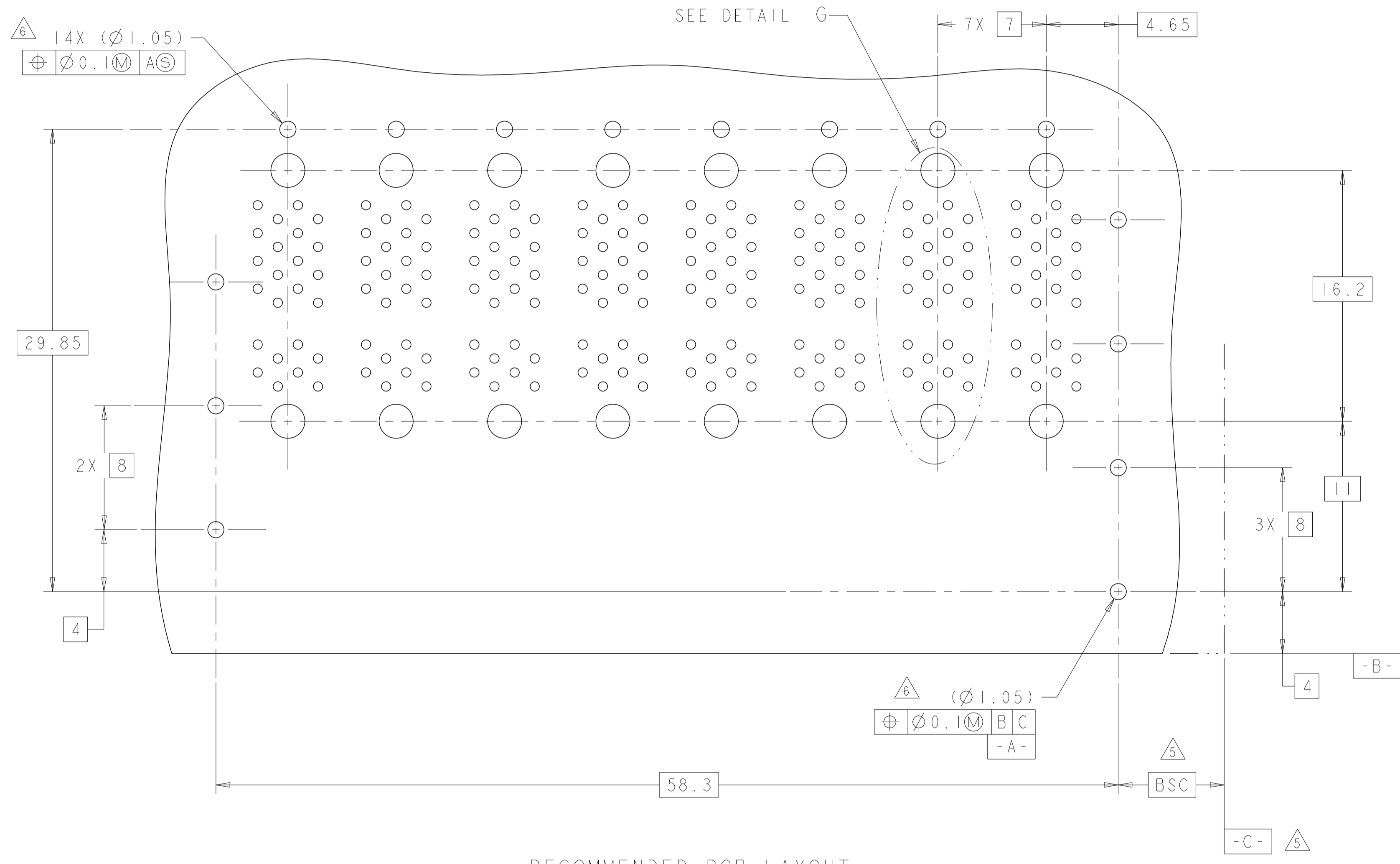
SCALE 3:1



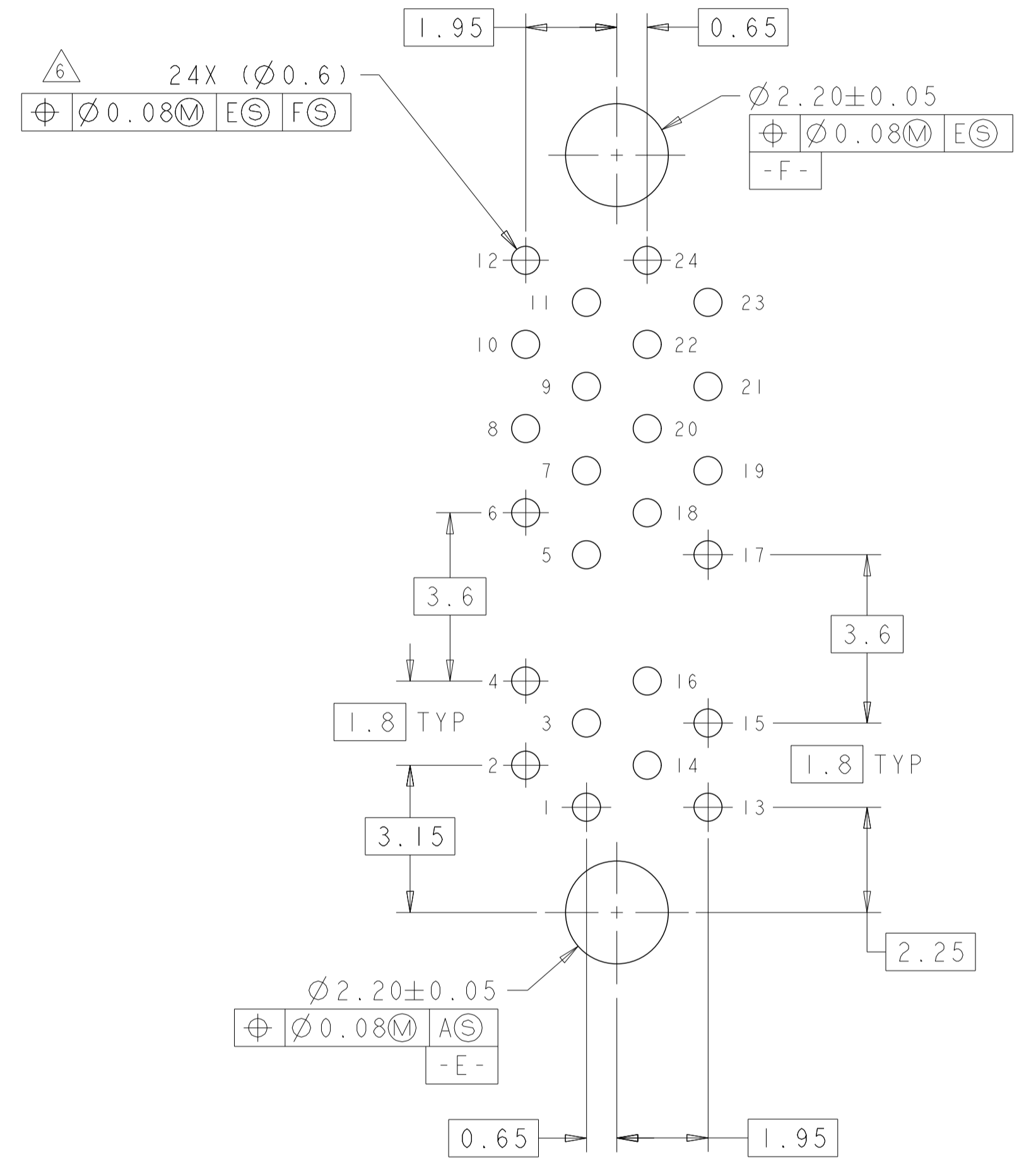
YELLOW/GREEN BI-COLORS	2057133-2
RED/GREEN BI-COLORS	2057133-1
LED COLORS	PART NO

THIS DRAWING IS A CONTROLLED DOCUMENT.		DWN M. SHIRK 09APR2008	TE Connectivity RECEPTACLE ASSEMBLY, 2X8, NON MAGNETICS, RJ POINT FIVE
DIMENSIONS: mm		CHEW B. HENRY 09APR2008	
TOLERANCES UNLESS OTHERWISE SPECIFIED:		APVD B. HENRY 09APR2008	
0 PLC ± 1 PLC ± 2 PLC ±0.25 3 PLC ± 4 PLC ± ANGLES ±° FINISH ±		NAME 108-2341 PRODUCT SPEC APPLICATION SPEC SIZE CAGE CODE DRAWING NO. RESTRICTED TO A 100779 ©=2057133 CUSTOMER DRAWING SCALE 4:1 SHEET 1 OF 5 REV C	

LOC		DIST		REVISIONS				
P	LTR	DESCRIPTION	DATE	DWN	APVD			
-	-	SEE SHEET 1	-	-	-			



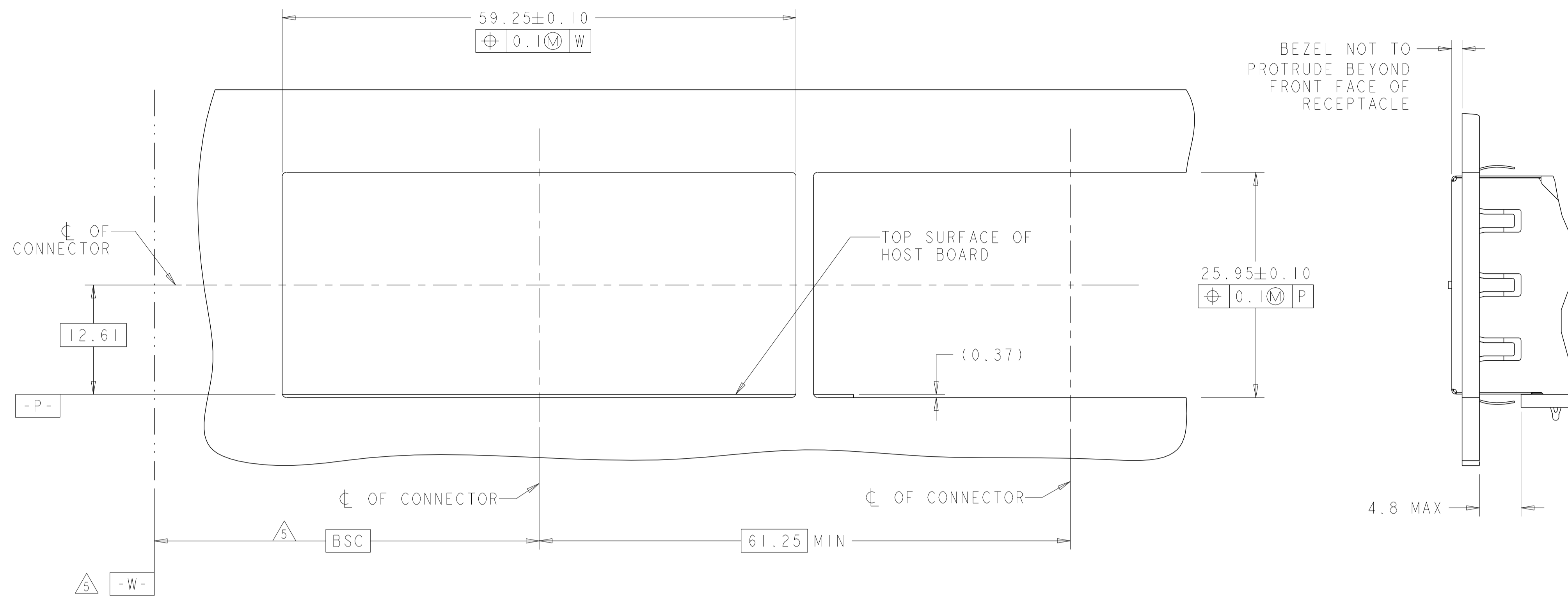
RECOMMENDED PCB LAYOUT
 SCALE 5:1



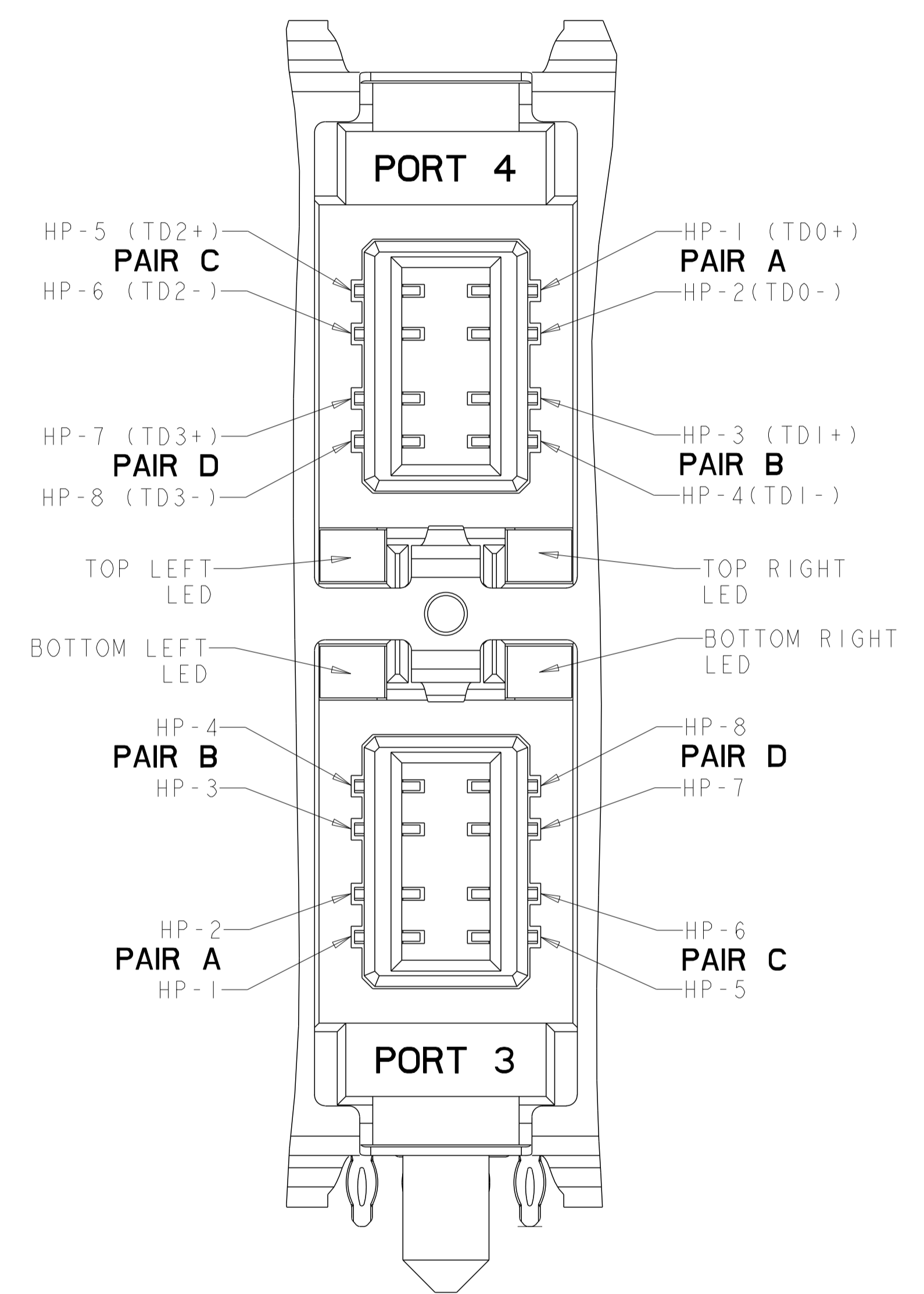
DETAIL G
 BOARD PIN IDENTIFIERS
 SCALE 10:1

THIS DRAWING IS A CONTROLLED DOCUMENT.		DWN M. SHIRK 09APR2008	TE Connectivity
		CHK B. HENRY 09APR2008	
		APVD B. HENRY 09APR2008	
DIMENSIONS:	TOLERANCES UNLESS OTHERWISE SPECIFIED:	NAME	RECEPTACLE ASSEMBLY, 2X8, NON MAGNETICS, RJ POINT FIVE
mm	0 PLC ± 1 PLC ± 2 PLC ±0.25 3 PLC ± 4 PLC ±	PRODUCT SPEC	108-2341
	ANGLES ±°	APPLICATION SPEC	
MATERIAL	FINISH	SIZE	CAGE CODE DRAWING NO. RESTRICTED TO
-	-	A 100779 ©=2057133	-
CUSTOMER DRAWING		SCALE	4:1 SHEET 2 OF 5 REV C

LOC		DIST		REVISIONS				
AG	00	P	LTR	DESCRIPTION	DATE	DWN	APVD	
		-		SEE SHEET 1				



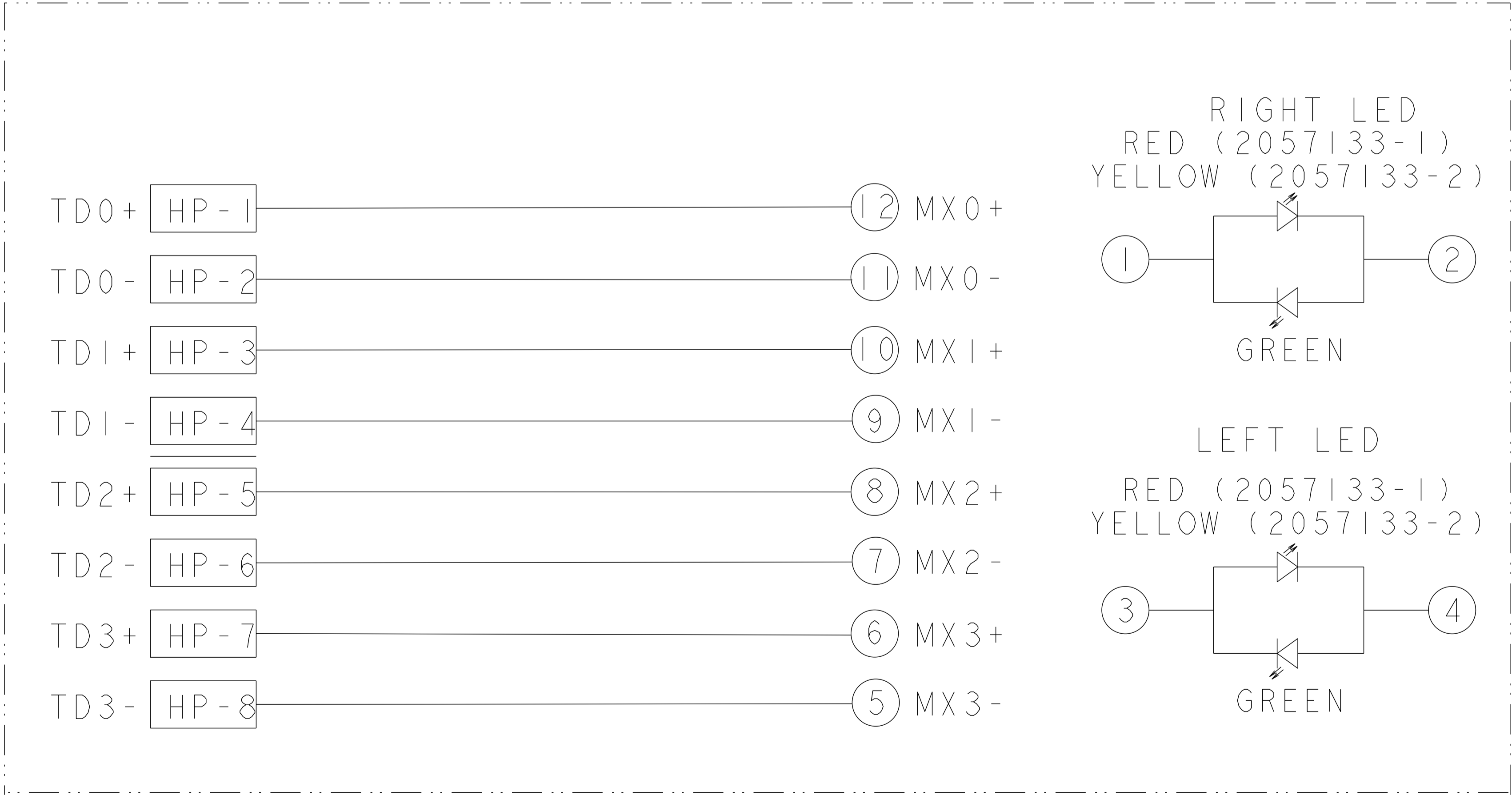
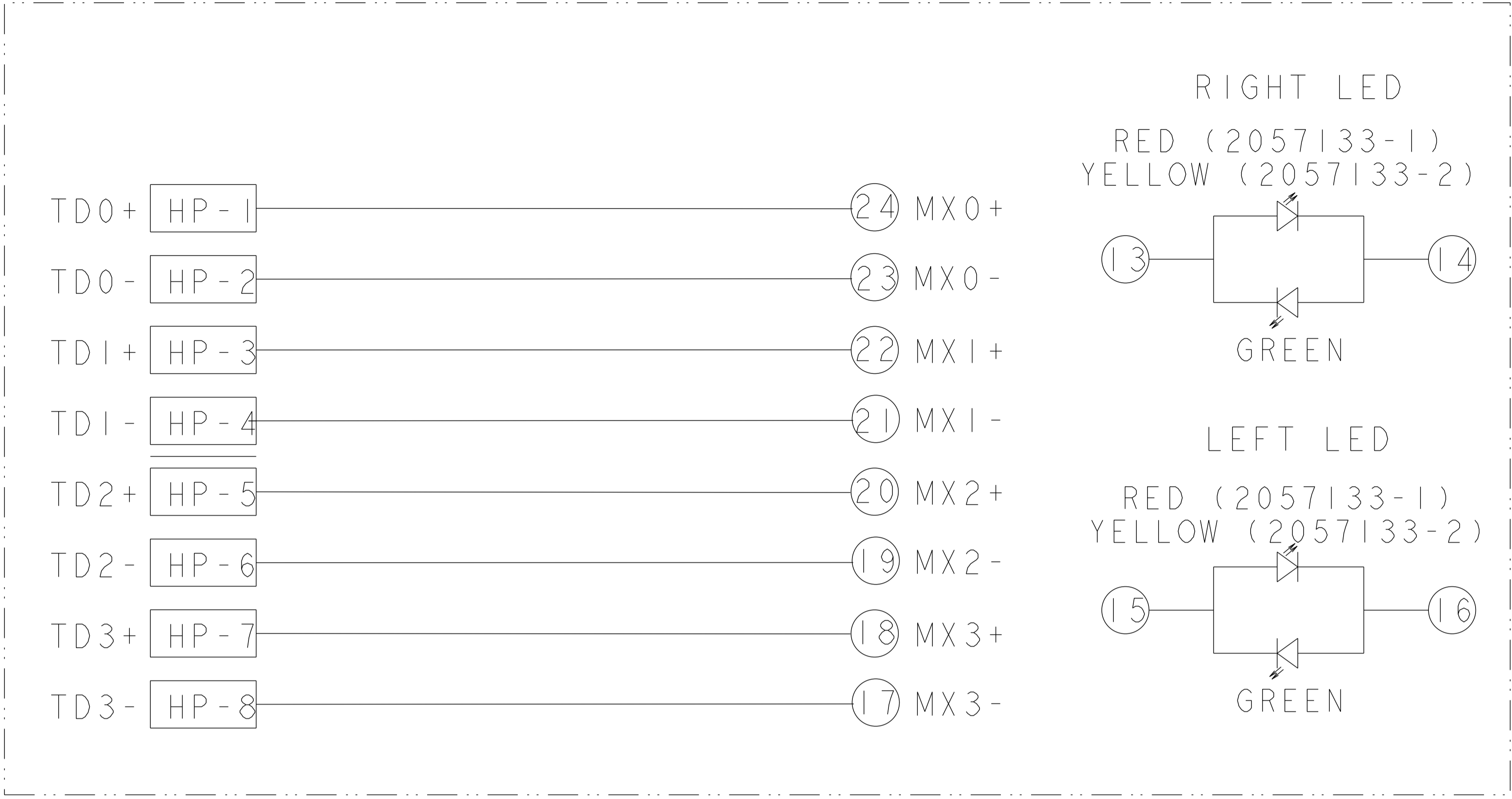
RECOMMENDED PANEL CUTOUT
SCALE 3:1



DETAIL H
SCALE 10:1

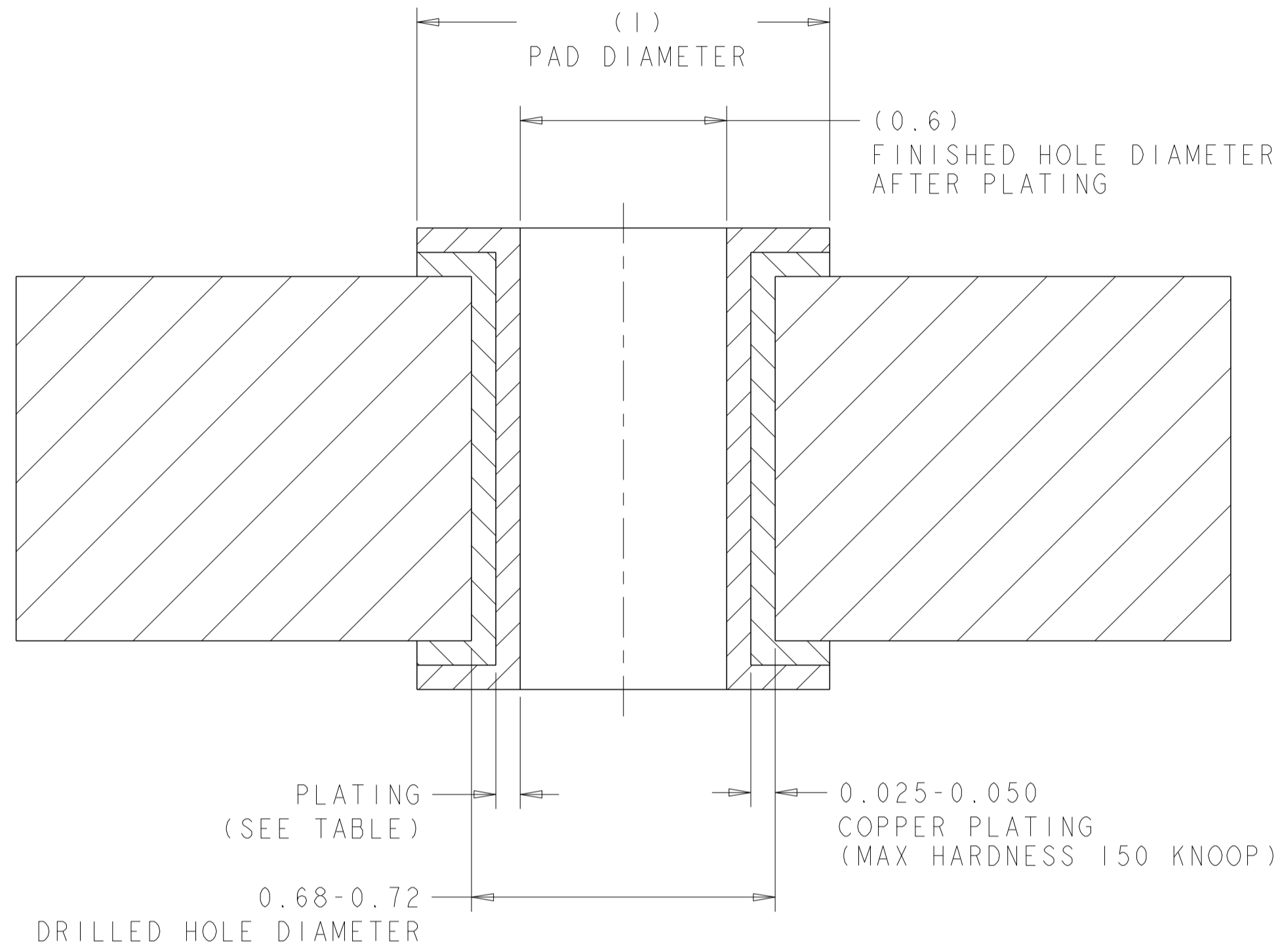
THIS DRAWING IS A CONTROLLED DOCUMENT.		DWN M. SHIRK 09APR2008	 TE Connectivity	NAME			
DIMENSIONS:		CHE B. HENRY 09APR2008		RECEPTACLE ASSEMBLY,			
mm		APVD B. HENRY 09APR2008		2X8, NON MAGNETICS, RJ POINT FIVE			
TOLERANCES UNLESS OTHERWISE SPECIFIED:		PRODUCT SPEC		-			
0 PLC ±	1 PLC ±	108-2341	SIZE	CAGE CODE	DRAWING NO.	RESTRICTED TO	
2 PLC ±0.25	3 PLC ±	APPLICATION SPEC	A1	100779	2057133	-	
4 PLC ±	ANGLES ±°		CUSTOMER DRAWING		SCALE 4:1	SHEET 3 OF 5	REV C
MATERIAL	FINISH						

LOC		DIST		REVISIONS				
AG	00	P	LTR	DESCRIPTION	DATE	OWN	APVD	
		-	-	SEE SHEET 1				

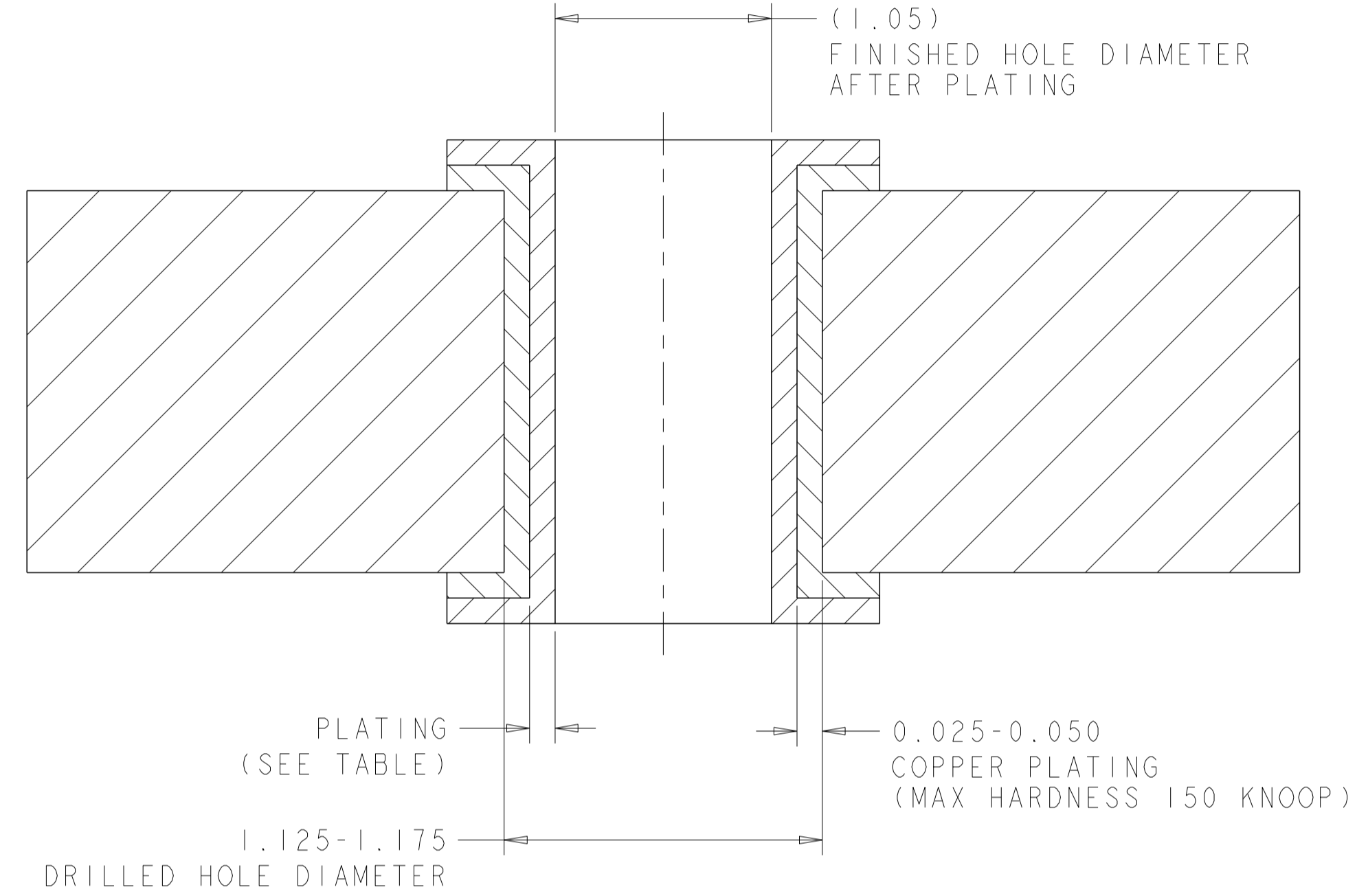


THIS DRAWING IS A CONTROLLED DOCUMENT.		DWN M. SHIRK 09APR2008	 TE Connectivity
DIMENSIONS: mm		CHK B. HENRY 09APR2008	
TOLERANCES UNLESS OTHERWISE SPECIFIED:		APVD B. HENRY 09APR2008	NAME RECEPTACLE ASSEMBLY, 2X8, NON MAGNETICS, RJ POINT FIVE
0 PLC ±	1 PLC ±	PRODUCT SPEC	SIZE A1
2 PLC ±0.25	3 PLC ±	APPLICATION SPEC	CAGE CODE 100779
4 PLC ±	ANGLES ±°	FINISH	DRAWING NO. 2057133
MATERIAL		WEIGHT	RESTRICTED TO
		CUSTOMER DRAWING	SCALE 4:1 SHEET 4 OF 5 REV C

LOC	DIST	REVISIONS					
AG	00	P	LTR	DESCRIPTION	DATE	DWN	APVD
		-		SEE SHEET 1	-	-	-



RECOMMENDED HOLE DIMENSIONS FOR SIGNAL CONTACTS



RECOMMENDED HOLE DIMENSIONS FOR SHIELD PINS

THICKNESS	PLATING
0.004-0.010	HOT AIR SOLDER LEVELING (HASL) TIN-LEAD (Sn Pb)
0.0005-0.001	IMMERSION TIN (Sn)
0.0002-0.0005	ORGANIC SOLDERABILITY PRESERVATIVE (OSP)
0.0001-0.0005 Au, 0.004-0.0076 Ni	IMMERSION GOLD (Au) OVER NICKEL (Ni) (ENIG)
0.010-0.025	TIN LEAD PLATING (Sn Pb)
0.0001-0.00015	IMMERSION SILVER (Ag)

THIS DRAWING IS A CONTROLLED DOCUMENT. DWN M. SHIRK 09APR2008
 CWR B. HENRY 09APR2008
 APVD B. HENRY 09APR2008

STE TE Connectivity

NAME RECEPTACLE ASSEMBLY, 2X8, NON MAGNETICS, RJ POINT FIVE
 PRODUCT SPEC 108-2341
 APPLICATION SPEC

SIZE A1 CAGE CODE 00779 DRAWING NO. 2057133 RESTRICTED TO
 MATERIAL - WEIGHT -
 FINISH -

CUSTOMER DRAWING SCALE 4:1 SHEET 5 OF 5 REV C