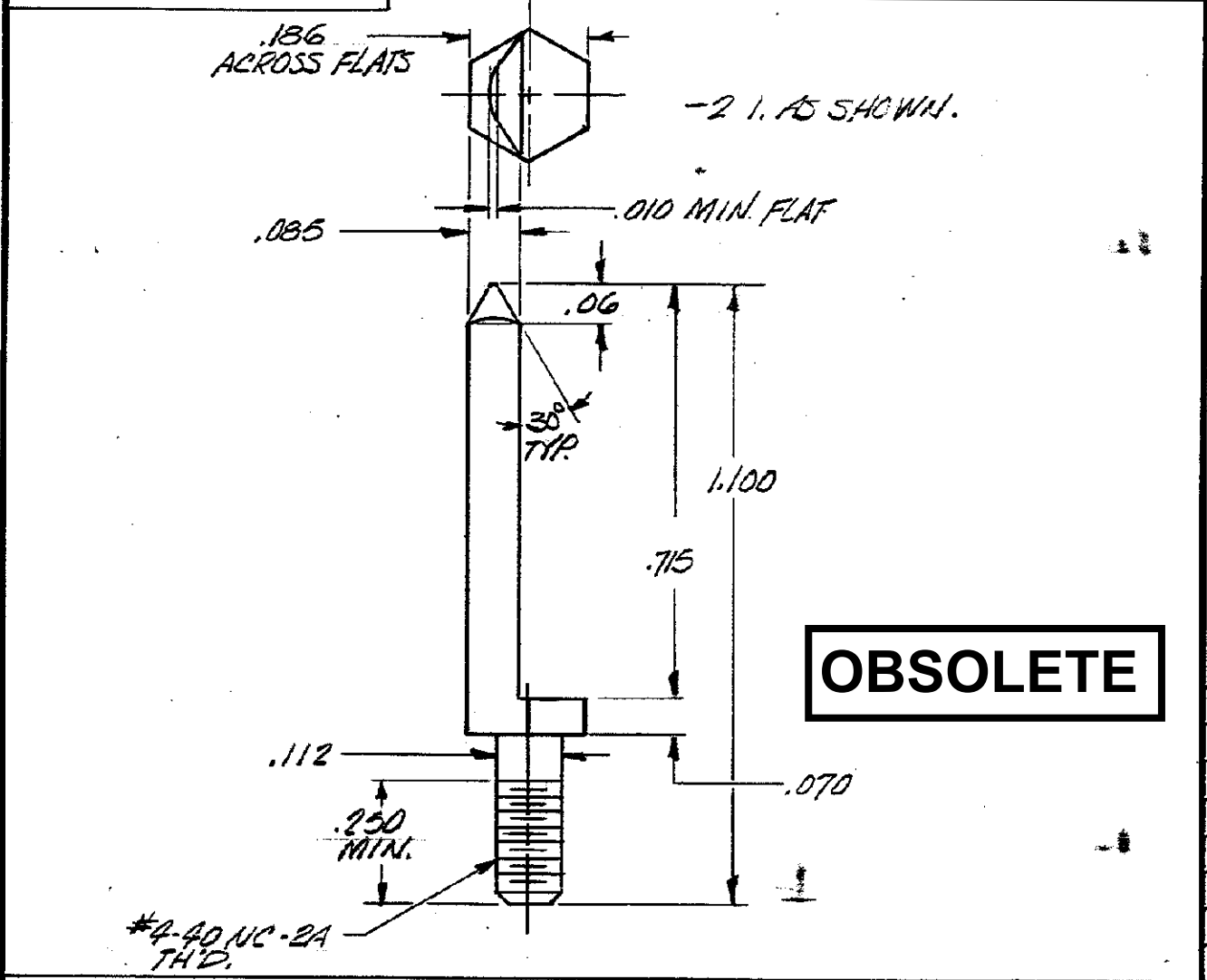



© COPYRIGHT 1978 BY AMP INCORPORATED, HARRISBURG, PA. ALL INTERNATIONAL RIGHTS RESERVED. AMP INCORPORATED PRODUCTS COVERED BY U.S. AND FOREIGN PATENTS AND /OR PATENTS PENDING.

REVISIONS				
LTR	DESCRIPTION	DATE	APPROVED	P/F
0	RELEASED	8/20/78	JCN	2
A	REV. / ECN 2-1871	3-4-86	MPH DB	2
B	REV PER ECO-12-004146	PY	03-12	DE



PART NO

UNLESS OTHERWISE SPECIFIED DIMENSIONS ARE IN INCHES. TOLERANCES ON: DECIMALS $\pm .005$ ANGLES $\pm 0^{\circ}30'$	CONTRACT NO	 AMP INCORPORATED Harrisburg, Pa.
	DR <i>Deffen</i> 8/29/78	
MATERIAL <i>ST. STEEL PER QQ-S-763</i>	APPD <i>Deffen</i> 9-5-78	NAME <i>POLARIZING POST</i>
FINISH <i>PASSIVATE</i>	APPD <i>J. Wier</i> 9/5/78	SIZE A CODE IDENT NO 00779 DRAWING NO <i>202355</i> REV B
	DSGN APPD	SCALE <i>1</i> SHEET <i>1</i>
	OTHER APPD	