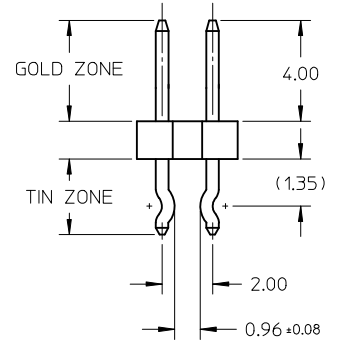
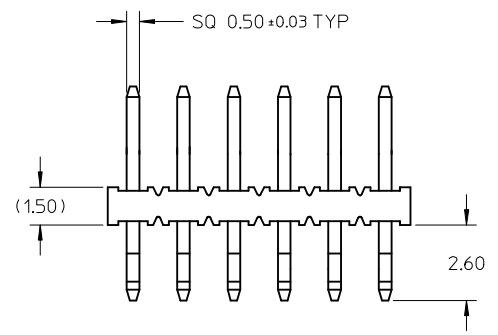


RECOMMENDED PCB PATTERN  
(PATTERN TYPICAL BOTH SIDES)

PART NUMBER	CKT SIZE	DIM A	DIM B
87830-04**	4	3.90	2.00
87830-06**	6	5.90	4.00
87830-08**	8	7.90	6.00
87830-10**	10	9.90	8.00
87830-12**	12	11.90	10.00
87830-14**	14	13.90	12.00
87830-16**	16	15.90	14.00
87830-18**	18	17.90	16.00
87830-20**	20	19.90	18.00
87830-22**	22	21.90	20.00
87830-24**	24	23.90	22.00
87830-26**	26	25.90	24.00
87830-28**	28	27.90	26.00
87830-30**	30	29.90	28.00
87830-32**	32	31.90	30.00
87830-34**	34	33.90	32.00
87830-36**	36	35.90	34.00
87830-38**	38	37.90	36.00
87830-40**	40	39.90	38.00
87830-42**	42	41.90	40.00
87830-44**	44	43.90	42.00
87830-46**	46	45.90	44.00
87830-48**	48	47.90	46.00
87830-50**	50	49.90	48.00



PART NUMBER LEGEND  
87830 - \*\* 2 1  
CKT SIZE  
CONFIGURATION

- NOTES:
- DRAWING SHOWS 12 CIRCUITS FOR ILLUSTRATION.
  - PIN PUSHOUT FORCE : 2 LBS. MIN. BEFORE SOLDERING.
  - WAFER TO BE FLAT WITHIN 0.003 mm/mm
  - PIN SOLDERABILITY PER MOLEX SPEC. ES-152
  - THIS PRODUCT IS INTENDED FOR EDGE OF BOARD MOUNTING  
RECOMMENDED BOARD THICKNESS IS 1.02 <sup>+0.05</sup> <sub>-0.13</sub>
  - PRODUCT SPECIFICATION: PS-87761-100 APPLIES.

REVISE DIM EC NO: S2010-0047 DRWN:SKANG 2009/07/27 CHKD:ATSEE 2009/07/28 APPR:MLONG 2009/07/28	QUALITY SYMBOLS	GENERAL TOLERANCES (UNLESS SPECIFIED)	DIMENSION STYLE	SCALE	DESIGN UNITS	THIRD ANGLE PROJECTION	
	▽=0 ∇=0	mm INCH 4 PLACES ± --- ± --- 3 PLACES ± --- ± --- 2 PLACES ± 0.20 ± --- 1 PLACE ± --- ± --- ANGULAR ± 3 °	MM ONLY	NTS	METRIC		
	DESCRIPTION	DRAFT WHERE APPLICABLE MUST REMAIN WITHIN DIMENSIONS	DRAWN BY: RSHAN CHECKED BY: KCL ING APPROVED BY: SKTOH MATERIAL NO. SKTOH	DATE: 2003/11/07	DATE: 2003/11/26	DATE: 2003/11/26	TITLE: MILLI-GRID HEADER EDGE MOUNT
	REV: A1	SIZE: A3	SEE TABLE	MOLEX INCORPORATED DOCUMENT NO. SD-87830-003		SHEET NO. 1 OF 1	