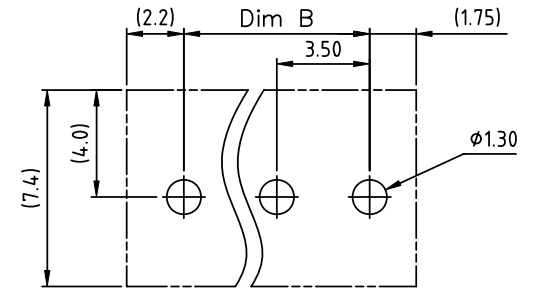
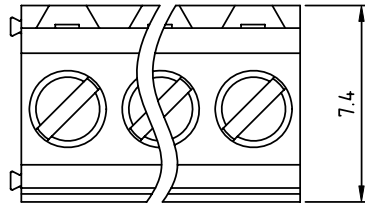
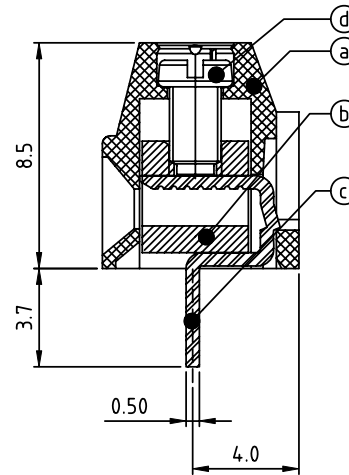
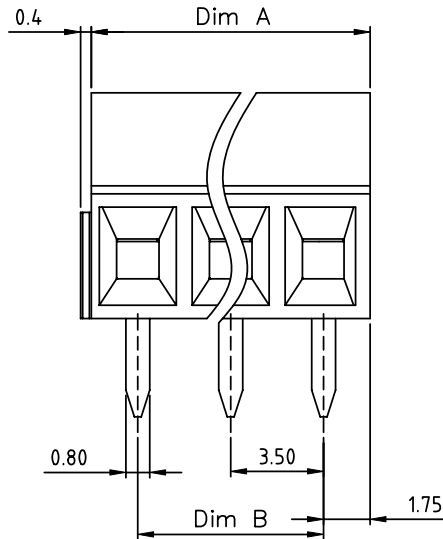


PRODUCT NUMBER	PITCH
Y0xx01x000J0G	3.5 mm



RECOMMENDED P.C.B LAYOUT  
TOP VIEW



Material:

- Item ① Terminal housing :Thermoplastic (UL 94V-0)
- Item ② Clamp : Brass,Ni plated
- Item ③ solder pin : Brass,Tin plated
- Item ④ Terminal screw: Steel Zinc plating"-slot type

Electrical cULus / TUV

- Voltage rating: 300V / 300V
- Current rating: 10A / 12A
- Wire range: 0.2 ~ 1.5mm<sup>2</sup>
- Solid wire(AWG): 16-24
- Stranded wire(AWG): 16-24
- Torque: 1.7 Lb-In / 0.2Nm (stackable type: 1.5Kgf cm)
- Screw: M2
- Wire strip length: 5-6mm
- Withstanding Voltage: 1.6KV / 1.25KV
- Operating temperature: -40°C to +115°C
- Soldering temperature: 260°C±5°C/5 Sec
- Safety Approval: cULus TUV

N = Number of poles  
Dim A=Nx3.5  
Dim B=(N-1)x3.5

Poles	Dim A	Dim B
2-6p	±0.15	±0.15
7-12p	±0.25	±0.25
13-18p	±0.35	±0.35
19-24p	±0.40	±0.40

PART NO.: YO xx 0 1 x 0 00J 0 G

Solid bolck	0	Black (RAL9005)	RoHS compliant (lead<4%) In copper Alloy
No. of poles	2	Red (RAL3001/D)	
02 2 poles	3	Orange(RAL2011/P)	
03 3 poles	4	Yellow(RAL1018/A)	
...	5	Green(RAL6018/T)	
24 24 poles	6	Blue (RAL5015/A)	
	8	Grey(RAL7035/D)	
	9	White(RAL1102)	
	C	Green(RAL6018/U)	

mat'l. code		surface ASME Y14.5	tolerance ASME Y14.5	projection 	product family TERMINAL BLOCK		
ltr	ecn no	dr	date	MM ←→	title TERMINAL BLOCK		
tolerances unless otherwise specified							
angles		X.±0.5		scale	RISING CLAMP,180D WIRE INLET		
mm		X.X±0.3					
X*±1°		X.XX±0.1			dwg no	sheet 1 of 1	size
dr	EVIN ZHONG	040814			Y0xx01x000J0G	A4	
enrg	EVIN ZHONG	040814					
chr	HANKE FENG	040814					
appd	SHI JUN	040814			type	CUSTOMER Drawing	
sheet index	revision	A					
	sheet	1					