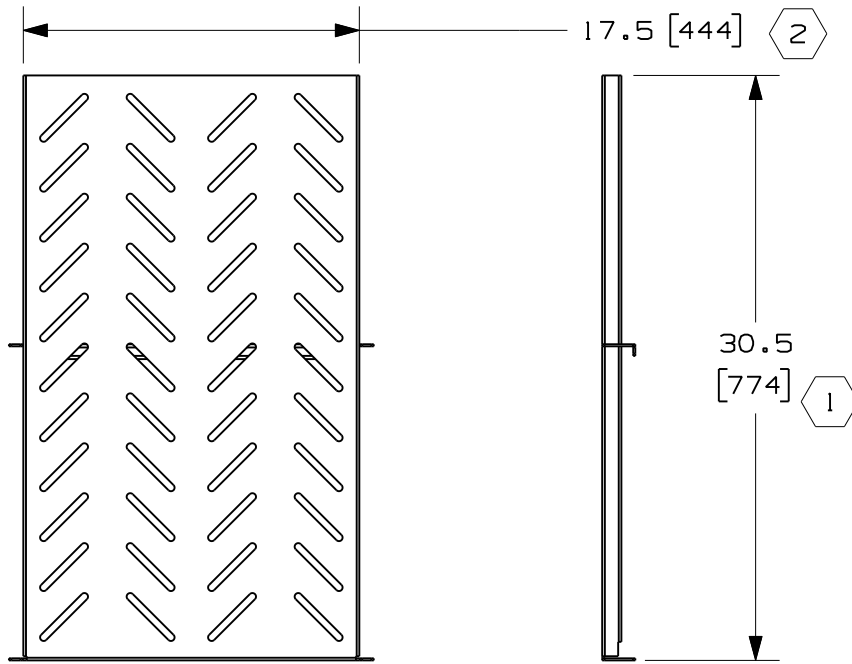


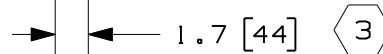
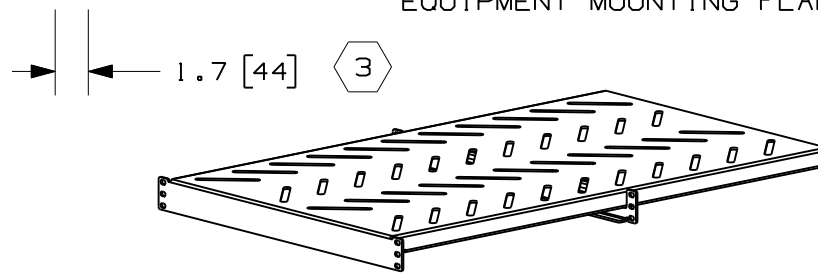
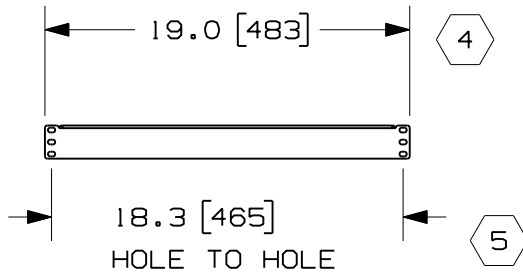
THIS COPY IS PROVIDED ON A RESTRICTED BASIS AND IS NOT TO BE USED IN ANY WAY DETRIMENTAL TO THE INTERESTS OF PANDUIT CORP.



PANDUIT P/N	WEIGHT
RSHLF	20 LBS/EACH 9.07 Kgs/EACH

NOTES:

- VISIT OUR ON-LINE CATALOG AT [WWW.PANDUIT.COM](http://WWW.PANDUIT.COM) FOR A CURRENT LIST OF PRODUCTS APPLICABLE FOR USE WITH THIS PART.
- COMPONENTS:  
1- BASE SHELF  
1- MOUNTING BRACKET  
2- 12-24 SCREWS (PACK OF 4)  
2- M6 METRIC SCREWS (PACK OF 4)
- DIMENSIONS IN PARENTHESIS ARE METRIC.
- SHELF MOUNTING BRACKET IS ADJUSTABLE ALONG THE DEPTH OF THE SHELF.
- LOAD RATING IS 275 LBS WHEN RAILS ARE SPACED A MINIMUM OF HALF THE SHELF DEPTH.
- SHELF IS DESIGNED TO SUPPORT LARGE NETWORKING EQUIPMENT IN COMBINATION WITH SUPPLIED EQUIPMENT MOUNTING FLANGES.



MODEL FILENAME	V10679ZM/00
CAD FILENAME/LAYERS	V10679ZM_DC/00B

PANDUIT CORP. TINLEY PARK, ILLINOIS

RSHLF - 19"X30" DEEP SHELF FOR 4 POST RACK - CUSTOMER DRAWING

UNLESS OTHERWISE SPECIFIED, DIMENSIONAL TOLERANCES ARE:		UNLESS OTHERWISE SPECIFIED, ALL DIMENSIONS ARE GIVEN IN INCHES, THIRD ANGLE PROJECTION.	
INCHES	[METRIC - MILLIMETER]	ANGLE	
X.X +/- 0.03	X. +/- 0.8		
X.XX +/- 0.015	X.X +/- 0.4	+/- 1°	
X.XXX +/- 0.005	X.XX +/- 0.13		

REV	DATE	BY	CHK	DESCRIPTION	ECN	R	CUST	SUP	OTH
OOB	09-24-09	BAME	DSI	UPDATED LOAD RATING	V10679ZM-DC				
OOA	08-05-09	DSI	DPN	RELEASED TO PRODUCTION	V10679ZM-DC		CMK		

DRAWN BY DSI	MAT'L: STEEL	SCALE NONE
DATE 08-05-09		DRAWING NO. V10679ZM-DC
CHK'D DPN		DWG A SIZE