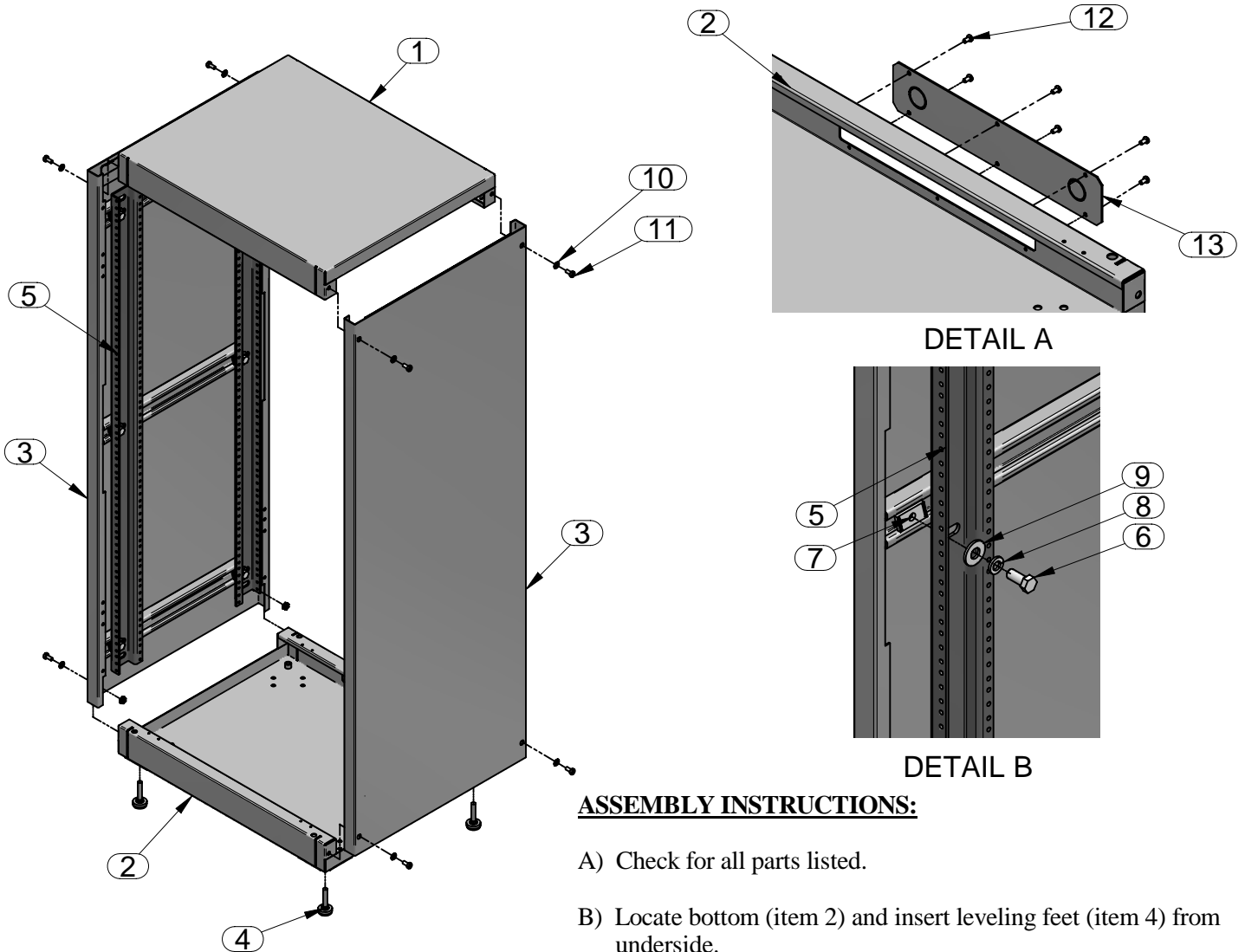


REFK - SERIES

ASSEMBLY INSTRUCTIONS FOR ECONOMY KNOCKDOWN RACK

BUL10092
REV. A
PAGE 1 OF 1



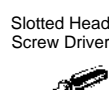
ASSEMBLY INSTRUCTIONS:

- A) Check for all parts listed.
- B) Locate bottom (item 2) and insert leveling feet (item 4) from underside.
- C) Position side panels (item 3) into interlocking corners of bottom.
- D) Position top (item 1) onto sides same as bottom.
- E) Secure side panels at top and bottom using 1/4-20 slotted binding head screws (item 11) and nylon washers (item 10).
Note : Square inside corners and tighten screws.
- F) Position combination rails (item 5) in desired locations on "C" channels and secure using 3/8-16 screws, washers and spring nuts (items 6,7,8 & 9). See detail A.
- G) Secure gland plate (item 13) with knockouts to bottom opening using # 6 self tapping screws (item 12) as shown in detail B.

PARTS LIST

ITEM No.	DESCRIPTION	QTY
1	TOP	1
2	BOTTOM	1
3	SIDES	2
4	LEVELING FEET	4
5	COMBINATION RAILS (TAPPED)	4
6	3/8-16 HEX HD SCREWS	8, 12
7	3/8-16 SPRING NUTS	8, 12
8	3/8 LOCK WASHERS	8, 12
9	3/8 FLAT WASHERS	8, 12
10	1/4 NYLON WASHERS	8
11	1/4-20 BINDING HD SCREWS	8
12	#6 SELF TAPPING SCREWS	6
13	GLAND PLATE	1

TOOL BOX



visit our website @ www.hammondmfg.com