

Features

- High speed
 - 20 ns
- Automatic power-down when deselected
- Low active power
 - 935 mW
- Low standby power
 - 83 mW
- CMOS for optimum speed/power
- TTL-compatible inputs and outputs
- Easy memory expansion with \overline{CE}_1 , CE_2 , and \overline{OE} features
- Available in non Pb-free 32-Lead (300-Mil) Molded SOJ

Functional Description

The CY7C188 is a high-performance CMOS static RAM organized as 32,768 words by 9 bits. Easy memory expansion is provided by an active-LOW chip enable (\overline{CE}_1), an active-HIGH chip enable (CE_2), an active-LOW output enable (\overline{OE}), and tri-state drivers. The device has an automatic power-down feature that reduces power consumption by more than 75% when deselected.

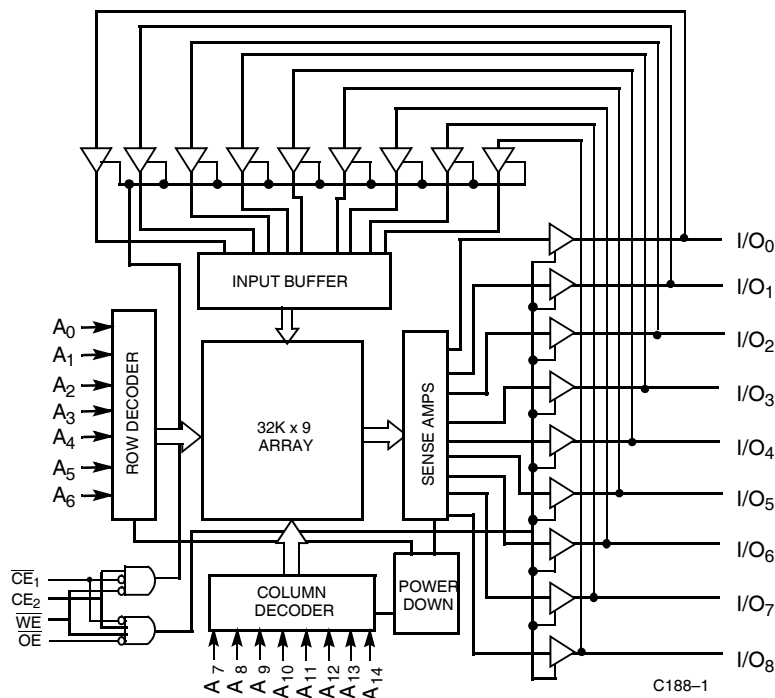
Writing to the device is accomplished by taking \overline{CE}_1 and write enable (\overline{WE}) inputs LOW and CE_2 input HIGH. Data on the nine I/O pins ($I/O_0 - I/O_8$) is then written into the location specified on the address pins ($A_0 - A_{14}$).

Reading from the device is accomplished by taking \overline{CE}_1 and \overline{OE} LOW while forcing \overline{WE} and CE_2 HIGH. Under these conditions, the contents of the memory location specified by the address pins will appear on the I/O pins.

The nine input/output pins ($I/O_0 - I/O_8$) are placed in a high-impedance state when the device is deselected (\overline{CE}_1 HIGH or CE_2 LOW), the outputs are disabled (\overline{OE} HIGH), or during a write operation (CE_1 LOW, CE_2 HIGH, and \overline{WE} LOW).

The CY7C188 is available in standard 300-mil-wide SOJ.

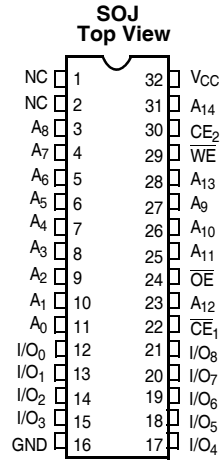
Logic Block Diagram



Contents

Pin Configuration	3	Truth Table	7
Selection Guide	3	Ordering Information	8
Maximum Ratings	4	Ordering Code Definitions	8
Operating Range	4	Package Diagram	8
Electrical Characteristics	4	Acronyms	9
Capacitance	4	Document Conventions	9
AC Test Loads and Waveforms	5	Units of Measure	9
Switching Characteristics	5	Document History Page	10
Switching Waveforms	6	Sales, Solutions, and Legal Information	10
Read Cycle No. 1	6	Worldwide Sales and Design Support	10
Read Cycle No. 2 (Chip-Enable Controlled)	6	Products	10
Write Cycle No. 1 (\overline{WE} Controlled)	6	PSoC Solutions	10
Write Cycle No.2 (\overline{CE} Controlled)	7		
Write Cycle No. 3 (\overline{WE} Controlled, \overline{OE} LOW)	7		

Pin Configuration



Selection Guide

Description	-20
Maximum Access Time (ns)	20
Maximum Operating Current (mA)	170
Maximum CMOS Standby Current (mA)	15

Maximum Ratings

Exceeding the maximum ratings may impair the useful life of the device. These user guidelines are not tested.

- Storage Temperature -65 °C to +150 °C
- Ambient Temperature with Power Applied -55 °C to +125 °C
- Supply Voltage on V_{CC} Relative to GND (Pin 32 to Pin 16)..... -0.5 V to +7.0 V
- DC Voltage Applied to Outputs in high Z State^[1] -0.5 V to V_{CC} + 0.5 V

- DC Input Voltage^[1] -0.5 V to V_{CC} + 0.5 V
- Output Current into Outputs (LOW)..... 20 mA
- Static Discharge Voltage..... > 2001 V (per MIL-STD-883, Method 3015)
- Latch-up Current..... > 200 mA

Operating Range

Range	Ambient Temperature	V _{CC}
Commercial	0 °C to +70 °C	5 V ± 10%

Electrical Characteristics

Over the Operating Range^[2]

Parameter	Description	Test Conditions	-20		Unit
			Min	Max	
V _{OH}	Output HIGH Voltage	V _{CC} = Min, I _{OH} = -4.0 mA	2.4	-	V
V _{OL}	Output LOW Voltage	V _{CC} = Min, I _{OL} = 8.0 mA	-	0.4	V
V _{IH}	Input HIGH Voltage		2.2	V _{CC} + 0.3	V
V _{IL}	Input LOW Voltage ^[1]		-0.5	0.8	V
I _{IX}	Input Leakage Current	GND ≤ V _I ≤ V _{CC}	-5	+5	μA
I _{OZ}	Output Leakage Current	GND ≤ V _I ≤ V _{CC} , Output Disabled	-5	+5	μA
I _{CC}	V _{CC} Operating Supply Current	V _{CC} = Max, I _{OUT} = 0 mA, f = f _{MAX} = 1/t _{RC}	-	170	mA
I _{SB1}	Automatic CE Power-Down Current — TTL Inputs	Max V _{CC} , $\overline{CE}_1 \geq V_{IH}$ or $CE_2 \leq V_{IL}, V_{IN} \geq V_{IH}$ or $V_{IN} \leq V_{IL}, f = f_{MAX}$	-	35	mA
I _{SB2}	Automatic CE Power-Down Current — CMOS Inputs	Max V _{CC} , $\overline{CE}_1 \geq V_{CC} - 0.3 V$ or $CE_2 \leq 0.3 V, V_{IN} \geq V_{CC} - 0.3 V$ or $V_{IN} \leq 0.3 V, f = 0$	-	15	mA

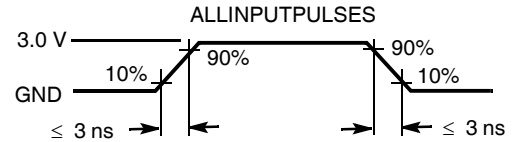
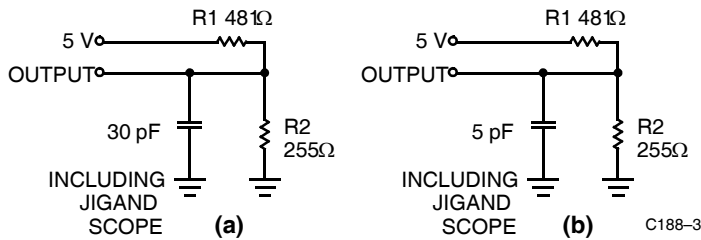
Capacitance^[3]

Parameter	Description	Test Conditions	Max	Unit
C _{IN} : Addresses	Input Capacitance	T _A = 25 °C, f = 1 MHz, V _{CC} = 5.0 V	6	pF
C _{IN} : Controls	Input Capacitance		8	pF
C _{OUT}	Output Capacitance		8	pF

Notes

1. Minimum voltage is equal to -2.0 V for pulse durations less than 20 ns.
2. See the last page of this specification for Group A subgroup testing information.
3. Tested initially and after any design or process changes that may affect these parameters.

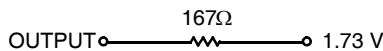
AC Test Loads and Waveforms^[4, 5]



C188-3

C188-4

Equivalent to: THÉVENIN EQUIVALENT



Switching Characteristics

Over the Operating Range^[4, 6]

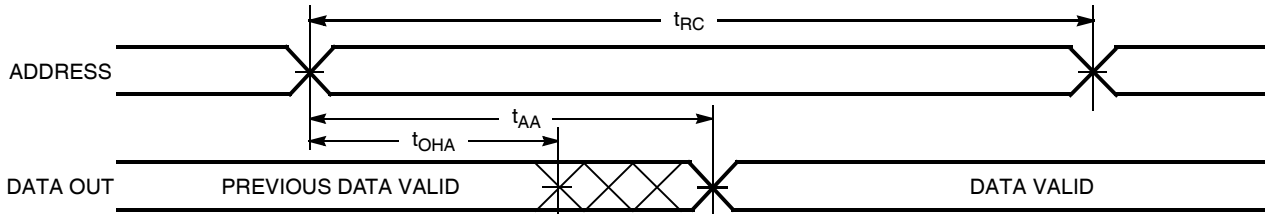
Parameter	Description	-20		Unit
		Min	Max	
READ CYCLE				
t_{RC}	Read Cycle Time	20	–	ns
t_{AA}	Address to Data Valid	–	20	ns
t_{OHA}	Data Hold from Address Change	3	–	ns
t_{ACE}	\overline{CE}_1 LOW or CE_2 HIGH to Data Valid	–	20	ns
t_{DOE}	\overline{OE} LOW to Data Valid	–	9	ns
t_{LZOE}	\overline{OE} LOW to Low Z ^[7]	0	–	ns
t_{HZOE}	\overline{OE} HIGH to High Z ^[5, 7]	–	9	ns
t_{LZCE}	\overline{CE}_1 LOW or CE_2 HIGH to low Z ^[7]	3	–	ns
t_{HZCE}	\overline{CE}_1 HIGH or CE_2 LOW to high Z ^[5, 7]	–	9	ns
t_{PU}	\overline{CE}_1 LOW or CE_2 HIGH to power-up	0	–	ns
t_{PD}	\overline{CE}_1 HIGH or CE_2 LOW to power-down	–	20	ns
WRITE CYCLE^[8, 9]				
t_{WC}	Write Cycle Time	20	–	ns
t_{SCE}	\overline{CE}_1 LOW or CE_2 HIGH to Write End	15	–	ns
t_{AW}	Address set-up to Write End	15	–	ns
t_{HA}	Address Hold from Write End	0	–	ns
t_{SA}	Address set-up to Write Start	0	–	ns
t_{PWE}	\overline{WE} Pulse Width	15	–	ns
t_{SD}	Data Set-Up to Write End	10	–	ns
t_{HD}	Data Hold from Write End	0	–	ns
t_{HZWE}	\overline{WE} LOW to high Z ^[5]	0	7	ns
t_{LZWE}	\overline{WE} HIGH to low Z ^[5, 7]	3	–	ns

Notes

- Test conditions assume signal transition time of 3 ns or less, timing reference levels of 1.5 V, input pulse levels of 0 to 3.0 V, and output loading of the specified I_{OL}/I_{OH} and 30-pF load capacitance.
- t_{HZOE} , t_{HZCE} , and t_{HZWE} are specified with $C_L = 5$ pF as in part (b) of AC Test Loads. Transition is measured ± 500 mV from steady-state voltage.
- See the last page of this specification for Group A subgroup testing information.
- At any given temperature and voltage condition, t_{HZCE} is less than t_{LZCE} , t_{HZOE} is less than t_{LZOE} , and t_{HZWE} is less than t_{LZWE} for any given device.
- The internal write time of the memory is defined by the overlap of \overline{CE}_1 , LOW, CE_2 HIGH, and \overline{WE} LOW. All three signals must be asserted to initiate a write and any signal can terminate a write by being deasserted. The data input set-up and hold timing should be referenced to the rising edge of the signal that terminates the write.
- The minimum write cycle time for write cycle #3 (\overline{WE} controlled, \overline{OE} LOW) is the sum of t_{HZWE} and t_{SD} .

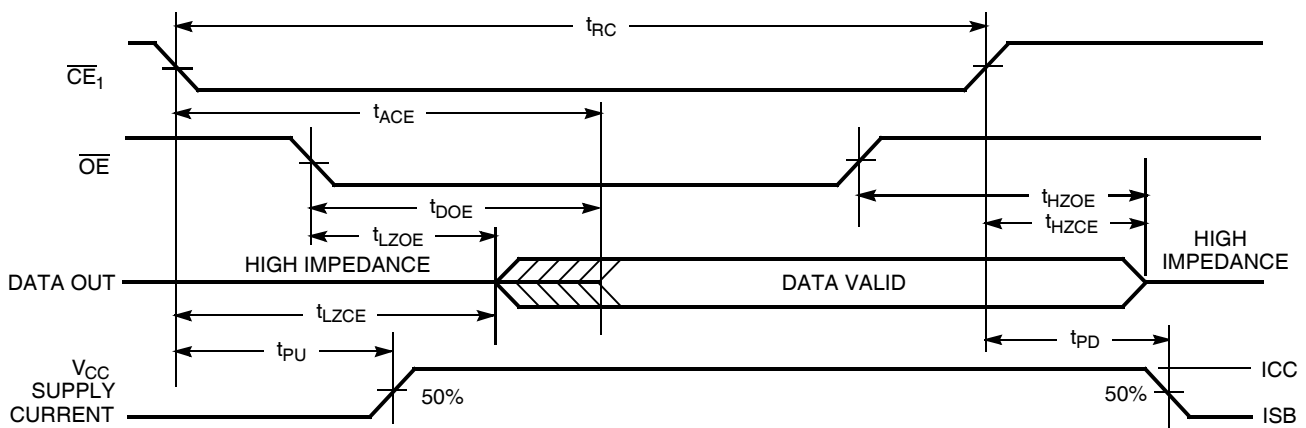
Switching Waveforms

Read Cycle No. 1^[10, 11]



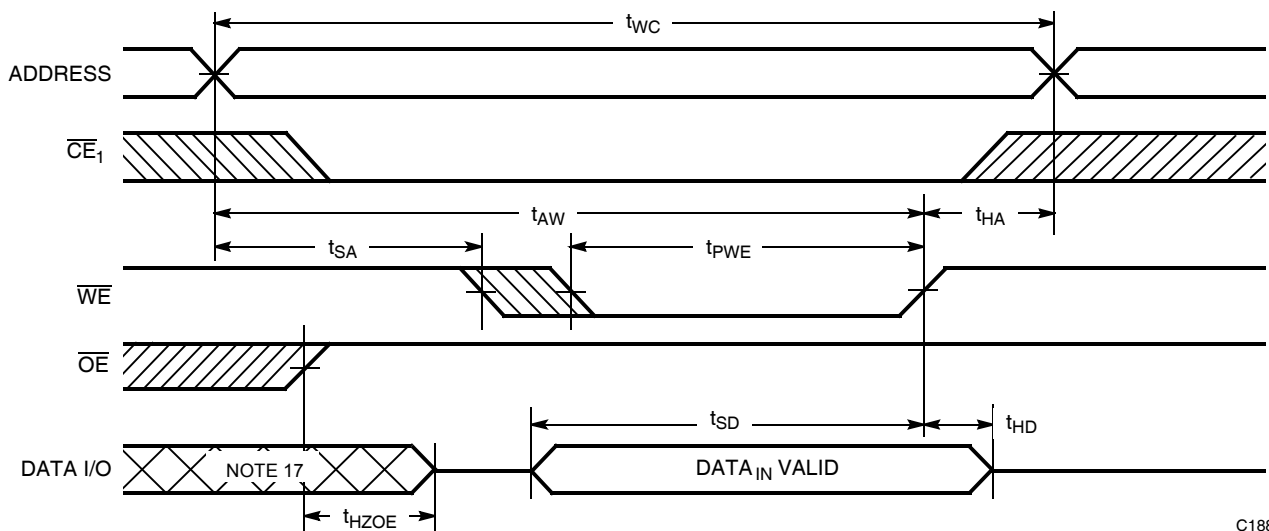
C188-5

Read Cycle No. 2 (Chip-Enable Controlled)^[11, 12, 13]



C188-6

Write Cycle No. 1 (\overline{WE} Controlled)^[13, 14, 15, 16]



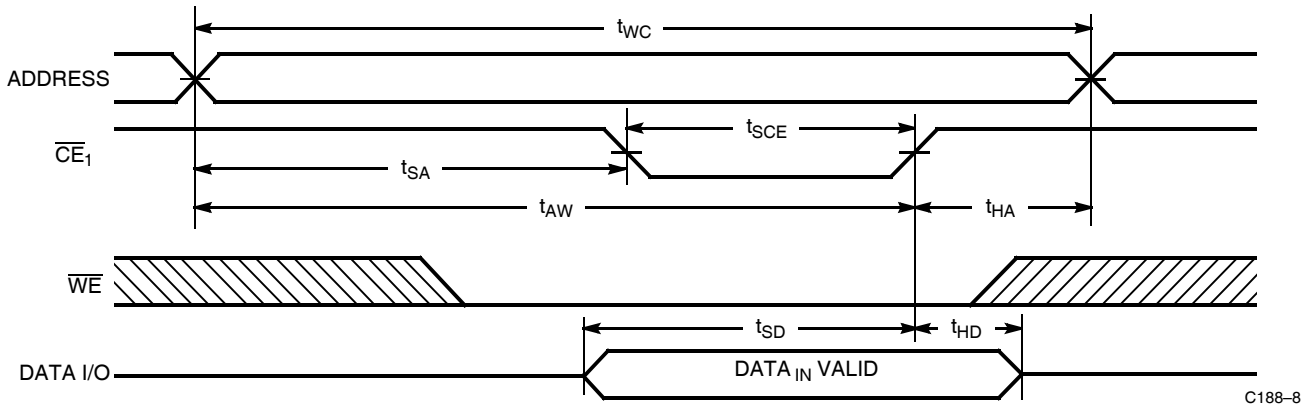
C188-7

Notes

- 10. Device is continuously selected. $\overline{OE}, \overline{CE} = V_{IL}$.
- 11. WE is HIGH for read cycle.
- 12. Address valid prior to or coincident with \overline{CE} transition LOW.
- 13. Timing parameters are the same for all chip enable signals (\overline{CE}_1 and \overline{CE}_2), so only the timing for \overline{CE}_1 is shown.
- 14. The internal write time of the memory is defined by the overlap of \overline{CE}_1 , LOW, \overline{CE}_2 HIGH, and WE LOW. All three signals must be asserted to initiate a write and any signal can terminate a write by being deasserted. The data input set-up and hold timing should be referenced to the rising edge of the signal that terminates the write.
- 15. Data I/O is high impedance if $\overline{OE} = V_{IH}$.
- 16. If CE goes HIGH simultaneously with WE HIGH, the output remains in a high-impedance state.
- 17. During this period, the I/Os are in the output state and input signals should not be applied.

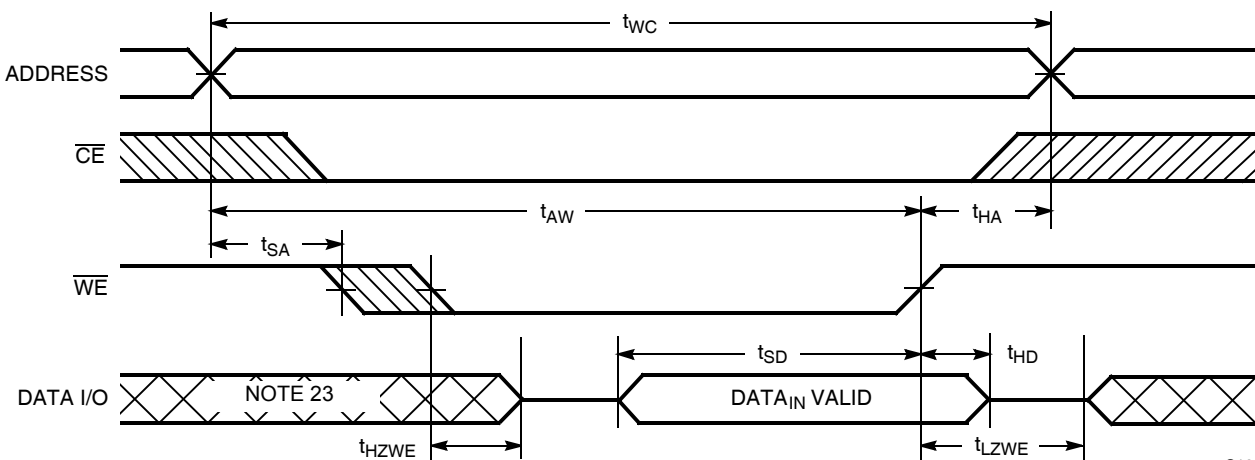
Switching Waveforms (Continued)

Write Cycle No.2 (\overline{CE} Controlled)^[18, 20, 21, 22]



C188-8

Write Cycle No. 3 (\overline{WE} Controlled, \overline{OE} LOW)^[19, 20, 22]



C188-9

Truth Table

CE	WE	OE	Input/Output	Mode	Power
H	X	X	High Z	Deselect/Power-Down	Standby (I_{SB})
L	H	L	Data Out	Read	Active (I_{CC})
L	L	X	Data In	Write	Active (I_{CC})
L	H	H	High Z	Deselect, Output Disabled	Active (I_{CC})

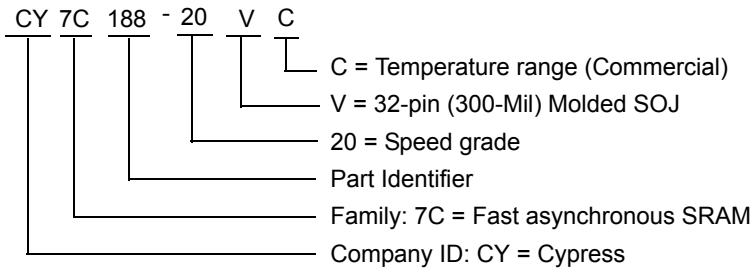
Notes

- 18. The internal write time of the memory is defined by the overlap of \overline{CE}_1 , LOW, CE_2 HIGH, and \overline{WE} LOW. All three signals must be asserted to initiate a write and any signal can terminate a write by being deasserted. The data input set-up and hold timing should be referenced to the rising edge of the signal that terminates the write.
- 19. The minimum write cycle time for write cycle #3 (\overline{WE} controlled, \overline{OE} LOW) is the sum of t_{HZWE} and t_{SD} .
- 20. Timing parameters are the same for all chip enable signals (CE_1 and CE_2), so only the timing for CE_1 is shown.
- 21. Data I/O is high impedance if $OE = V_{IH}$.
- 22. If CE goes HIGH simultaneously with WE HIGH, the output remains in a high-impedance state.
- 23. During this period, the I/Os are in the output state and input signals should not be applied.

Ordering Information

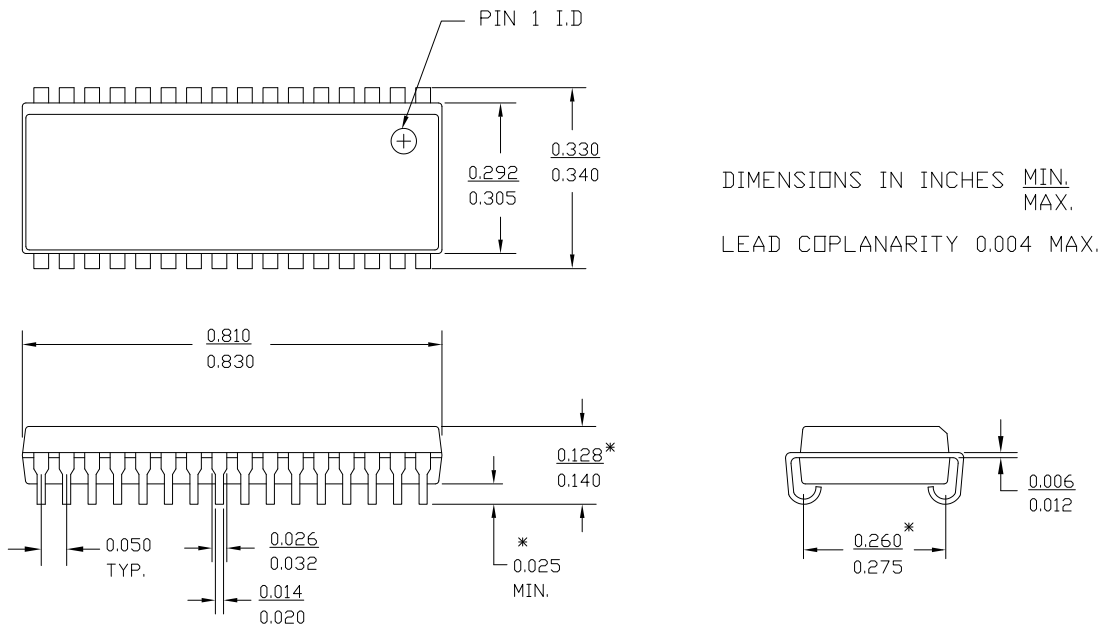
Speed (ns)	Ordering Code	Package Name	Package Type	Operating Range
20	CY7C188-20VC	51-85041	32-pin (300-Mil) Molded SOJ	Commercial

Ordering Code Definitions



Package Diagram

Figure 1. 32-Lead (300-Mil) Molded SOJ, 51-85041



51-85041 *B

Acronyms

Acronym	Description
CMOS	complementary metal oxide semiconductor
CE	chip enable
DIP	dual inline package
I/O	input/output
OE	output enable
SRAM	static random access memory
SOJ	small outline J-lead
TTL	transistor-transistor logic
WE	write enable

Document Conventions

Units of Measure

Symbol	Unit of Measure
ns	nano seconds
V	Volts
μA	micro Amperes
mA	milli Amperes
mV	milli Volts
mW	milli Watts
pF	pico Farad
°C	degree Celcius
W	Watts
%	percent
MHz	Mega Hertz

Document History Page

Document Title: CY7C188 32 K × 9 Static RAM Document Number: 38-05053				
REV.	ECN NO.	Issue Date	Orig. of Change	Description of Change
**	107155	09/10/01	SZV	Change from Spec number: 38-00220 to 38-05053
*A	506367	See ECN	NXR	Changed the description of I_{IX} from Input Load Current to Input Leakage Current in DC Electrical Characteristics table Removed I_{OS} parameter from DC Electrical Characteristics table Updated Ordering Information table
*B	2894123	03/17/2010	VKN	Added Table of Contents Removed 15ns speed bin Updated Ordering Information table Updated Package Diagram (Figure 1) Added Sales, Solutions, and Legal Information
*C	3096933	11/30/2010	PRAS	Added Ordering Code Definitions . Added Acronyms and Units of Measure . Minor edits.

Sales, Solutions, and Legal Information

Worldwide Sales and Design Support

Cypress maintains a worldwide network of offices, solution centers, manufacturer's representatives, and distributors. To find the office closest to you, visit us at [Cypress Locations](#).

Products

Automotive	cypress.com/go/automotive
Clocks & Buffers	cypress.com/go/clocks
Interface	cypress.com/go/interface
Lighting & Power Control	cypress.com/go/powerpsoc cypress.com/go/plc
Memory	cypress.com/go/memory
Optical & Image Sensing	cypress.com/go/image
PSoC	cypress.com/go/psoc
Touch Sensing	cypress.com/go/touch
USB Controllers	cypress.com/go/USB
Wireless/RF	cypress.com/go/wireless

PSoC Solutions

psoc.cypress.com/solutions
 PSoC 1 | PSoC 3 | PSoC 5

© Cypress Semiconductor Corporation, 2001-2010. The information contained herein is subject to change without notice. Cypress Semiconductor Corporation assumes no responsibility for the use of any circuitry other than circuitry embodied in a Cypress product. Nor does it convey or imply any license under patent or other rights. Cypress products are not warranted nor intended to be used for medical, life support, life saving, critical control or safety applications, unless pursuant to an express written agreement with Cypress. Furthermore, Cypress does not authorize its products for use as critical components in life-support systems where a malfunction or failure may reasonably be expected to result in significant injury to the user. The inclusion of Cypress products in life-support systems application implies that the manufacturer assumes all risk of such use and in doing so indemnifies Cypress against all charges.

Any Source Code (software and/or firmware) is owned by Cypress Semiconductor Corporation (Cypress) and is protected by and subject to worldwide patent protection (United States and foreign), United States copyright laws and international treaty provisions. Cypress hereby grants to licensee a personal, non-exclusive, non-transferable license to copy, use, modify, create derivative works of, and compile the Cypress Source Code and derivative works for the sole purpose of creating custom software and or firmware in support of licensee product to be used only in conjunction with a Cypress integrated circuit as specified in the applicable agreement. Any reproduction, modification, translation, compilation, or representation of this Source Code except as specified above is prohibited without the express written permission of Cypress.

Disclaimer: CYPRESS MAKES NO WARRANTY OF ANY KIND, EXPRESS OR IMPLIED, WITH REGARD TO THIS MATERIAL, INCLUDING, BUT NOT LIMITED TO, THE IMPLIED WARRANTIES OF MERCHANTABILITY AND FITNESS FOR A PARTICULAR PURPOSE. Cypress reserves the right to make changes without further notice to the materials described herein. Cypress does not assume any liability arising out of the application or use of any product or circuit described herein. Cypress does not authorize its products for use as critical components in life-support systems where a malfunction or failure may reasonably be expected to result in significant injury to the user. The inclusion of Cypress' product in a life-support systems application implies that the manufacturer assumes all risk of such use and in doing so indemnifies Cypress against all charges.

Use may be limited by and subject to the applicable Cypress software license agreement.