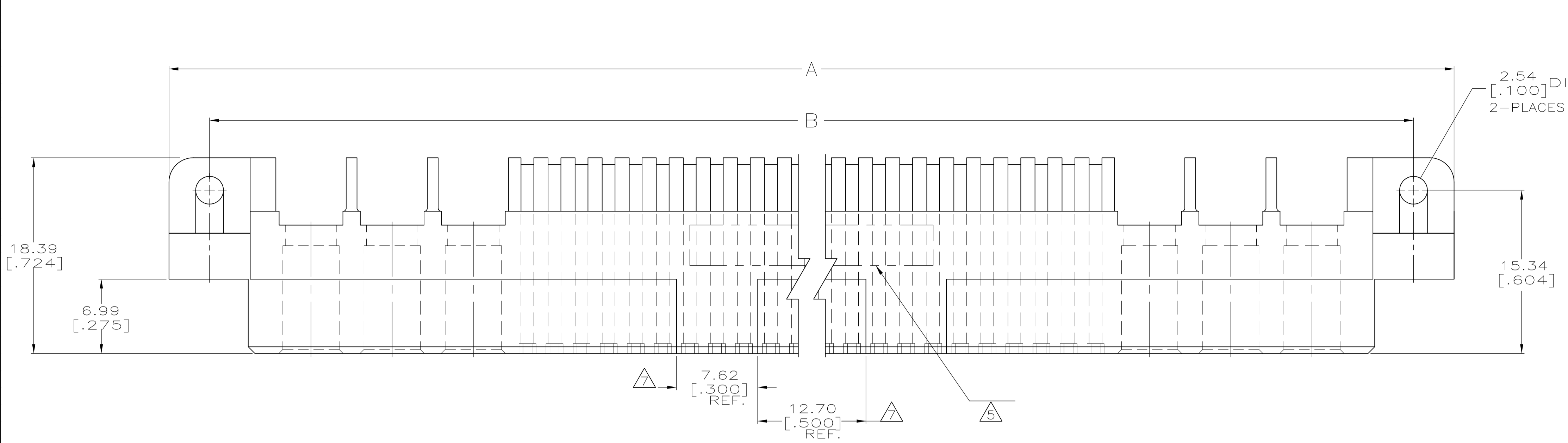
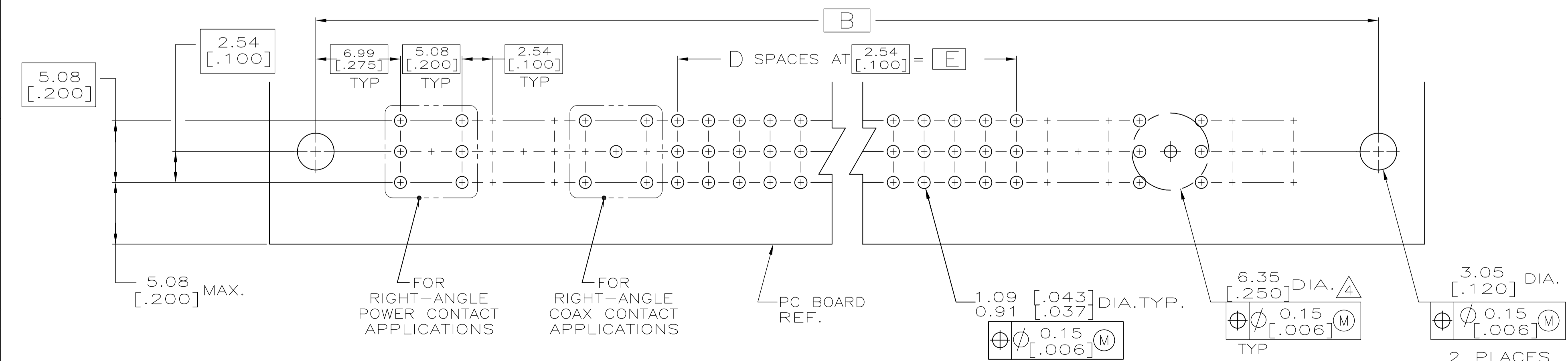
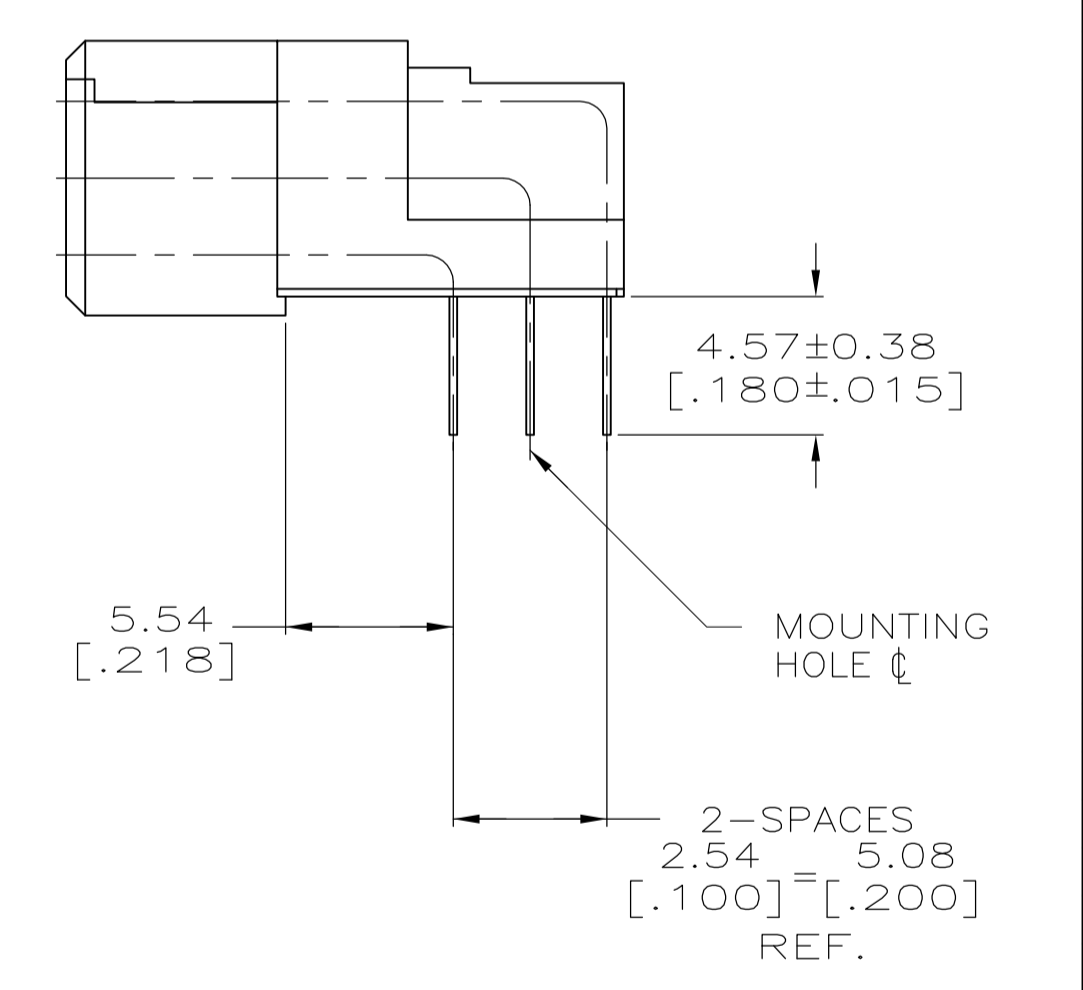
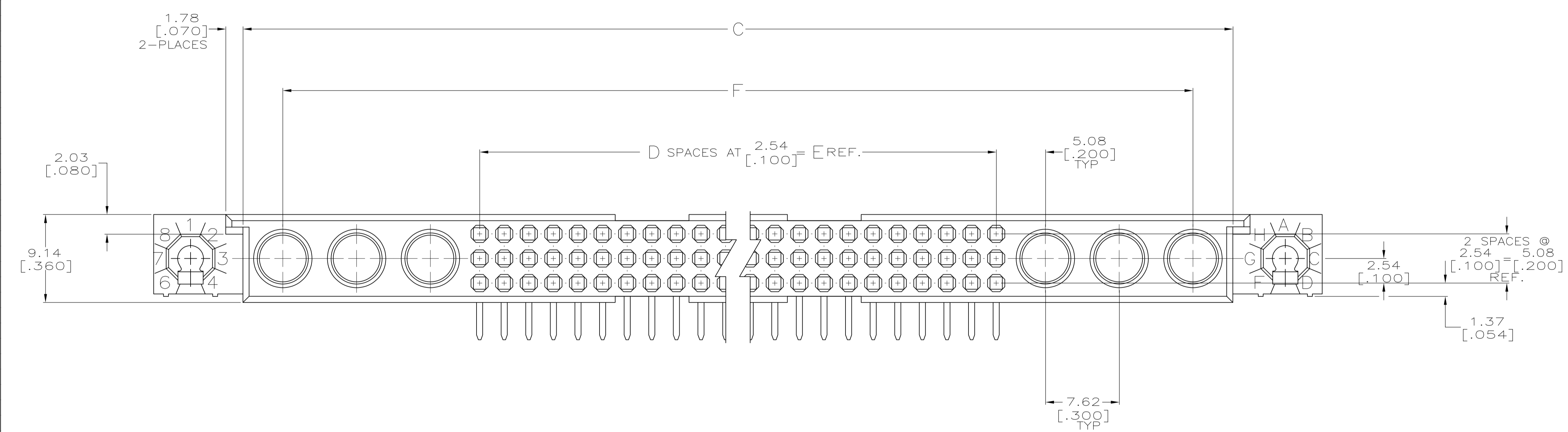


REVISIONS				
P	LTR	DESCRIPTION	DATE	APPV
A		REVISED PER ECO-15-015252	16NOV15	BJ FY



- △ HOUSING MATERIAL: THERMOPLASTIC.
- △ CONTACT MATERIAL: COPPER ALLOY.
- △ FINISH: MATING AREA: MEETS THE PERFORMANCE REQUIREMENTS OF PRODUCT SPECIFICATION 108-9063; BASED ON TELCORDIA DR-1217-CORE APPLICATIONS IN UNCONTROLLED ENVIRONMENTS. TIN PLATED POSTS.
- △ 6.35 [.250] DIA HOLE REQUIRED WHEN USING POWER CONTACT ON WIRE.
- △ AMP, AMP PART NUMBER & DATE CODE. THIS APPROXIMATE AREA.
- △ SOLDER TAILS MUST FIT HOLE PATTERN AS SHOWN ON THE RECOMMENDED P.C. BOARD LAYOUT.
- △ QUANTITIES OF VOID CORING ARE DEPENDENT ON THE POSITION SIZE OF THE HOUSING.



FINISH	POWER PORTS NUMBER END	POWER PORTS LETTER END	F	E	D	C	B	A	POSN	PART NUMBER
△3	3	3	73.66 [2.900]	33.02 [1.300]	13	81.89 [3.224]	92.71 [3.650]	100.33 [3.950]	42	5532901-3
△2	2	2	73.66 [2.900]	48.26 [1.900]	19	81.89 [3.224]	92.71 [3.650]	100.33 [3.950]	60	5532901-2

RECOMMENDED PC BOARD LAYOUT △

THIS DRAWING IS A CONTROLLED DOCUMENT.

DIMENSIONS: mm [INCHES]

TOLERANCES UNLESS OTHERWISE SPECIFIED:

0 PLC	±	-
1 PLC	±	0.13[.005]
2 PLC	±	0.13[.005]
3 PLC	±	0.13[.005]
4 PLC	±	0.13[.005]
ANGLES	±	-

MATERIAL △2 △3 FINISH △3

STE TE Connectivity

ASSEMBLY, RECEPTACLE, RIGHT ANGLE, HDI, LEAD-FREE, 3 ROW, WITHOUT GUIDES, 4.57[.180] SOLDER POSTS, 60+4 POSITION

SIZE: A1 CAGE CODE: 00779 DRAWING NO: 5532901

SCALE: 4:1 SHEET: 1 OF 1 REV: A