

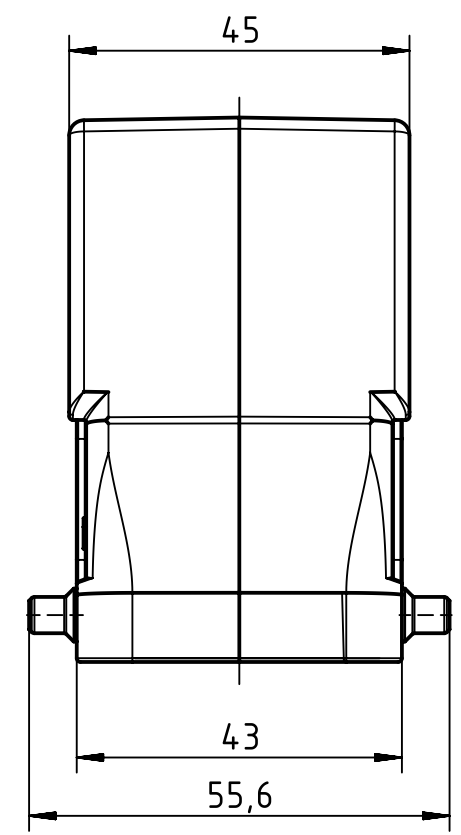
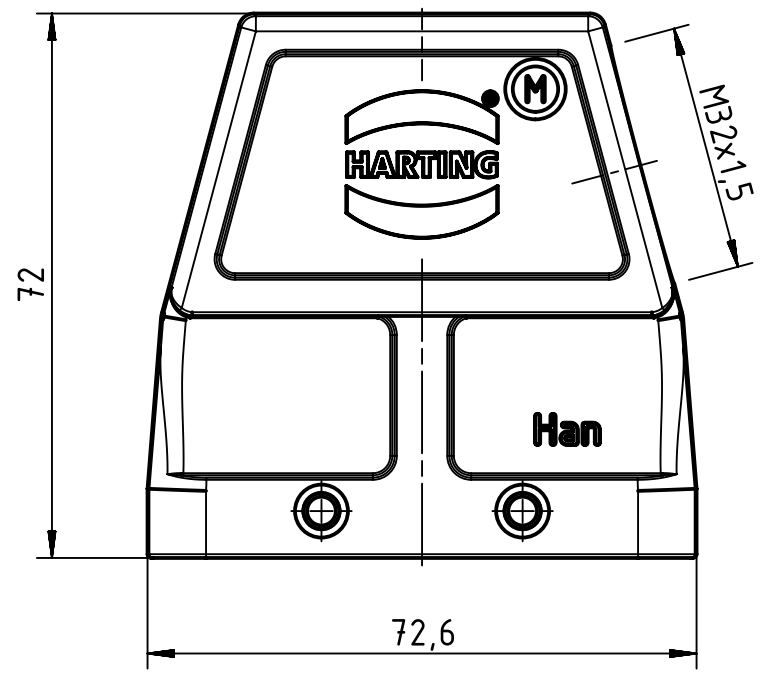
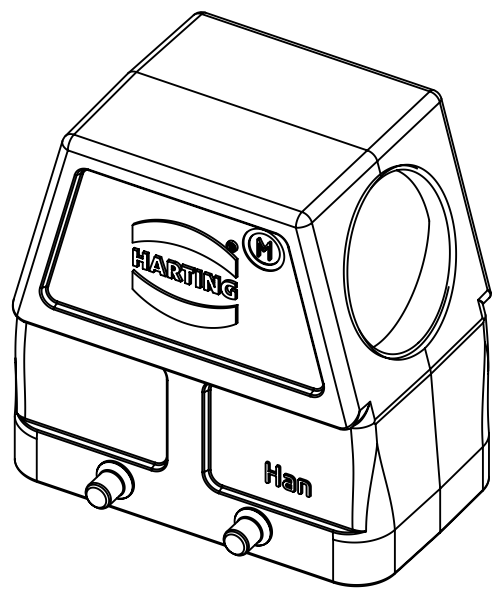
1 2 3 4 5 6

A

B

C

D



	All Dimensions in mm Original Size DIN A4		Scale 1:1	Free size tol.		Ref.	
						Sub.	
	All rights reserved		Created by SCHULZI	Inspected by MOOR	Standardisation TIEMANNA	Date 2014-10-29	State Final Release
	Department EL PD - DE		Title Han 10EMC/B-HSE-M32 (HT)			Doc-Key / ECM-Nr. 100233083/UGD/002/C 500000081229	
HARTING Electric GmbH & Co. KG D-32339 Espelkamp			Type TB	Number 19 62 810 0527		Rev. C	Page 1/1