

NOTES:
 1. MATERIAL:
 1.1 HOUSING: THERMOPLASTIC, HIGH TEMP., UL94V-0, COLOR:BLUE
 1.2 CONTACT: COPPER ALLOY
 1.3 SHELL: STAINLESS STEEL
 2. FINISH:
 2.1 CONTACT: PLS. SEE TABLE INFORMATION
 SOLDER TAIL PLATING: MATT TIN OVER NICKEL
 UNDERPLATING: NICKEL OVER ALL
 2.2 SHELL: NICKEL PLATING OVER ALL
 3. SPEC. PLS. REFER TO PS-48393-001
 4. PACKAGE PLS. REFER TO PK-48393-001
 5. LEAD FREE AND ROHS COMPLIANT PRODUCT
 6. DATE CODE

YEAR:1=2011
 MONTH:A(JAN).B(FEB)
 DATE:8-08

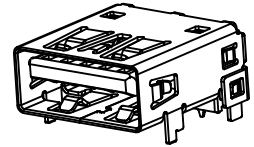
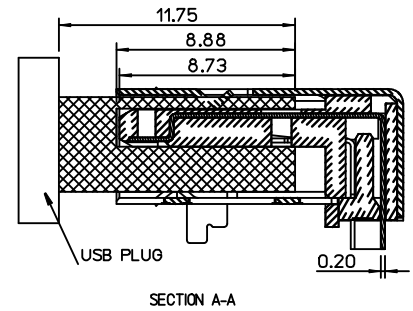
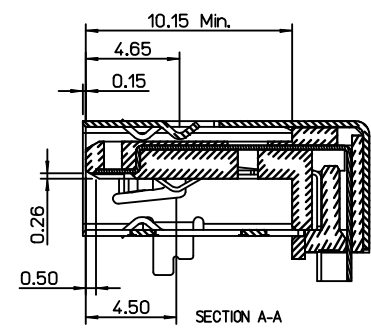
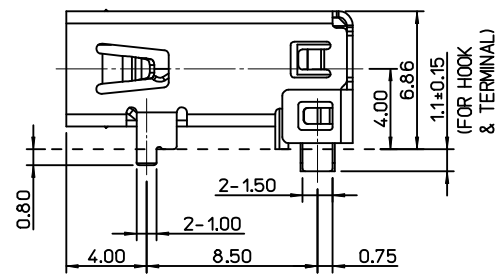
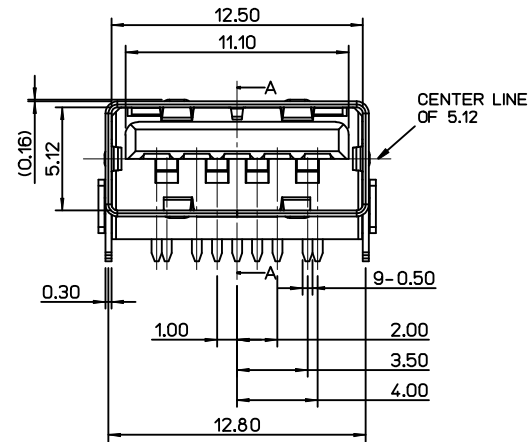
1 A 08 X X

REMARK
 PRODUCE PLACE

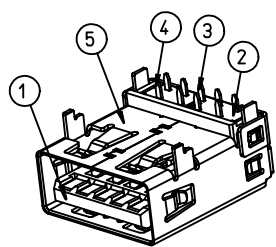
TABLE

PLATING	MOLEX P/N
30u GOLD	48393-0001
2u GOLD&30uPd-Ni	48393-0002
15u GOLD	48393-0003
GOLD FLASH(3u' MIN)	48393-0004

RECOMMEND PCB LAYOUT COMPONENT SIDE
 DEFAULT TOLERANCES ±0.05 P.C.B THICKNESS=1.20mm



5	METAL SHELL	STAINLESS STEEL
4	TERMINAL A	COPPER ALLOY
3	TERMINAL B	COPPER ALLOY
2	SPACER	THERMOPLASTIC
1	HOUSING	THERMOPLASTIC
No.	DESCRIPTION	MATERIAL



SHELL	SHIELD
9	STDA_SSTX+
8	STDA_SSTX-
7	GND_DRAIN
6	STDA_SSRX+
5	STDA_SSRX-
4	GND
3	D+
2	D-
1	VBUS
PIN NO.	SIGNAL NAME

RELEASE
 EC NO: DRWNFYANG05 2013/10/20
 CHKD: APPR:

QUALITY SYMBOLS	DESCRIPTION
F=0	
F=0	
F=0	

GENERAL TOLERANCES (UNLESS SPECIFIED)		DIMENSION STYLE	
		MM ONLY	
	mm		INCH
4 PLACES	±		
3 PLACES	±		
2 PLACES	±0.25		
1 PLACE	±0.25		
ANGULAR±3°			
DRAFT WHERE APPLICABLE MUST REMAIN WITHIN DIMENSIONS			

SCALE	DESIGN UNITS	THIRD ANGLE PROJECTION
1:1	METRIC	
TITLE USB 3.0 NORMAL A TYPE R/A T/H CH=4.00mm		
DRAWN BY: SKQI DATE: 2013/06/14		
CHECKED BY: SAM DATE: 2013/06/14		
APPROVED BY: JASON DATE: 2013/06/14		
MATERIAL NO. SEE TABLE		
DOCUMENT NO. SD-48393-001		SHEET NO. 1 OF 1
MOTEX MOLEX INCORPORATED		
THIS DRAWING CONTAINS INFORMATION THAT IS PROPRIETARY TO MOLEX INCORPORATED AND SHOULD NOT BE USED WITHOUT WRITTEN PERMISSION		