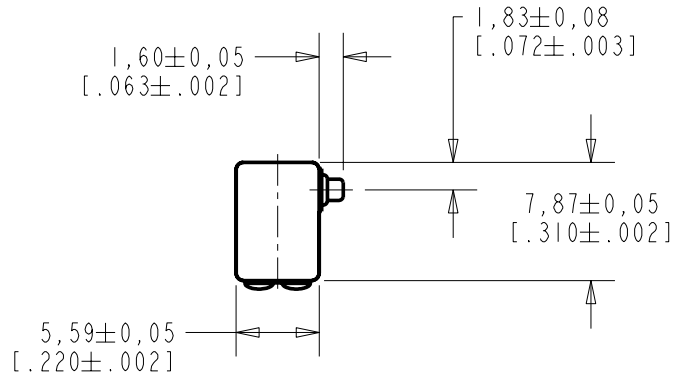
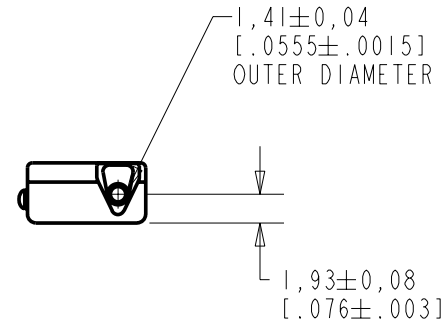
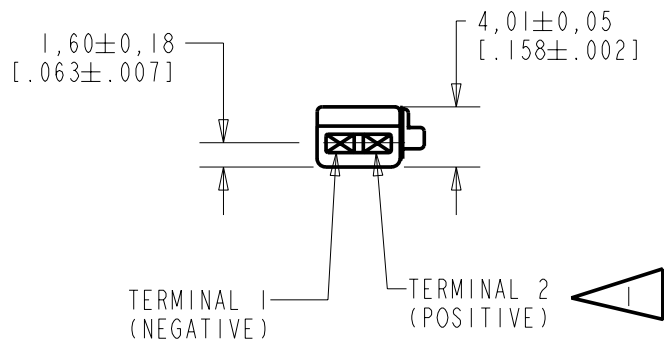


EF-26348-000
SHT 1.1



NOTES:

▲ A POSITIVE GOING VOLTAGE AT TERMINAL 2, RELATIVE TO TERMINAL 1, CAUSES A DECREASE IN PRESSURE AT THE SOUND OUTLET.



NOMINAL WEIGHT
.66 GRAM

DIMENSIONS IN MILLIMETERS [INCHES]

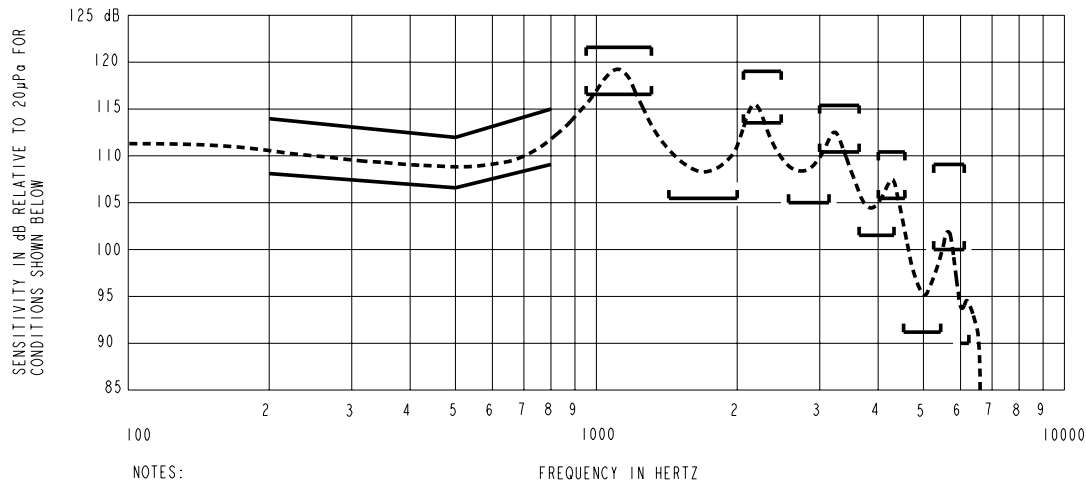
Revision	C.O. #	Implementation Date	RELEASE LEVEL	REVISION
A	C10103438	8-24-06	Released	A

SCALE:	2:1	DR. BY	DATE
DO NOT SCALE DRAWING		LSY	8-24-06
TITLE:	RECEIVER	GJP	9-2-06
	EF-26348-000	APP. BY	DATE
	OUTLINE DRAWING	GJP	9-2-06
	SHT 1.1		

KNOWLES ELECTRONICS
ITASCA, ILLINOIS U.S.A.

NO DAMPING

EF-26348-000
SHEET 2.1



NOTES:

1. MEASUREMENTS MADE USING 8mm (.315") X 1mm (.039") ID + 28mm (1.10") X 1.5mm (.059") ID EAR HOOK SIMULATOR INTO 25mm (.984") OF 2mm (.079") ID TUBE + 18mm (.709") OF 3mm (.118") ID TUBE + 2cm³ CAVITY (AS IEC126). (T-2607 AND B & K DB0138).

2. SENSITIVITY

FREQUENCY	MIN.	MAX.
200	108.0	114.0
500	106.5	112.5
800	109.0	115.0
950-1300	117.0	122.0
1500-2000	105.5	---
2100-2500	113.5	118.5
2600-3100	105.0	---
3000-3600	110.5	115.5
3600-4200	102.0	---
4000-4600	105.5	110.5
4700-5500	92.5	---
5300-6100	100.0	109.0
<6300	90.0	---

3. RESPONSE, IMPEDANCE, AND DISTORTION MEASUREMENTS MADE USING THE ELECTRICAL TEST CONDITIONS SHOWN BELOW.

4. INDIVIDUAL SPECIFICATIONS.

PORT LOCATION	IMPEDANCE OHMS ±15%		DCR @20°C OHMS ±10%	DISTORTION		ELECTRICAL SIGNAL SOURCE IMPEDANCE: <1		HIGH DRIVE T.H.D. SOURCE IMPEDANCE: <1		HIGH DRIVE T.H.D. DISTORTION			
	1KHz	500Hz		MAX. %	FREQ Hz	AC V RMS	DC mA	AC V RMS	DC mA	MAX. %	FREQ. Hz	MAX. %	FREQ. Hz
2S	155	69	39.1	5	500	0.14	0.0	0.44	0.0	8	500	20	350

KNOWLES ELECTRONICS
ITASCA, ILLINOIS U.S.A.

Revision	C.O. #	Implementation Date	RELEASE LEVEL	REVISION
A	C10103438	8-24-06	Released	A

WHEN TEST LIMITS ARE USED TO ESTABLISH INCOMING INSPECTION ACCEPTANCE/REJECTION CRITERIA, CORRELATION OF TEST EQUIPMENT WITH KNOWLES IS ALSO REQUIRED FOR ELIMINATION OF EQUIPMENT AND TEST METHOD VARIATION		DR. BY	DATE
		LSY	8-24-06
TITLE: RECEIVER		CK. BY	DATE
		GJP	9-2-06
PERFORMANCE SPECIFICATION		APP. BY	DATE
		GJP	9-2-06

EF-26348-000
SHT 2.1