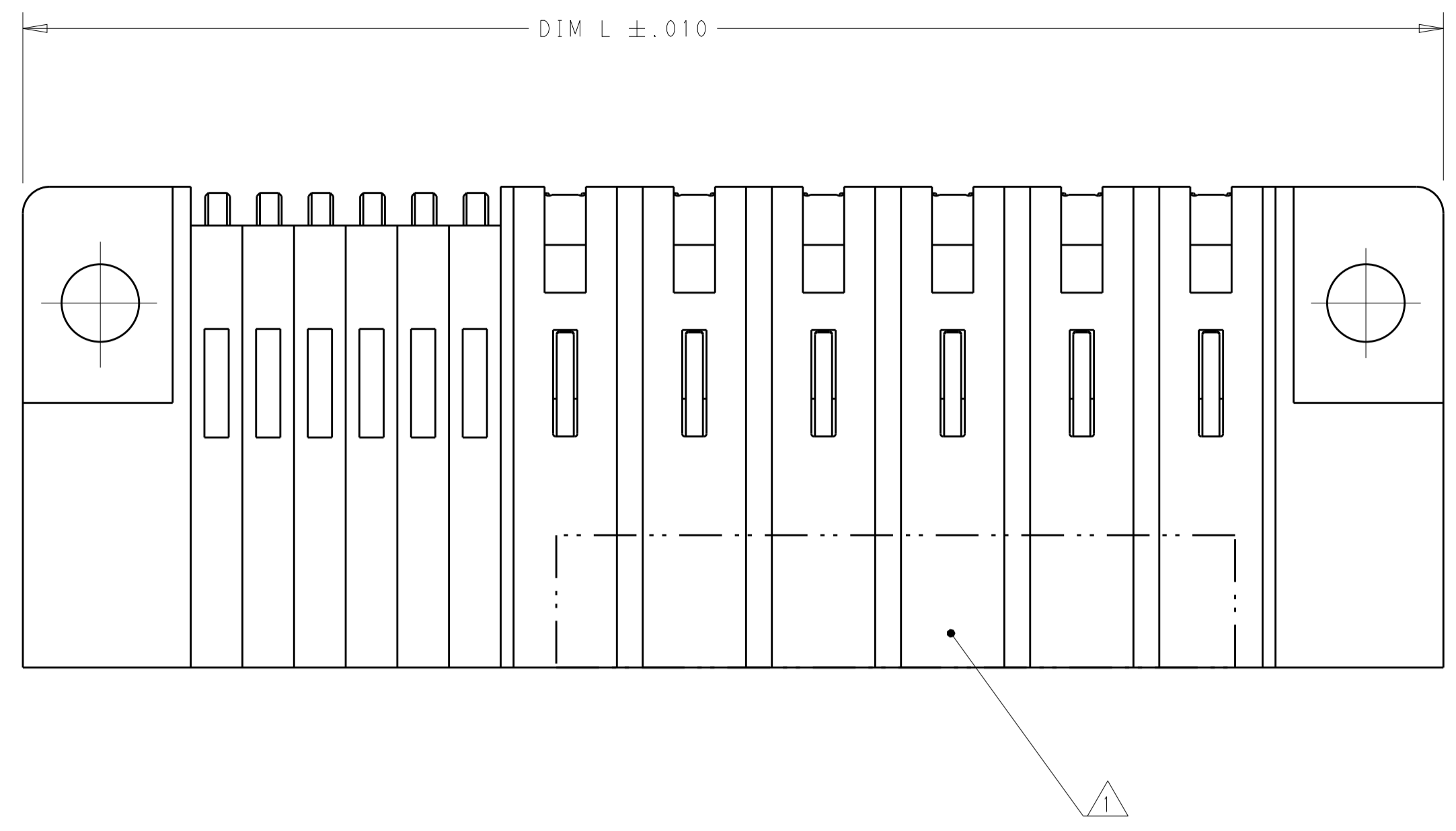
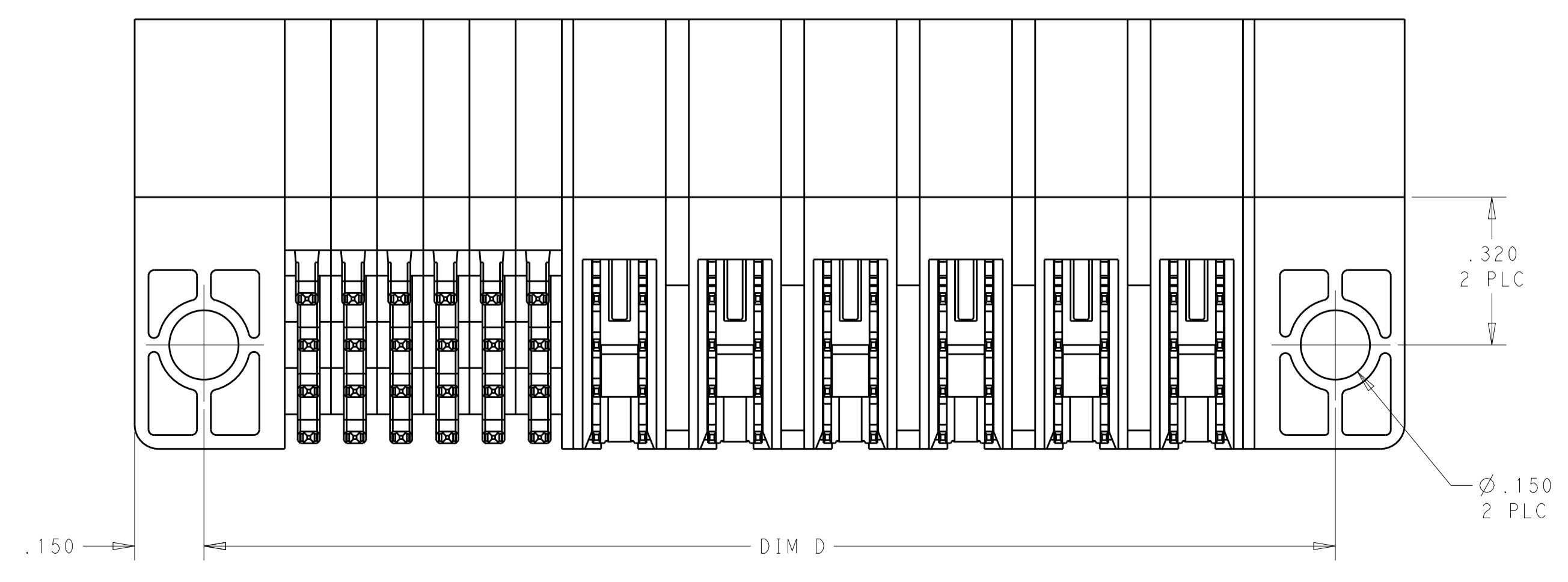
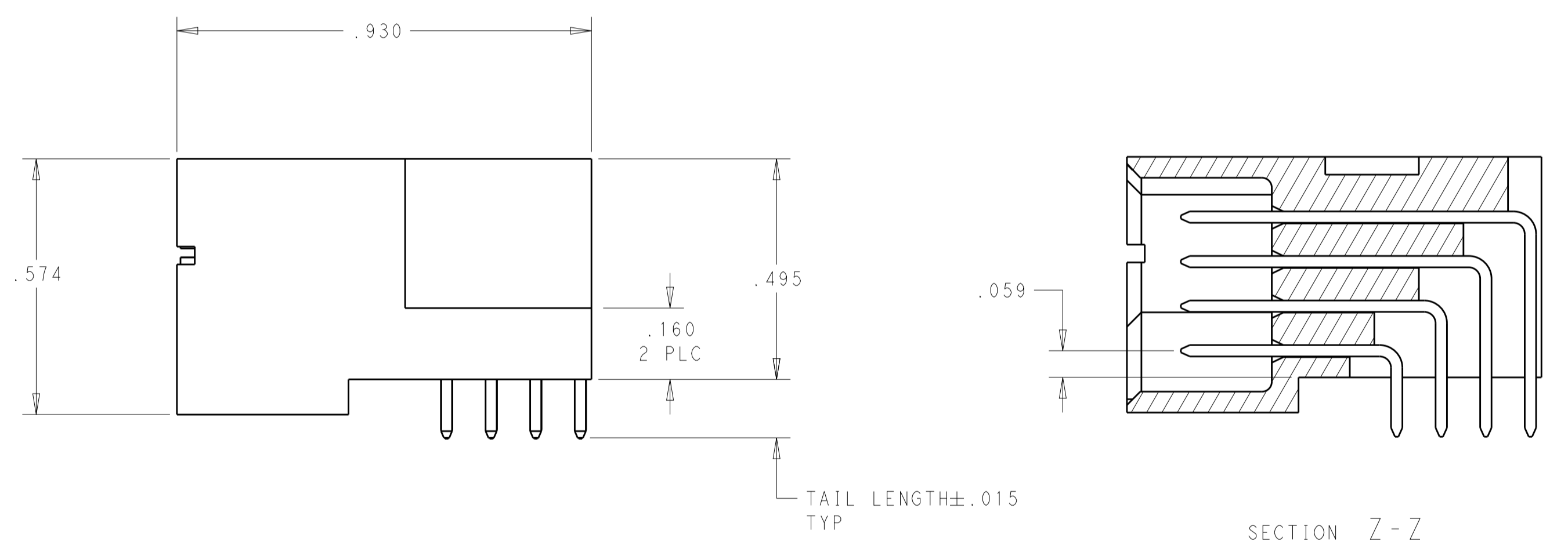
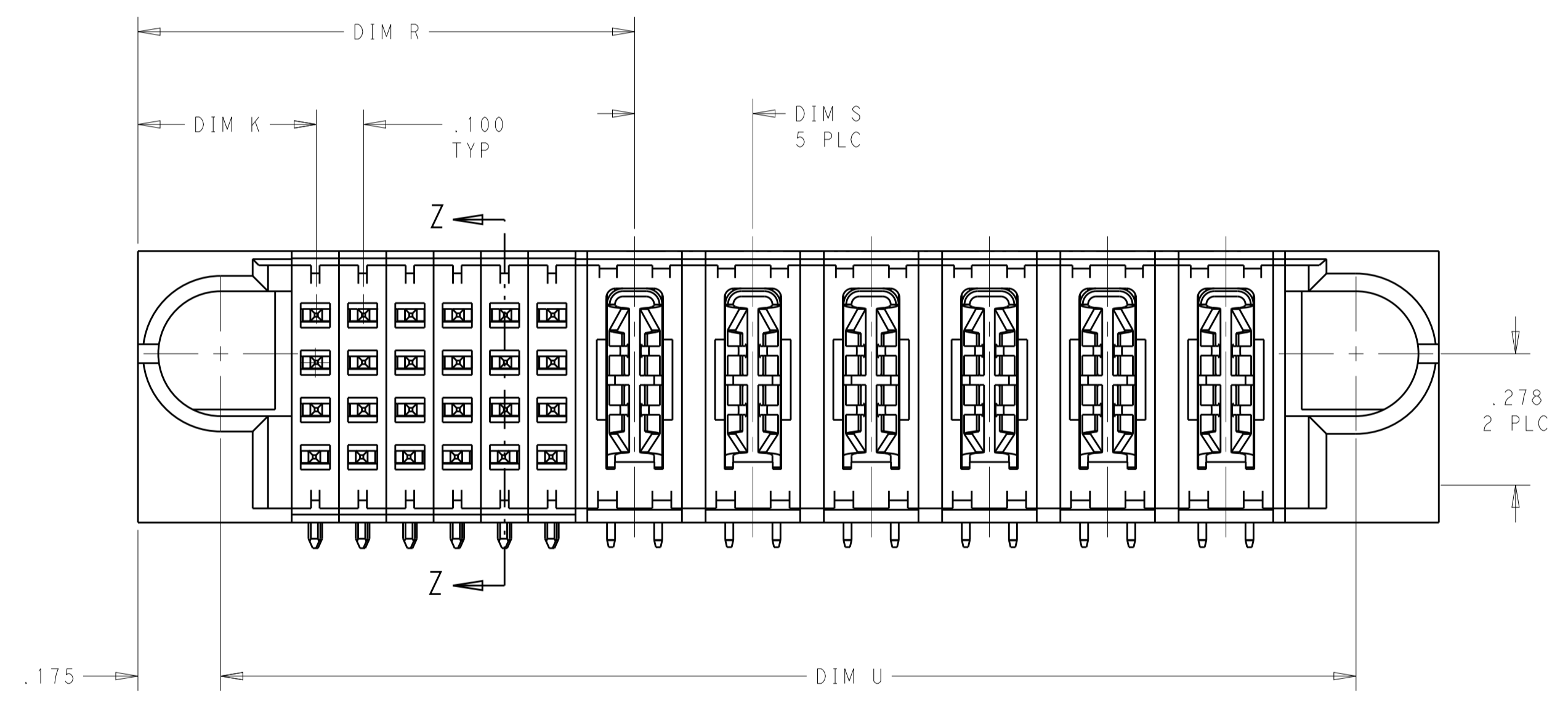


LOC		DIST		REVISIONS			
ES	00	P	LTN	DESCRIPTION	DATE	DWN	APVD
		B1		ADDED NEW DASH NUMBER -7.	10MAR2011	IL	SZ



- 1 "AMP," PART NUMBER AND DATE CODE TO BE MARKED IN AREA SHOWN.
- 2 MATERIAL:
 HOUSING - GLASS FILLED HIGH TEMP THERMO PLASTIC, UL94 V-0
 SIGNAL CONTACT - COPPER ALLOY
 POWER CONTACT - HIGH CONDUCTIVITY COPPER ALLOY
- 3 CONTACT PLATING: NOBLE METAL PLATING ON CONTACT FUNCTIONAL AREA OF POWER AND SIGNAL CONTACTS
- 4 MECHANICAL CONNECTOR KEEP OUT ZONE
- 5 DATUM AND BASIC DIMENSIONS ESTABLISHED BY CUSTOMER
- 6 PCB - ALL HOLE DIAMETERS ARE FINISHED HOLE SIZES
- 7 PCB - .045±.0010 DRILLED HOLES PLATED WITH .0003 MIN Sn OVER .001 TO .003 CU PLATING TO ACHIEVE A .040±.003 DIA HOLE

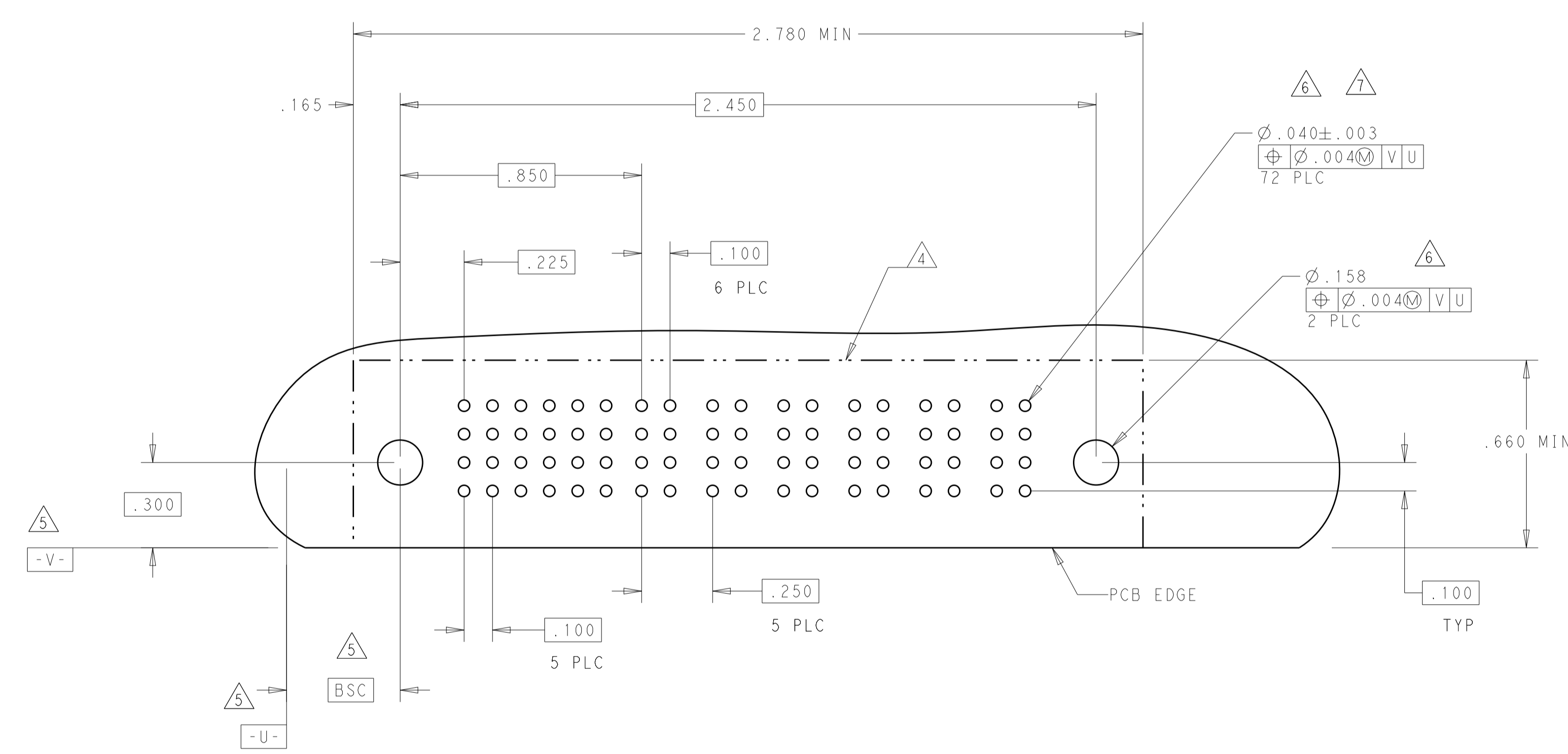


B1	DIM U	DIM S	DIM R	DIM D	DIM K	DIM L	DESCRIPTION	PART NUMBER
	4.350	-	2.150	4.400	.375	4.700	68S + 1P + 84S	6450321-7
	2.650	.250	1.050	2.700	.375	3.000	24S + 7P	6450321-6
	6.075	.200	1.375	6.125	.375	6.425	36S + 24P	6450321-4
	2.925	.200	1.025	2.975	.375	3.275	24S + 10P	6450321-3
	2.400	.250	1.050	2.450	.375	2.750	24S + 6P	6450321-1

DIMENSIONS: INCHES 		TOLERANCES UNLESS OTHERWISE SPECIFIED: 0 PLC ±. 1 PLC ±.01 2 PLC ±.01 3 PLC ±.005 4 PLC ±.0020 ANGLES ±.020		DWN Denny Zhu 29JAN2007 CHK Sunny Zhao 29JAN2007 APVD S. YAO PRODUCT SPEC 108-1973 APPLICATION SPEC 114-13038 WEIGHT CUSTOMER DRAWING		Tyco Electronics Incorporated Shanghai, P.R. China, 200233 NAME RIGHT ANGLE SOLDER HEADER ASSEMBLY MULTI-BEAM, XL SIZE CAGE CODE DRAWING NO. A11 00779 ©=6450321 RESTRICTED TO	
MATERIAL 		FINISH 		SCALE 4:1 SHEET 1 OF 6 REV B2			

LOC	DIST	REVISIONS			
P	LTN	DESCRIPTION	DATE	DMN	APVD
-	-	SEE SHEET 1	-	-	-

ASSY PART NUMBER	ROWS	SIGNAL						POWER					
		1	2	3	4	5	6	P1	P2	P3	P4	P5	P6
6450321-1	D	J	J	J	J	J	J	PM	PM	PM	PM	PM	PM
	C	K	K	K	K	K	K	PM	PM	PM	PM	PM	PM
	B	N	N	N	N	N	N	PM	PM	PM	PM	PM	PM
	A	S	S	S	S	S	S	PM	PM	PM	PM	PM	PM
24S + 6P													



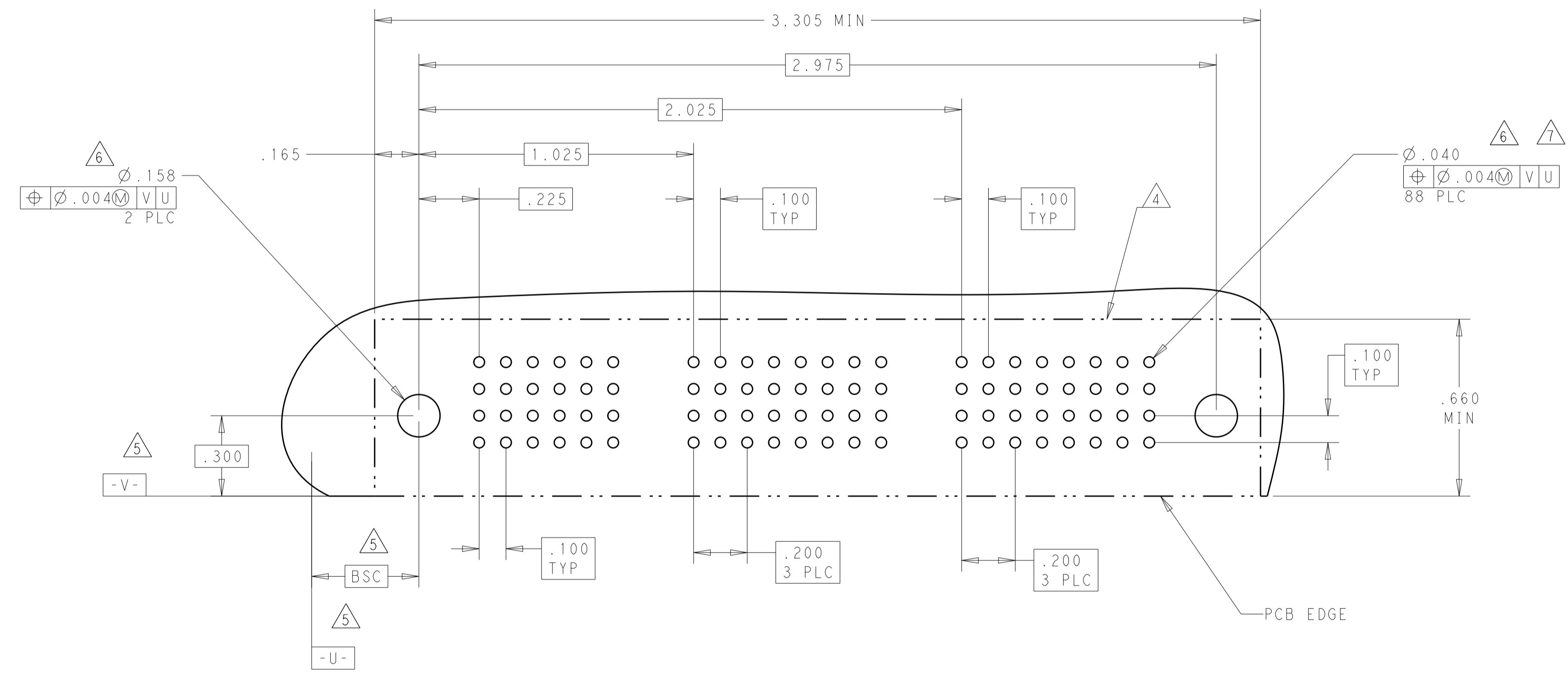
J	SIGNAL CONTACT, STD TAIL LENGTH .135	D
K	SIGNAL CONTACT, STD TAIL LENGTH .135	C
N	SIGNAL CONTACT, STD TAIL LENGTH .135	B
S	SIGNAL CONTACT, STD TAIL LENGTH .135	A
PM	POWER CONTACT, TAIL LENGTH .135	-
CODE	DESCRIPTION	ROW
CONTACT		

<small>THIS DRAWING IS UNPUBLISHED. RELEASED FOR PUBLICATION. IT IS THE PROPERTY OF TYCO ELECTRONICS CORPORATION. IT IS TO BE USED ONLY FOR THE PURPOSES AND IN THE QUANTITIES SPECIFIED IN THE ORDER. IT IS TO BE RETURNED TO TYCO ELECTRONICS CORPORATION UPON REQUEST.</small>		DMN: Denny Zhu CHK: Sunny Zhao APVD: S. YAO	DATE: 29JAN2007 PRODUCT SPEC: 108-1973 APPLICATION SPEC: 114-13038 WEIGHT: -	Tyco Electronics Tyco Electronics Incorporated Shanghai, P.R. China, 200233
DIMENSIONS: INCHES TOLERANCES UNLESS OTHERWISE SPECIFIED: 0 PLC ±. 1 PLC ±.01 2 PLC ±.01 3 PLC ±.005 4 PLC ±.0020 ANGLES ±.7° FINISH: -	NAME: RIGHT ANGLE SOLDER HEADER ASSEMBLY MULTI-BEAM, XL SIZE: A1 CAGE CODE: 00779 DRAWING NO: 6450321 RESTRICTED TO: -	CUSTOMER DRAWING SCALE: 4:1 SHEET: 2 OF 6 REV: B2		

LOC	DIST	REV	DATE	BY	CHKD	APVD
ES	00					
REVISIONS						

ASSY PART NUMBER	ROWS	SIGNAL						POWER											
		1	2	3	4	5	6	P1	P2	P3	P4	P5	P6	P7	P8	P9	P10		
6450321-3	D C B A	J	J	J	J	J	J												
		K	K	K	K	K	K												
		N	N	N	N	N	N												
		S	S	S	S	S	S												
24S + 10P																			

NO CONTACT LOADED

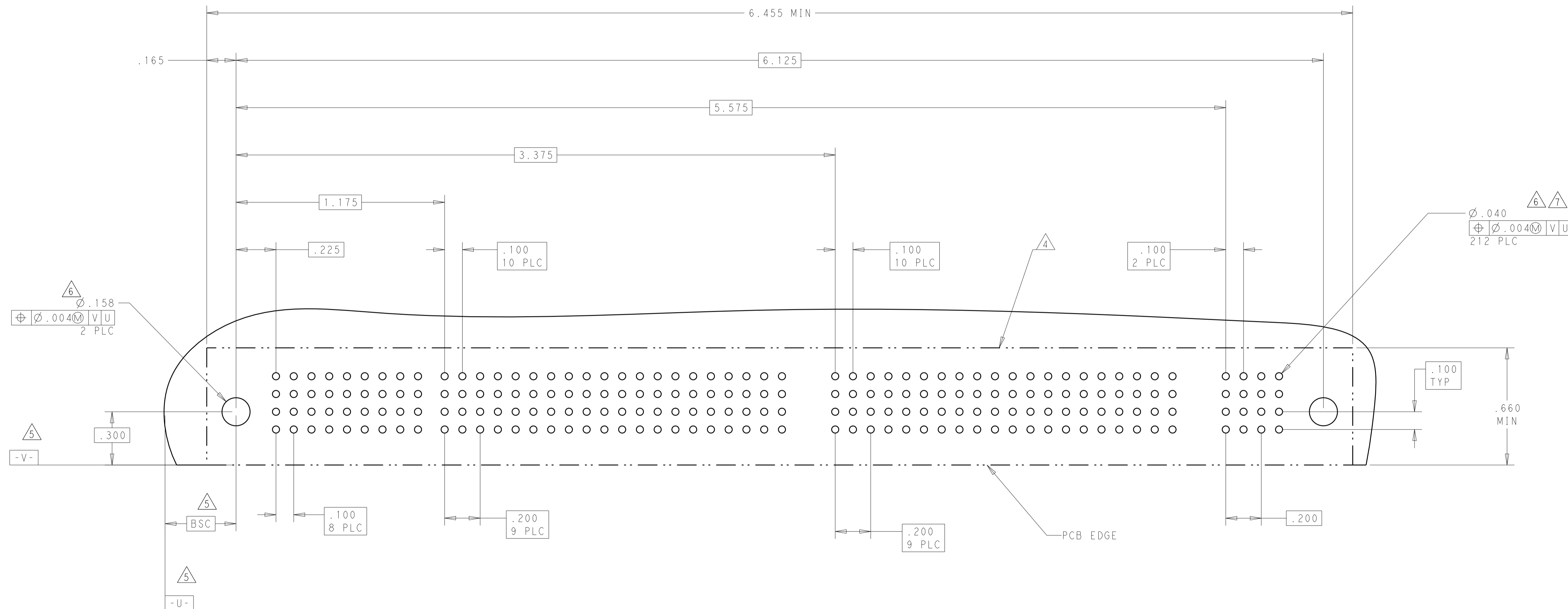


<small>THIS DRAWING IS UNPUBLISHED. RELEASED FOR PUBLICATION. IT IS THE PROPERTY OF TYCO ELECTRONICS CORPORATION AND IS TO BE CONTROLLED THROUGHOUT THE ENTIRE ORGANIZATION. IT IS TO BE KEPT IN CONFIDENTIALITY AND NOT TO BE REPRODUCED OR TRANSMITTED IN ANY FORM OR BY ANY MEANS, ELECTRONIC OR MECHANICAL, INCLUDING PHOTOCOPYING, RECORDING, OR BY ANY INFORMATION STORAGE AND RETRIEVAL SYSTEM, WITHOUT THE WRITTEN PERMISSION OF TYCO ELECTRONICS CORPORATION.</small>		DWN: Denny Zhu 29JAN2007 CHK: Sunny Zhao 29JAN2007 APVD: S. YAO	Tyco Electronics Incorporated Shanghai, P.R. China, 200233
DIMENSIONS: INCHES	TOLERANCES UNLESS OTHERWISE SPECIFIED: 0 PLC ±. 1 PLC ±.01 2 PLC ±.01 3 PLC ±.005 4 PLC ±.0020 ANGLES ±.7° FINISH	NAME: RIGHT ANGLE SOLDER HEADER ASSEMBLY MULTI-BEAM, XL PRODUCT SPEC: 108-1973 APPLICATION SPEC: 114-13038 WEIGHT: - MATERIAL: -	SIZE: A1 CAGE CODE: 00779 DRAWING NO: 6450321 RESTRICTED TO: -
CUSTOMER DRAWING		SCALE: 4:1 SHEET: 3 OF 6 REV: B2	

LOC	DIST	REVISIONS					
		P	LTN	DESCRIPTION	DATE	DWN	APVD
ES	00	-	-	SEE SHEET 1	-	-	-

ASSY PART NUMBER	ROWS	SIGNAL									POWER																					
		1	2	3	4	5	6	7	8	9	P1	P2	P3	P4	P5	P6	P7	P8	P9	P10	P11	P12	P13	P14	P15	P16	P17	P18	P19	P20	P21	P22
6450321-4	D	J	J	J	J				J	J	PM	PM	PM	PM	PM	PM	PM	PM	PM	PM	PM	PM	PM	PM	PM	PM	PM	PM	PM	PM	PM	PM
	C	K	K	K	K				K	K																						
	B	N	N	N	N				N	N																						
	A	S	S	S	S				S	S																						
36S + 24P																																

NO CONTACTS LOADED

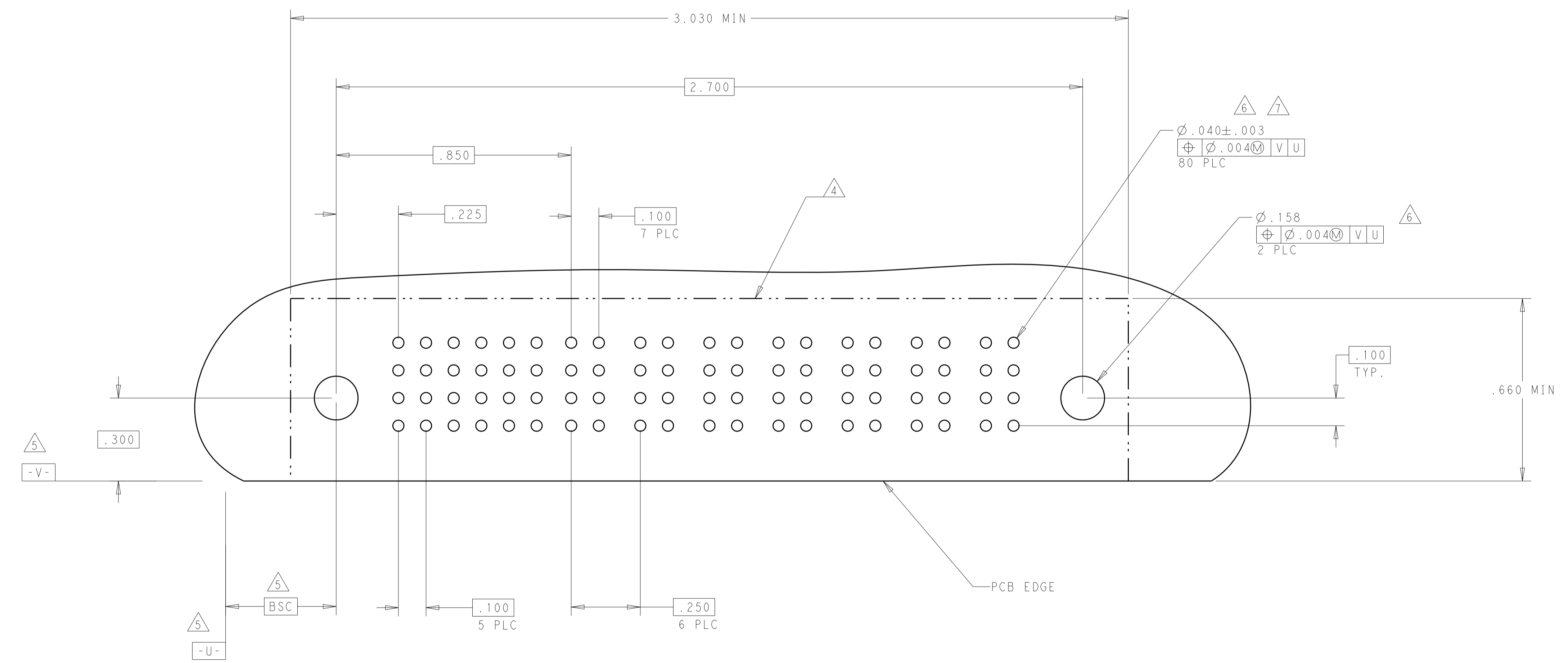


DIMENSIONS: INCHES 		TOLERANCES UNLESS OTHERWISE SPECIFIED: 0 PLC ±. 1 PLC ±.01 2 PLC ±.01 3 PLC ±.005 4 PLC ±.0020 ANGLES ±.7° FINISH		DWN Denny Zhu 29JAN2007 CHK Sunny Zhao 29JAN2007 APVD S. YAO		Tyco Electronics Incorporated Shanghai, P.R. China, 200233	
MATERIAL:		FINISH:		NAME: RIGHT ANGLE SOLDER HEADER ASSEMBLY MULTI-BEAM, XL		SIZE: A CAGE CODE: 00779 DRAWING NO: 6450321	
WEIGHT:		RESTRICTED TO:		SCALE: 4:1 SHEET: 4 OF 6 REV: B2		CUSTOMER DRAWING	

LOC	DIST	REV	DATE	BY	CHKD	APVD
ES	00					

REVISIONS			
NO.	DESCRIPTION	DATE	BY
1	SEE SHEET 1		

ASSY PART NUMBER	ROWS	SIGNAL						POWER							
		1	2	3	4	5	6	P1	P2	P3	P4	P5	P6	P7	
6450321-6	D	J	J	J	J	J	J	PM	PM	PM	PM	PM	PM	PM	
	C	K	K	K	K	K	K	PM	PM	PM	PM	PM	PM		
	B	N	N	N	N	N	N	PM	PM	PM	PM	PM	PM		
	A	S	S	S	S	S	S	PM	PM	PM	PM	PM	PM		
24S + 7P															

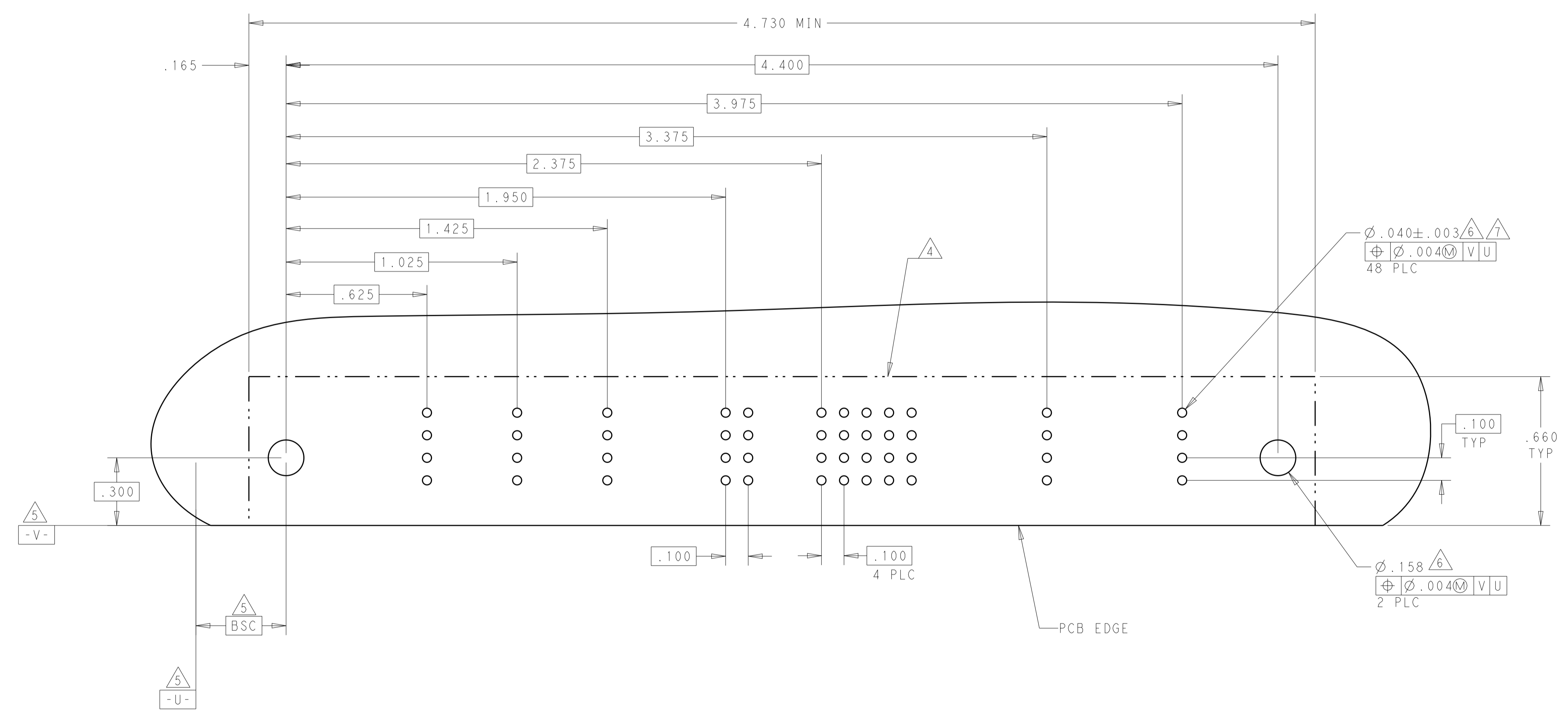


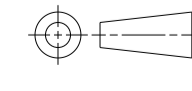
<small>THIS DRAWING IS UNPUBLISHED. RELEASED FOR PUBLICATION. IT IS THE PROPERTY OF TYCO ELECTRONICS CORPORATION. IT IS SUBJECT TO CHANGE AND WITHOUT WARRANTY. REVISIONS SHOULD BE CONTACTED FOR THE LATEST VERSION.</small>		DWN: Denny Zhu 29JAN2007 CHK: Sunny Zhao 29JAN2007 APVD: S. YAO	Tyco Electronics Incorporated Shanghai, P.R. China, 200233
DIMENSIONS: INCHES	TOLERANCES UNLESS OTHERWISE SPECIFIED: 0 PLC ±. 1 PLC ±.01 2 PLC ±.01 3 PLC ±.005 4 PLC ±.002 ANGLES ±.020	NAME: RIGHT ANGLE SOLDER HEADER ASSEMBLY MULTI-BEAM, XL PRODUCT SPEC: 108-1973 APPLICATION SPEC: 114-13038 WEIGHT: -	SIZE: A1 CAGE CODE: 00779 DRAWING NO: 6450321 RESTRICTED TO: -
MATERIAL: - FINISH: -		CUSTOMER DRAWING	SCALE: 4:1 SHEET: 5 OF 6 REV: B2

LOC	DIST	REVISIONS					
		P	LTN	DESCRIPTION	DATE	DMN	APVD
ES	00	-	-	SEE SHEET 1	-	-	-

PART NUMBER	ROWS	SIGNAL																	POWER	SIGNAL																																	
		1	2	3	4	5	6	7	8	9	10	11	12	13	14	15	16	17		1	18	19	20	21	22	23	24	25	26	27	28	29	30	31	32	33	34	35	36	37	38												
6450321-7	D				J				J				J					PM			J	J	J	J	J							J				J																	
	C				K				K				K								K	K	K	K	K					K				K																			
	B				N				N				N								N	N	N	N	N					N				N																			
	A				S				S				S								S	S	S	S	S					S				S																			
68S + 1P + 84S																																																					

B1



DIMENSIONS: INCHES 		TOLERANCES UNLESS OTHERWISE SPECIFIED: 0 PLC ±. 2 PLC ±.01 3 PLC ±.005 4 PLC ±.0020 ANGLES ±.2°		DWN Denny Zhu 29JAN2007 CHK Sunny Zhao 29JAN2007 APVD S. YAO		Tyco Electronics Incorporated Shanghai, P.R. China, 200233	
MATERIAL: - FINISH: -		WEIGHT: - SCALE: 4:1		NAME: RIGHT ANGLE SOLDER HEADER ASSEMBLY MULTI-BEAM, XL PRODUCT SPEC: 108-1973 APPLICATION SPEC: 114-13038		SIZE: A1 CAGE CODE: 00779 DRAWING NO: 6450321	
CUSTOMER DRAWING				SHEET 6 OF 6 REV B2		RESTRICTED TO: -	