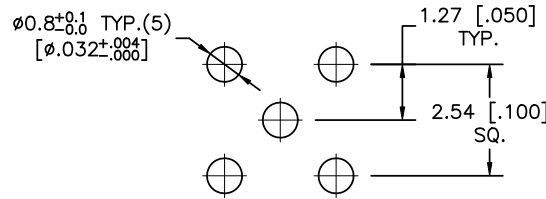


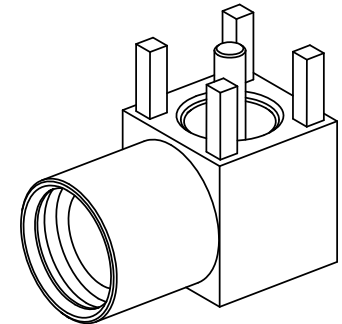
NOTES:

1. ELECTRICAL:
 - A. IMPEDANCE: 50 OHM
 - B. FREQUENCY RANGE: DC - 6 GHz
 - C. DIELECTRIC WITHSTANDING VOLTAGE: 500 VRMS, MIN.
2. MECHANICAL:
 - A. DURABILITY: 500 CYCLES MIN.
 - B. TEMPERATURE RANGE: -65 °C TO +165 °C

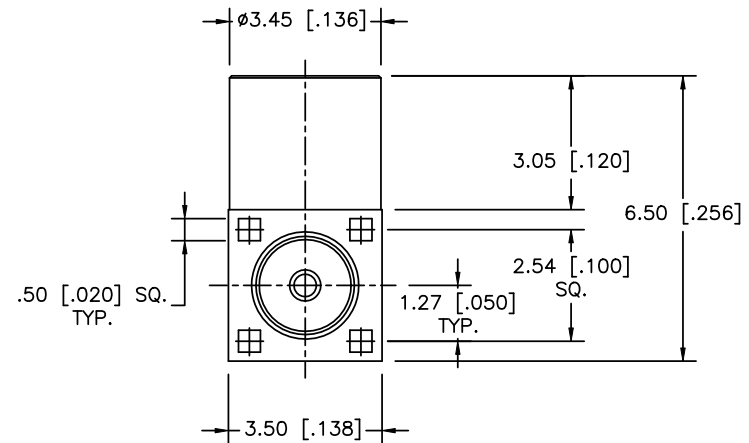
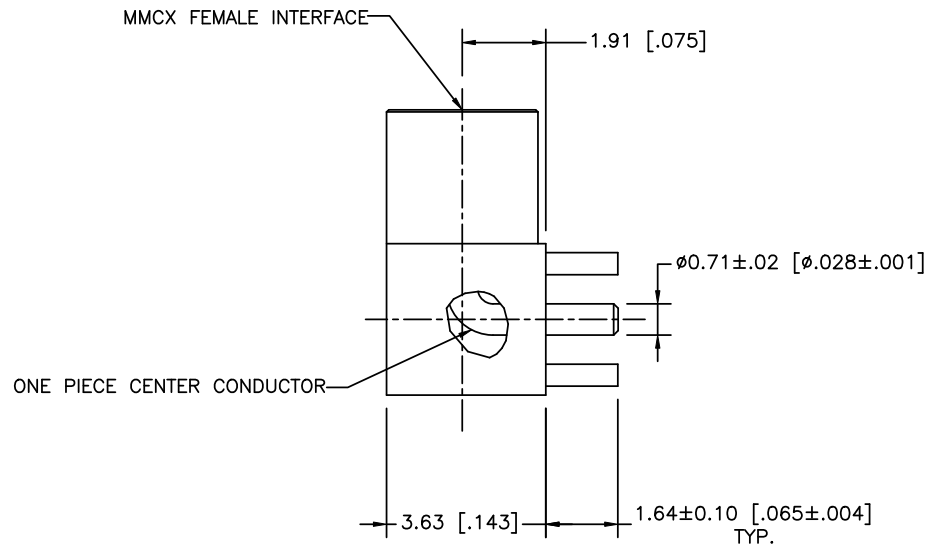
REV.	DATE	ECR NO.	DESCRIPTION
NC	01/18/12	XXXXXX	INITIAL RELEASE
A	01/30/12	XXXXXX	REVISED LEGS/CONTACT LENGTH, ADDED $\phi 0.8 \pm 0.1$ TYP.(5)



RECOMMENDED MOUNTING PATTERN



SCALE 1.000



QTY	DESCRIPTION	MATERIAL	FINISH
3	CONTACT PIN	BER. COPPER	GOLD
2	INSULATOR	PTFE	NATURAL
1	BODY	BRASS	GOLD

UNLESS OTHERWISE SPECIFIED DIMENSIONS ARE IN MILLIMETERS. DIMENSIONS IN [] ARE IN INCHES AND FOR CUSTOMER REFERENCE ONLY. UNLESS OTHERWISE SPECIFIED TOLERANCES FOR MILLIMETERS ARE: 0.5 - 8mm ± 0.20mm 8 - 30mm ± 0.40mm 30 - 120mm ± 0.50mm UNLESS OTHERWISE SPECIFIED TOLERANCES FOR INCHES ARE: .020 - .315 = ± 0.007" .315 - 1.180 = ± 0.015" 1.180 - 4.724 = ± 0.020"	APPROVALS	DATE	
	DRAWN	T.DENG	01/30/12
	CHECKED		
	ISSUED		
	SHEET	1 OF 1	
CAD FILE		C:/CONNEX/262105-11.DWG	

Amphenol Connex			
PART DESCRIPTION			
MMCX R/A P.C.B JACK			
PART NO.			
262105-11			
DWG. NO.	262105-11.DWG	REV. A	SIZE A
			SCALE NA